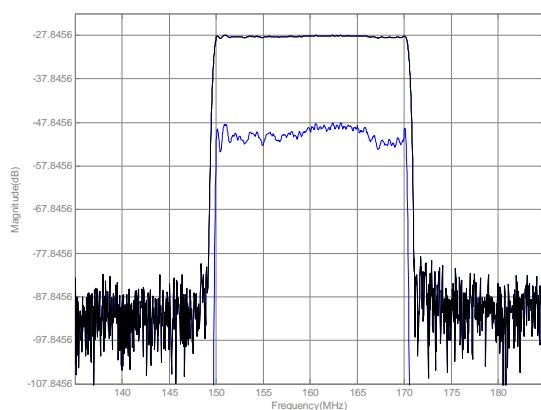




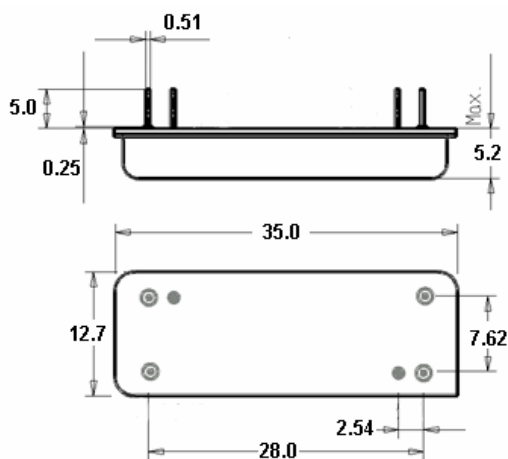
## LBN16008 SAW Filter Electrical Characteristic

<i>Specifications</i>				
Parameter	Unit	Minimum	Typical	Maximum
<b>Center Frequency</b>	MHz	159.85	160	160.15
<b>Insertion Loss</b>	dB	-	27.8	29
<b>1 dB Bandwidth</b>	MHz	-	20.35	-
<b>3 dB Bandwidth</b>	MHz	20.5	20.62	-
<b>40 dB Bandwidth</b>	MHz	-	21.70	21.8
<b>50 dB Bandwidth</b>	MHz	-	21.85	-
<b>Passband Variation</b>	dB	-	0.5	1.0
<b>Absolute Delay</b>	usec	-	2.69	-
<b>Ultimate Rejection</b>	dB	50	55	-
<b>Substrate Material</b>		128 LiNbO3		
<b>Ambient Temperature</b>	°C	25		
<b>Package Size</b>		DIP3512 (35.0x12.7x5.2mm <sup>3</sup> )		

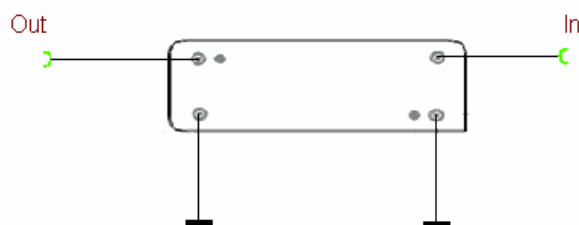
### *Typical Performance*



### *Package Outline*



### *Matching Configuration*



**Source/Load Impedance=50 ohm**

Notes - Component values may change depending on board layout.