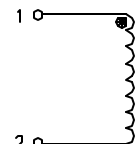


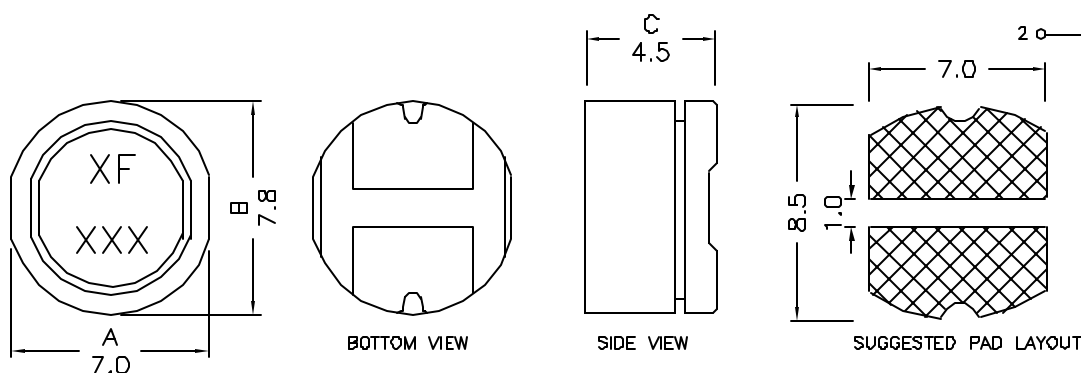
XFSDR74SH SERIES INDUCTORS

- * LOW PROFILE SMD TYPE FOR HIGH CURRENT APPLICATION
- * TAPE AND REEL PACKAGING FOR HIGH VOLUME MANUFACTURING
750 PCS PER 13" REEL
- * FOR DC/DC CONVERTERS, DC/AC INVERTERS, VRM APPLICATIONS
- * TEMP. RISE; 30°C TYPICAL ABOVE 60°C AMBIENT
- * OPERATING TEMP.: -20°C TO +90°C

Schematic:



Mechanical Dimensions:



TOP VIEW

UNLESS OTHERWISE SPECIFIED
 TOLERANCES:
 .xx ±0.30
 Dimensions in MM

| Part Number | INDUCTANCE uH (±20%) | Test Frequency (Hz) | Resistance DCR Ohm Max | Rated Current IDC Max (A) | Marking |
|---------------|-------------------------|---------------------------|------------------------------|------------------------------|---------|
| XFSDR74SH-100 | 10.0 | 1K | 0.084 | 1.65 | 100 |
| XFSDR74SH-120 | 12.0 | 1K | 0.084 | 1.57 | 120 |
| XFSDR74SH-150 | 15.0 | 1K | 0.096 | 1.39 | 150 |
| XFSDR74SH-180 | 18.0 | 1K | 0.120 | 1.29 | 180 |
| XFSDR74SH-220 | 22.0 | 1K | 0.156 | 1.12 | 220 |
| XFSDR74SH-270 | 27.0 | 1K | 0.192 | 1.06 | 270 |
| XFSDR74SH-330 | 33.0 | 1K | 0.216 | 0.97 | 330 |
| XFSDR74SH-390 | 39.0 | 1K | 0.216 | 0.91 | 390 |
| XFSDR74SH-470 | 47.0 | 1K | 0.324 | 0.80 | 470 |
| XFSDR74SH-560 | 56.0 | 1K | 0.348 | 0.76 | 560 |
| XFSDR74SH-680 | 68.0 | 1K | 0.396 | 0.68 | 680 |
| XFSDR74SH-820 | 82.0 | 1K | 0.516 | 0.62 | 820 |
| XFSDR74SH-101 | 100 | 1K | 0.588 | 0.55 | 101 |
| XFSDR74SH-121 | 120 | 1K | 0.816 | 0.49 | 121 |
| XFSDR74SH-151 | 150 | 1K | 1.128 | 0.44 | 151 |
| XFSDR74SH-181 | 180 | 1K | 1.200 | 0.40 | 151 |
| XFSDR74SH-221 | 220 | 1K | 1.416 | 0.36 | 221 |
| XFSDR74SH-271 | 270 | 1K | 1.560 | 0.33 | 271 |

Open Circuit inductance Test Parameters 1KHz 1V