

PLEASE CHECK WWW.MOLEX.COM FOR LATEST PART INFORMATION

Part Number: [0521170410](#)
Status: **Active**
Overview: [splash_proof](#)
Description: 2.50mm (.098") Pitch Splash Proof Wire-to-Wire Receptacle Housing, 4 Circuits

Documents:

[3D Model](#) [Product Specification PS-52117-006 \(PDF\)](#)
[Drawing \(PDF\)](#) [RoHS Certificate of Compliance \(PDF\)](#)
[Product Specification PS-52117-005 \(PDF\)](#)

General

Product Family Crimp Housings
 Series [52117](#)
 Overview [splash_proof](#)
 Product Name Splash Proof

Physical

Circuits (maximum) 4
 Color - Resin White
 Gender Receptacle
 Glow-Wire Compliant No
 Lock to Mating Part Yes
 Material - Resin Polyester
 Number of Rows 1
 Packaging Type Tray
 Panel Mount No
 Pitch - Mating Interface (in) 0.098 In
 Pitch - Mating Interface (mm) 2.50 mm
 Stackable No
 Temperature Range - Operating -40°C to +105°C

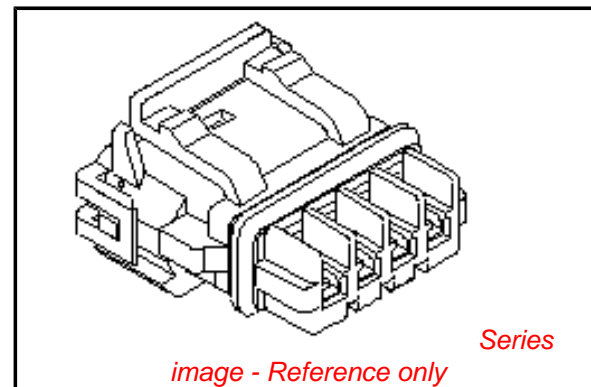
Electrical

Current - Maximum per Contact 3A

Material Info

Reference - Drawing Numbers

Packaging Specification SPK-52117-001
 Product Specification PS-52117-005, PS-52117-006
 Sales Drawing SD-52117-041*



EU RoHS

**ELV and RoHS
 Compliant**
REACH SVHC
 Not Reviewed
**Halogen-Free
 Status**

China RoHS



**Need more information on product
 environmental compliance?**

Email productcompliance@molex.com
 For a multiple part number RoHS Certificate of
 Compliance, [click here](#)

Please visit the [Contact Us](#) section for any
 non-product compliance questions.

Search Parts in this Series

[52117Series](#)

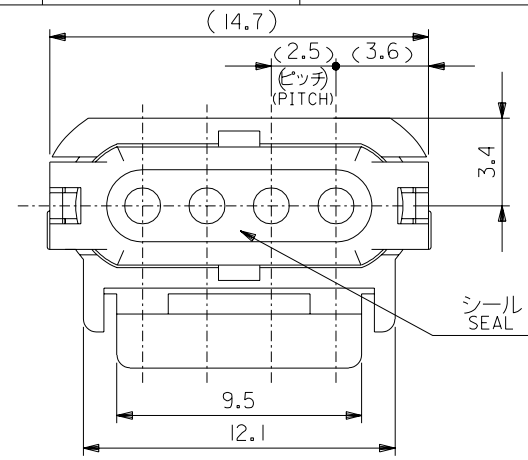
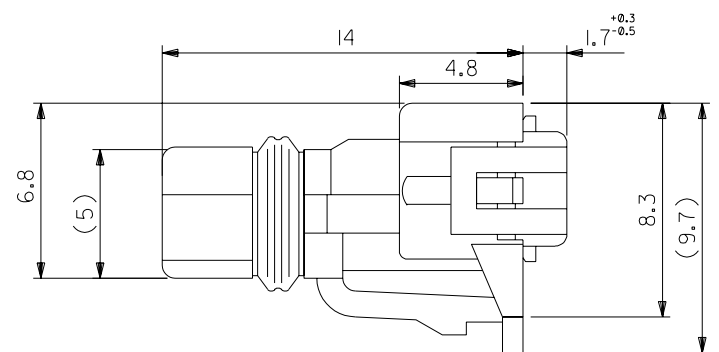
Mates With

[52116](#)

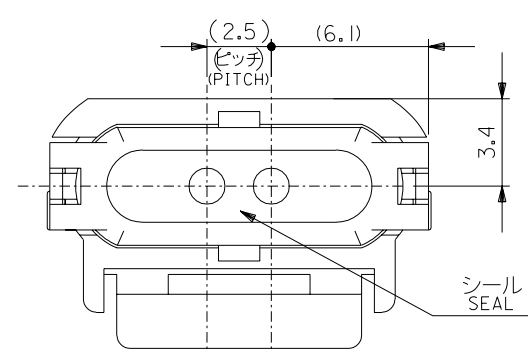
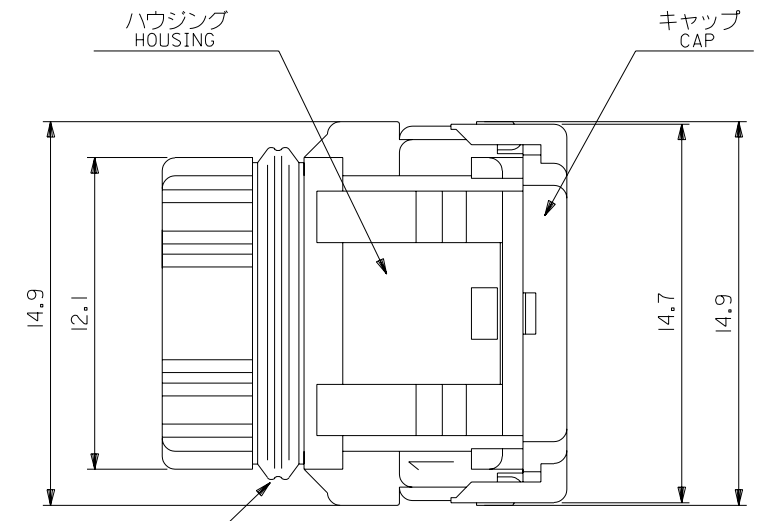
Use With

[50039](#)

DWG. NO. SD-52117-041*



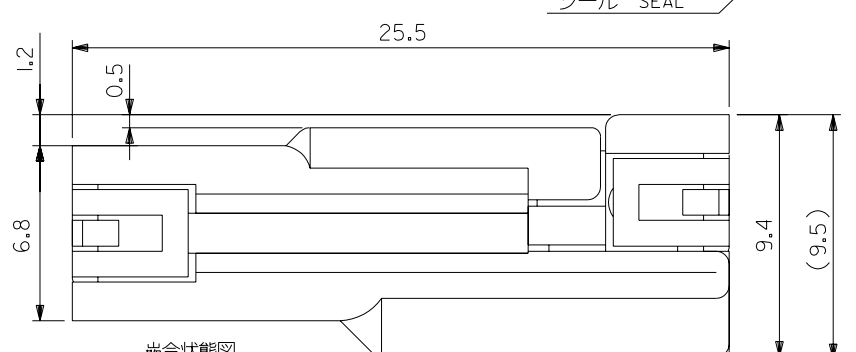
52117-0410, 52117-0411, 52117-0412



52117-0413

注記 NOTES

- 適合ターミナル: 50039-8*00
APPLICABLE TERMINAL: 50039-8*00
- 材料: MATERIAL:
 キャップ: ポリエステル (ガラス15%含有)
 CAP: POLYESTER (15%G.F.)
 ハウジング: ポリエステル (ガラス15%含有)
 HOUSING: POLYESTER (15%G.F.)
 シール: シリコンゴム
 SEAL: SILICONE
- 適合相手: 52116-041*
MATES WITH: 52116-041*



嵌合状態図 FULLY MATED CONDITION

AVS0.3, AWG#20-22	黒	BLACK	52117-0413
AVS0.3, AWG#20-22	赤	RED	52117-0412
AVS0.3, AWG#20-22	黒	BLACK	52117-0411
AVS0.3, AWG#20-22	白	WHITE	52117-0410
適用電線範囲 WIRE RANGE	ハウジングの色 HS'G COLOR		製品番号 ENG. NO.

材料 MATERIAL				注記参照 SEE NOTES				MATERIAL				MOLEX-JAPAN CO.,LTD. 日本モレックス株式会社			
仕上げ FINISH				//				適用電線範囲 表参照 WIRE RANGE SEE CHART				REVISE ONLY ON CAD SYSTEM			
角度 ANGLE				+3°				C 変更 (J2003-1723) REVISED				A.I			
30以上 OVER				+0.3				B 変更 (J45032) REVISED				Y.H.Y.1			
10以上 OVER 30未満 UNDER				+0.25				A 変更 (J90218)				Y.A.M.S			
10未満 UNDER				+0.2				0 新規作図 (J80600)				Y.A			
一般公差 GENERAL TOLERANCES				記号 LTR				変更内容 REVISION RECORD				DR. 日付 DATE			
												材料 MATERIAL			
												仕上げ FINISH			
												適用電線範囲 表参照 WIRE RANGE SEE CHART			
												被覆外径 INS. RANGE			
												φ 1.8-1.9			
												DRAWN BY 7/12/88			
												CHK'D BY '94/4/12			
												Y.ASHIZAWA M.SAKANO			
												DWG. NO.			
												SD-52117-041*			
												REV C			