

PLEASE CHECK WWW.MOLEX.COM FOR LATEST PART INFORMATION

Part Number: [0556592019](#)
Status: **Active**
Overview: [mini_mi_ii](#)
Description: 1.25mm (.049") Pitch Mini Mi II™ Wire-to-Wire Adapter, Dual Row, 20 Circuits, Lead-free

Documents:

[3D Model](#) [Product Specification PS-55659-005 \(PDF\)](#)
[Drawing \(PDF\)](#) [RoHS Certificate of Compliance \(PDF\)](#)

General

Product Family	Accessories
Series	55659
Comments	For Panel Mounting
Component Type	Adapter
Overview	mini_mi_ii
Product Name	Mini Mi II™

Physical

Circuits (Loaded)	20
Color - Resin	Natural
Gender	Male
Material - Metal	Brass
Material - Plating Mating	Tin
Material - Plating Termination	Tin
Material - Resin	Nylon
Number of Rows	2
Packaging Type	Bag
Plating min: Mating (µin)	40
Plating min: Mating (µm)	1.00
Plating min: Termination (µin)	40
Plating min: Termination (µm)	1.00
Temperature Range - Operating	-20°C to +80°C

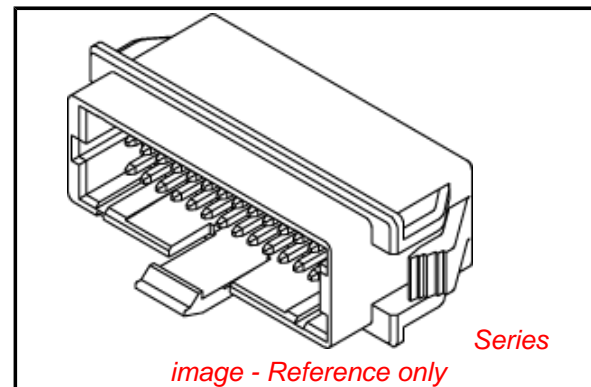
Electrical

Current - Maximum per Contact	1.5A
-------------------------------	------

Material Info

Reference - Drawing Numbers

Packaging Specification	SPK-55659-001
Product Specification	PS-55659-005
Sales Drawing	SD-55659-004



EU RoHS

**ELV and RoHS
Compliant**
**REACH SVHC
Contains SVHC: No**
**Halogen-Free
Status**

China RoHS



Not Reviewed

**Need more information on product
environmental compliance?**

Email productcompliance@molex.com
For a multiple part number RoHS Certificate of Compliance, [click here](#)

Please visit the [Contact Us](#) section for any non-product compliance questions.

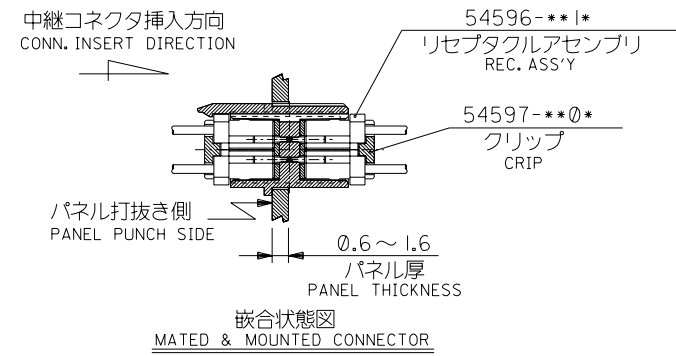
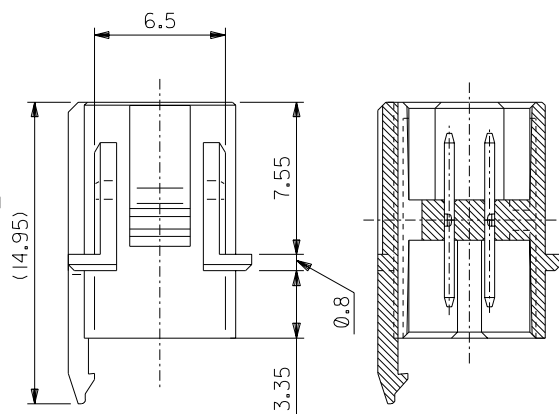
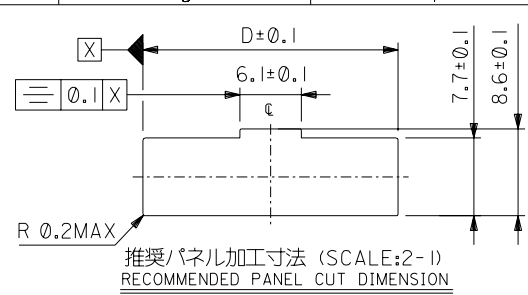
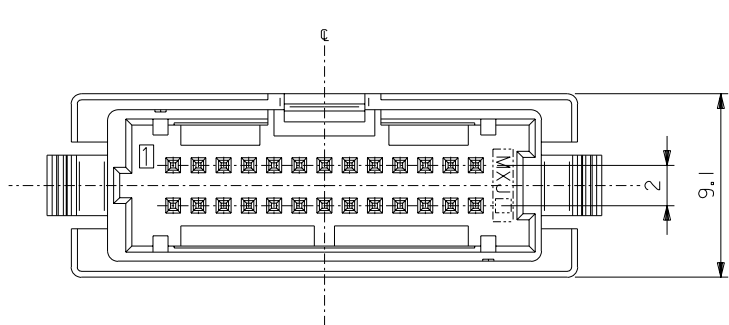
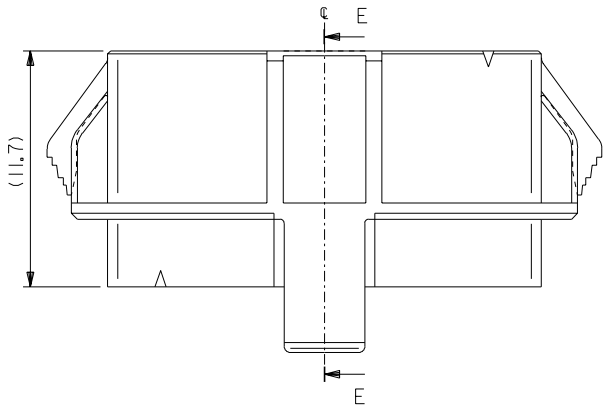
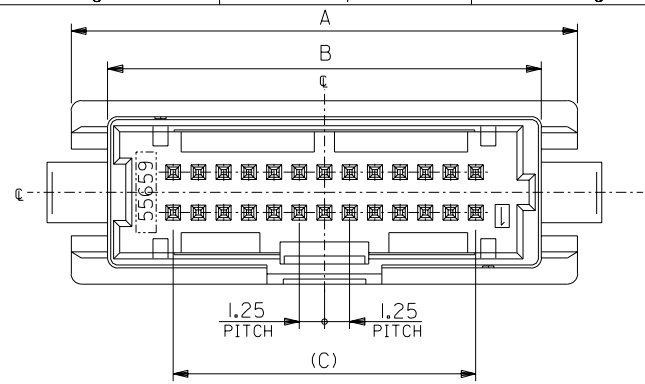
Search Parts in this Series

[55659Series](#)

Use With

[54596](#)

DWG. NO. SD-55659-004



- 注記
NOTES
- 材質
MATERIAL
ウエハー: ナイロン、UL-94V0
WAFER: NYLON, UL94-V0
ピン: 黄銅、スズメッキ
PIN: BRASS, PRE-TINNED
 - 嵌合相手
MATES WITH
リセプタクルアセンブリ: 54596-***I*
REC. ASS'Y: 54596-***I*
クリップ: 54597-***0*
CRIP: 54597-***0*
 - 本製品は 55659-***10 の鉛フリー品である。
THIS PRODUCT IS LEAD FREE OF 55659-***10.

34.05	23.75	30.25	33.85	40	55659-4019	55659-***19
32.8	22.5	29	32.6	38	55659-3819	
31.55	21.25	27.75	31.35	36	55659-3619	
30.3	20	26.5	30.1	34	55659-3419	
29.05	18.75	25.25	28.85	32	55659-3219	
27.8	17.5	24	27.6	30	55659-3019	
26.55	16.25	22.75	26.35	28	55659-2819	
25.3	15	21.5	25.1	26	55659-2619	
24.05	13.75	20.25	23.85	24	55659-2419	
22.8	12.5	19	22.6	22	55659-2219	
21.55	11.25	17.75	21.35	20	55659-2019	
20.3	10	16.5	20.1	18	55659-1819	
19.05	8.75	15.25	18.85	16	55659-1619	
17.8	7.5	14	17.6	14	55659-1419	
16.55	6.25	12.75	16.35	12	55659-1219	
15.3	5	11.5	15.1	10	55659-1019	
D	C	B	A	CKT	MATERIAL NO.	MODEL NO.

DO NOT SCALE DRAWING

EC NO. DRWN: CHK: APPR:	EC NO. DRWN: CHK: APPR:	EC NO. DRWN: CHK: APPR:	EC NO. DRWN: CHK: APPR:	新規格作成 RELEASED EC NO. J2004-4039 DRWN: M.NABEI CHK: K.TOJO APPR: M.SASAO	MATERIAL 材料	GENERAL TOLERANCES: (UNLESS SPECIFIED) 一般公差	SCALE 4-1	DESIGN UNITS <input checked="" type="checkbox"/> mm <input type="checkbox"/> INCH	THIRD ANGLE PROJECTION	DIMENSIONS: <input type="checkbox"/> mm <input type="checkbox"/> INCH <input type="checkbox"/> mm ONLY	SHT	REV
				0	SEE CHART	10 UNDER 未満 ±0.2	DRAWN BY & DATE M.NABEI '04/04/28					
					FINISH 仕上げ	10 OVER 30 UNDER 未満 ±0.25	CHECKED BY & DATE K.TOJO '04/04/28			TITLE: Mini MiII 2-ROW RELAY WAFER ASS'Y -LEAD FREE-		
					WIRE RANGE 適用電線範囲	30 OVER 以上 ±0.3	APPROVED BY & DATE M.SASAO '04/04/28			MOLEX MOLEX INCORPORATED		
					INS. RANGE 被覆外径	ANGLE 角度 ±3°	CAD FILENAME SD-55659-004.S01			MATERIAL NO. SEE CHART	DRAWING NO. SD-55659-004	SHEET NO. 1 OF 1
THIS DRAWING CONTAINS INFORMATION THAT IS PROPRIETARY TO MOLEX INCORPORATED AND SHOULD NOT BE USED WITHOUT WRITTEN PERMISSION.										SIZE B		

SD-55659-004.50