

KR 2413 400 Hz Bandpass Filter

General Description

KR 2413 is a 400 Hz bandpass filter. Other passband frequencies are available. Please consult the factory.

Features

- 400 Hz Center Frequency
- Passive Design

Typical Performance

Passband Amplitude
(1 dB/div)

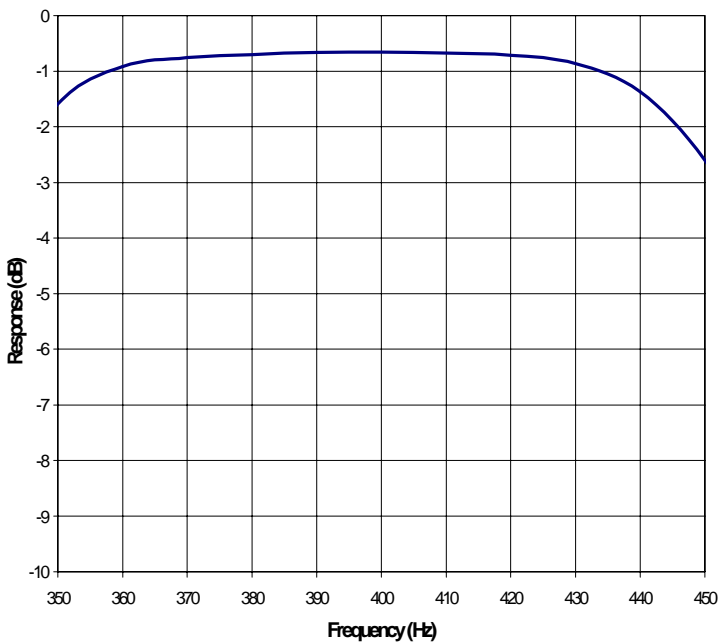


Figure 1

Overall Response
(6 dB/div)

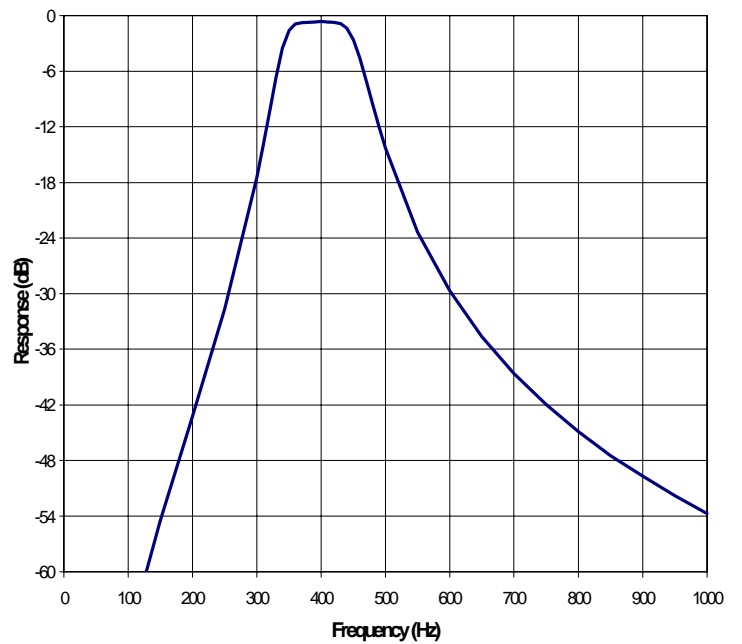


Figure 2

KR Electronics, Inc.
91 Avenel Street
Avenel, NJ 07001

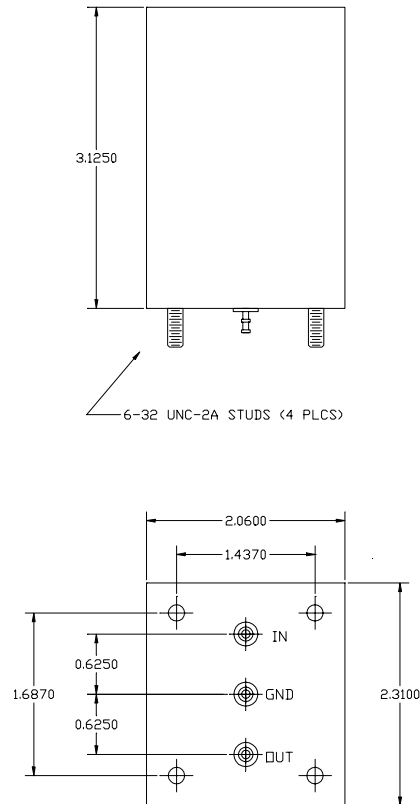
Web www.krfilters.com
Email sales@krfilters.com
Phone (732) 636-1900
Fax (732) 636-1982

KR 2413 Bandpass

Specifications

Parameter	Specification
Filter type	Bandpass
Insertion Loss	< 1.5 dB
Center Frequency	400 Hz
0.1 dB Bandwidth	> 40 Hz
3 dB Bandwidth	Approx 110 Hz
Attenuation at 200 Hz	> 40 dB
Attenuation at 800 Hz	> 40 dB
Source & Load	16,000 Ω

Physical Dimensions



KR Electronics, Inc.
 91 Avenel Street
 Avenel, NJ 07001

Web www.krfilters.com
 Email sales@krfilters.com
 Phone (732) 636-1900
 Fax (732) 636-1982