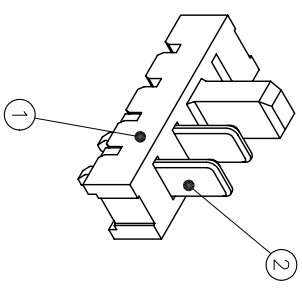
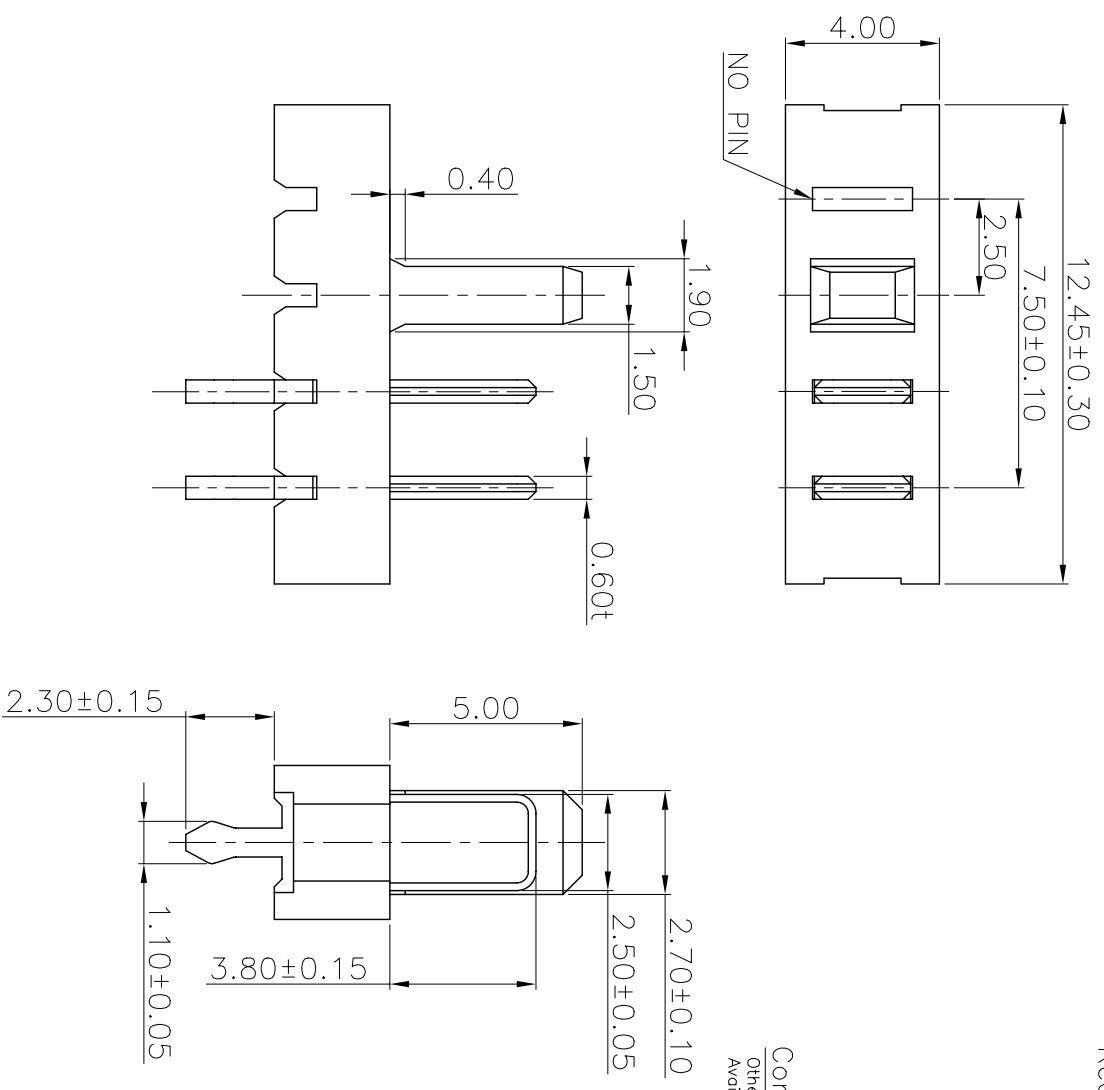
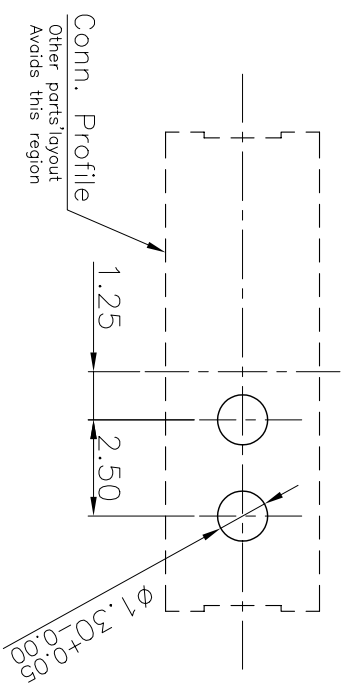


Recommended P.C.B. Layout (Component Side)



4			
3			
2	TERMINAL	Pho. Bronze	Gold water flash
1	HOUSING	High Temp Plastics	Black UL 94V-0
NO.	DESCRIPTION	MATERIAL	COLOR
			REMARK

SUWIN
CONNECTOR

CUSTOMER TITLE: 2.5m/m Battery Plug DIP Type
COPY

PART NO. 250133MS003G114ZU

PART NO. (OLD)

DRAWING NO. D 250133MS003G114ZU

SCALE 5:1 UNIT mm A4

ECN (DCN) NO.	REV	DATE	DESCRIPTION	CHANGE APPRO.	APPRO.	GENERAL TOLERANCE UNLESS OTHERWISE NOTED
	0		NEW			Angle $\pm 2^\circ$ 30 ~ ± 0.50 10 ~ 30 ± 0.30 ~ 10 ± 0.15
						DRAW
						DESIGN
						CHECK