

PLEASE CHECK WWW.MOLEX.COM FOR LATEST PART INFORMATION

Part Number: [5022312400](#)
Status: **Active**
Description: 0.50mm (.020") Pitch Easy-On™ Type FFC/FPC Connector, For LVDS, 6.05mm (.238") Height, Vertical, SMT, ZIF, 24 Circuits, Lead-free

Documents:

[3D Model](#) [Product Specification PS-502231-001 \(PDF\)](#)
[Drawing \(PDF\)](#) [RoHS Certificate of Compliance \(PDF\)](#)

General

Product Family FFC/FPC Connectors
 Series [502231](#)
 Product Name Easy-On™

Physical

Circuits (Loaded) 24
 Color - Resin Brown, Natural
 Contact Position Top
 Durability (mating cycles max) 20
 Entry Angle Vertical
 Mated Height (in) 0.238 In
 Mated Height (mm) 6.05 mm
 Material - Metal Phosphor Bronze
 Material - Plating Mating Gold, Tin
 Material - Plating Termination Gold, Tin
 Number of Rows 1
 Orientation Vertical
 PCB Locator No
 PCB Retention Yes
 Packaging Type Embossed Tape on Reel
 Pitch - Mating Interface (in) 0.020 In
 Pitch - Mating Interface (mm) 0.50 mm
 Pitch - Term. Interface (in) 0.020 In
 Pitch - Term. Interface (mm) 0.50 mm
 Polarized to PCB Yes
 Stackable No
 Temperature Range - Operating -25°C to +85°C
 Termination Interface: Style Surface Mount
 Wire/Cable Type FFC only

Electrical

Current - Maximum per Contact 0.4A
 Voltage - Maximum 50V AC (RMS)/DC

Material Info

Reference - Drawing Numbers

Product Specification PS-502231-001, RPS-502231-001
 Sales Drawing SD-502231-001, SD-502231-002

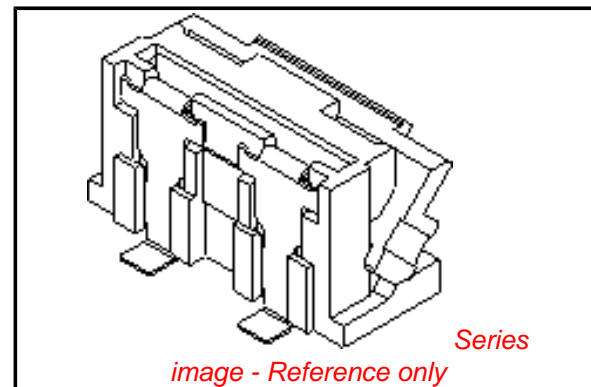


image - Reference only

EU RoHS

**ELV and RoHS
 Compliant**
REACH SVHC
 Not Reviewed
**Halogen-Free
 Status**

China RoHS

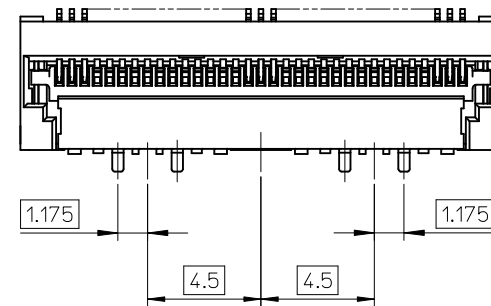
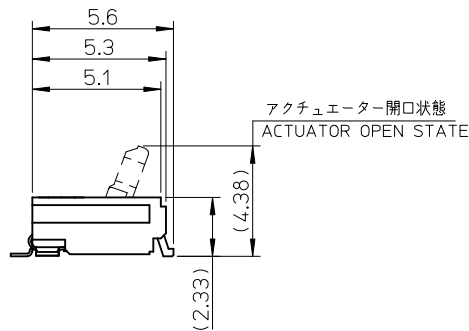
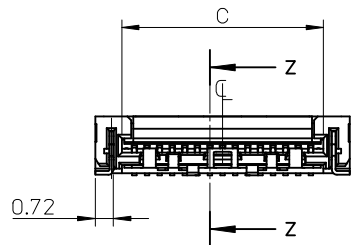
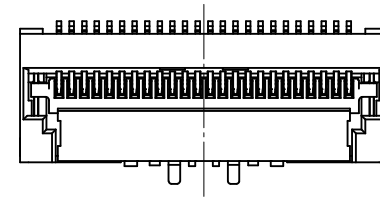
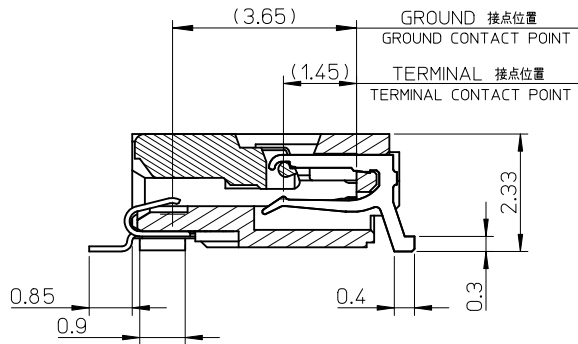
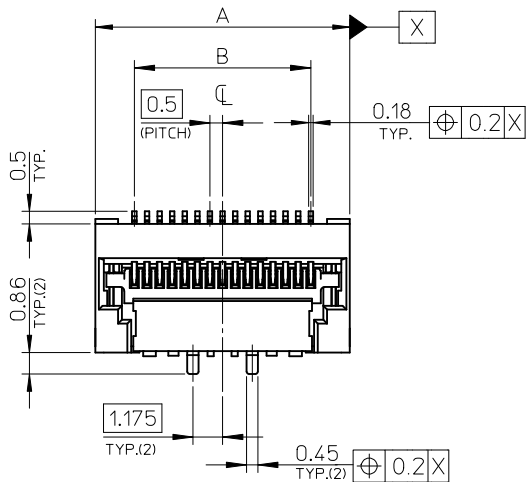


**Need more information on product
 environmental compliance?**

Email productcompliance@molex.com
 For a multiple part number RoHS Certificate of
 Compliance, [click here](#)

Please visit the [Contact Us](#) section for any
 non-product compliance questions.

Search Parts in this Series
[502231Series](#)



33極品形状

17	16	19.1	502244-3330	33
12.5	11.5	14.6	502244-2430	24
8	7	10.1	502244-1530	15
C	B	A	EMBOSSED TAPE	CIRCUIT
			ORDER No.	
CONNECTOR SERIES No.502244-***39				

REVISED EC NO.: J2010-1947 DRWN: NISHI 2010/03/18 CHKD: MATSUURA 2010/03/18 APPR: KMORIKAWA 2010/03/29	DESCRIPTION	GENERAL TOLERANCES (UNLESS SPECIFIED)		DIMENSION STYLE MM ONLY		SCALE 5:1	DESIGN UNITS METRIC	THIRD ANGLE PROJECTION	
		10 UNDER	± 0.2	DRAWN BY THANYU	DATE '06/03/10	TITLE 0.5 FFC CONN. FOR LVDS HOUSING ASSY (BOTTOM CONTACT)			
		10 OVER 30 UNDER	± 0.25	CHECKED BY SMARUYAMA	DATE '06/03/10	MOLEX INCORPORATED			
		30 OVER	± 0.3	APPROVED BY SICHIKAWA	DATE '06/03/10	DOCUMENT NO. SD-502244-001			
REV	C	ANGULAR ± 3°	DRAFT WHERE APPLICABLE MUST REMAIN WITHIN DIMENSIONS	MATERIAL NO. SEE TABLE	SIZE A3	SHEET NO. 1 OF 3			

注記 NOTES

1.使用材料 MATERIAL

ハウジング：液晶ポリマー (LCP)，ガラス充填，UL94V-0，ナチュラル (白)
 HOUSING：LIQUID CRYSTAL POLYMER (LCP)，
 GLASS FILLED，UL94V-0，NATURAL (WHITE)
 アクチュエーター ACTUATOR
 (15，33極)：ポリアミド (PA)，ガラス充填，UL94V-0，黒
 (24極)：ポリフェニレンスルファイド (PPS)，ガラス充填，UL94V-0，黒
 (15，33CKT)：POLYAMIDE (PA)，GLASS FILLED，UL94V-0，BLACK
 (24CKT)：POLYPHENYLENESULFIDE (PPS)，GLASS FILLED，
 UL94V-0，BLACK

ターミナル：燐青銅
 TERMINAL:PHOSPHOR BRONZE
 ネイル：燐青銅
 NAIL:PHOSPHOR BRONZE
 グランド：燐青銅
 GROUND:PHOSPHOR BRONZE

2.メッキ仕様

PLATING SPECIFICATION

ターミナルコンタクト部：部分金メッキ (0.1μm以上)
 TERMINAL CONTACT:SEPARATED GOLD PLATING (0.1μmMIN.)
 ターミナルテール部：部分金メッキ (0.05μm以上)
 TERMINAL TAIL:SEPARATED GOLD PLATING (0.05μmMIN.)
 ターミナル下地：ニッケルメッキ (1.0μm以上)
 TERMINAL UNDERPLATE:NICKEL PLATING (1.0μmMIN.)
 ネイル：錫メッキ (1.0μm以上)
 NAIL:TIN PLATING (1.0μmMIN.)
 ネイル下地：ニッケルメッキ (1.0μm以上)
 NAIL UNDERPLATE:NICKEL PLATING (1.0μmMIN.)
 グランド：錫メッキ (1.0μm以上)
 GROUND:TIN PLATING (1.0μmMIN.)
 グランド下地：ニッケルメッキ (1.0μm以上)
 GROUND UNDERPLATE:NICKEL PLATING (1.0μmMIN.)

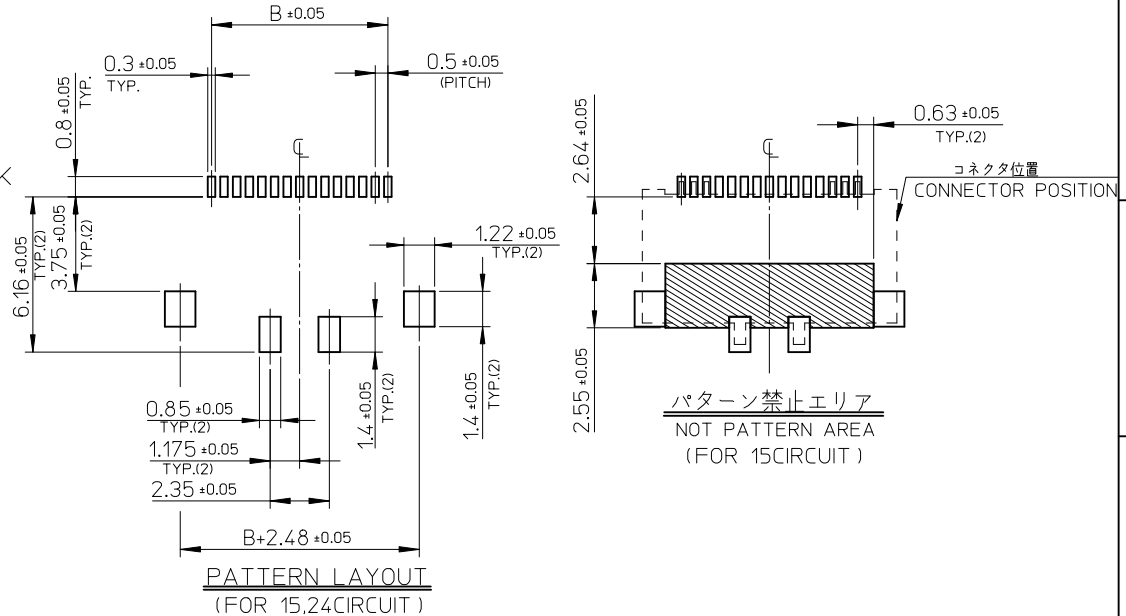
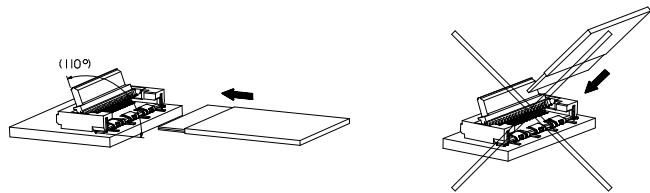
3.エンボステープ梱包時は、アクチュエーターが閉じた状態とする。

IN THE PACKAGE,ACTUATOR SHOULD BE CLOSED.

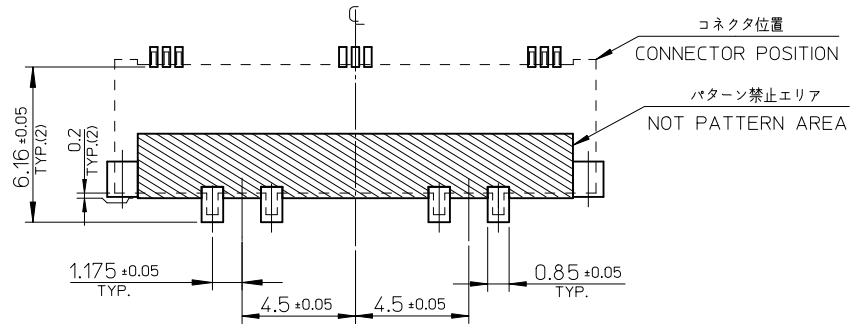
△使用するFFCはターミナル用パターン導体部とグランドターミナル用パターン導体部が重ならないこと。
 FFC IS NOT OVER LAP PATTERN OF TERMINAL
 AND GROUND TERMINAL.

5.FFCの挿入はアクチュエーターが完全に開いた状態でを行い、挿入口より真っ直ぐ
 ハウジングに突き当たるまで挿入してください。
 DO WITH THE ACTUATOR OPENED COMPLETELY
 AND INSERT IT IN THE INTERIOR OF THE INSERTION
 ENTRNCE SURELY WHEN YOU INSERT FFC.

6.ELV AND RoSH COMPLIANT.

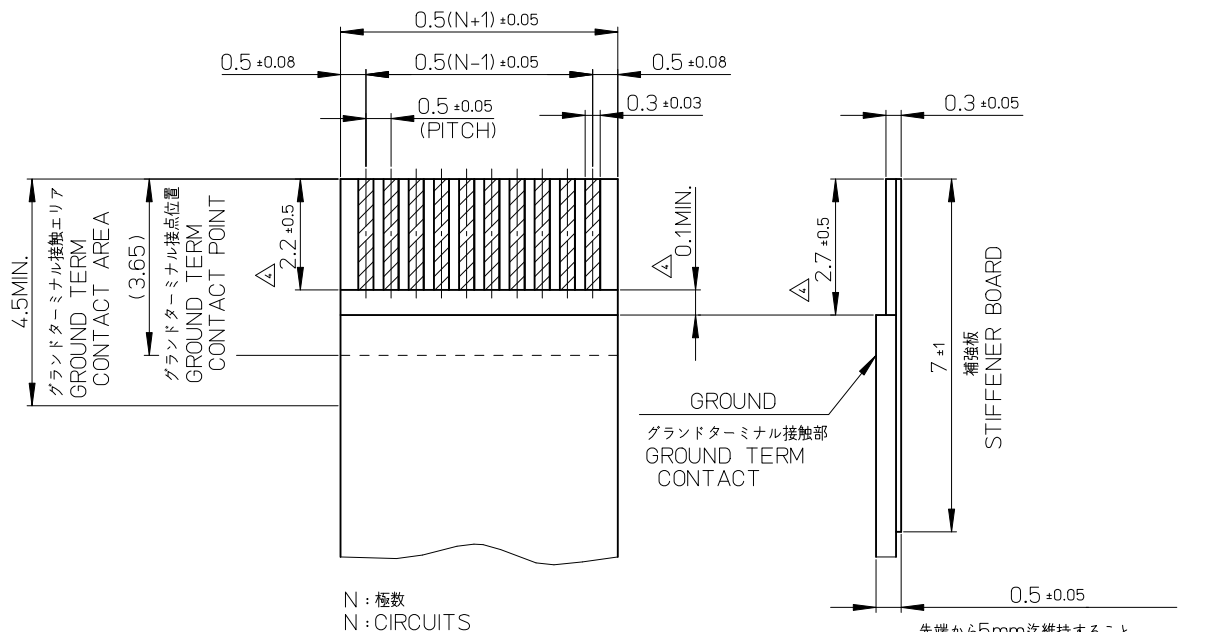


PATTERN LAYOUT
(FOR 15.24CIRCUIT)



PATTERN LAYOUT
(FOR 33CIRCUIT)

REVISED EC NO. J2010-1947 DRWN:NIISHI 2010/03/18 CHKD:WATSUURA 2010/03/18 APPR:KMORIKAWA 2010/03/29	GENERAL TOLERANCES (UNLESS SPECIFIED)		DIMENSION STYLE MM ONLY		SCALE 5:1	DESIGN UNITS METRIC	THIRD ANGLE PROJECTION
	10 UNDER	± 0.2	DRAWN BY THANYU	DATE '06/03/10	0.5 FFC CONN. FOR LVDS HOUSING ASSY (BOTTOM CONTACT) MOLEX INCORPORATED		
	10 OVER 30 UNDER	± 0.25	CHECKED BY SMARUYAMA	DATE '06/03/10			
	30 OVER	± 0.3	APPROVED BY SICHIKAWA	DATE '06/03/10			
ANGULAR	± 3 °	MATERIAL NO. SEE SHEET 1		DOCUMENT NO. SD-502244-001	SHEET NO. 2 OF 3		
DRAFT WHERE APPLICABLE MUST REMAIN WITHIN DIMENSIONS		THIS DRAWING CONTAINS INFORMATION THAT IS PROPRIETARY TO MOLEX INCORPORATED AND SHOULD NOT BE USED WITHOUT WRITTEN PERMISSION					



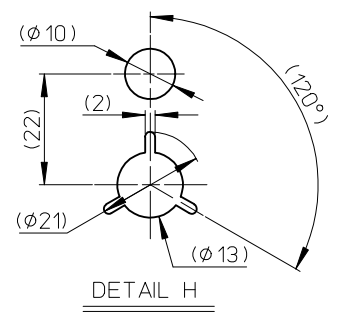
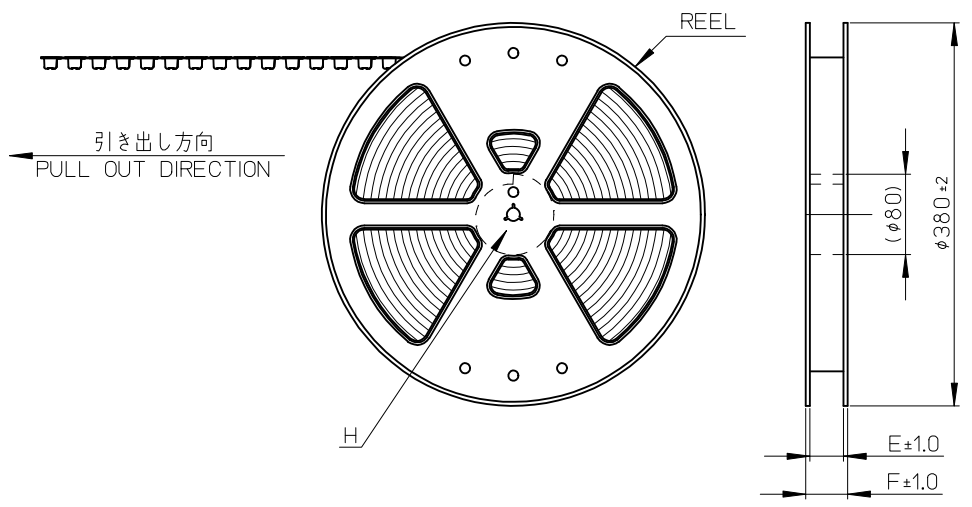
N : 極数
N : CIRCUITS

適合FFC推奨寸法
APPLICABLE FFC
RECOMMENDED DIMENSION

FFCについて:
抜き方向は導体側から補強板側を推奨致します。
導体部については、軟銅箔:35マイクロメートル又は50マイクロメートル
金めっきを推奨致します。

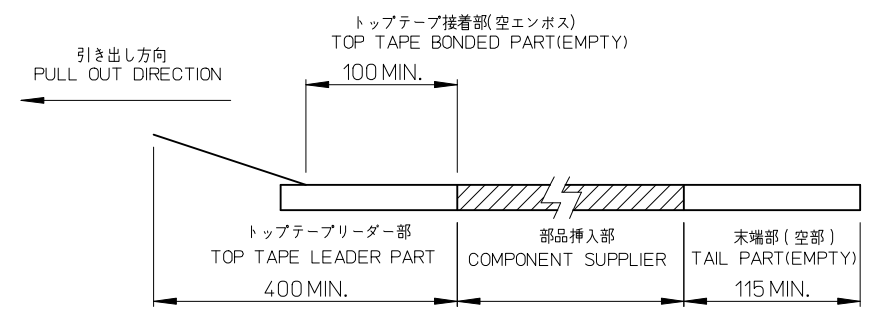
ABOUT FFC:
RECOMMENDED PUNCHER DIRECTION :
FROM CONDUCTOR SIDE TO STIFFENER FILM SIDE
RECOMMENDED CONDUCTOR SPEC :
THICKNESS OF SOFT COPPER : 35 MICROMETER OR 50 MICROMETER
GOLD PLATING

REVISED EC NO.: J2010-1947 DRWN: NISHI 2010/03/18 CHKD: MATSUURA 2010/03/18 APPR: KMORIKAWA 2010/03/29	DESCRIPTION	GENERAL TOLERANCES (UNLESS SPECIFIED)		DIMENSION STYLE MM ONLY		SCALE 5:1	DESIGN UNITS METRIC	THIRD ANGLE PROJECTION	
		10 UNDER	±0.2	DRAWN BY THANYU	DATE '06/03/10	TITLE 0.5 FFC CONN. FOR LVDS HOUSING ASSY (BOTTOM CONTACT)			
		10 OVER 30 UNDER	±0.25	CHECKED BY SMARUYAMA	DATE '06/03/10	MOLEX INCORPORATED			
		30 OVER	±0.3	APPROVED BY SICHIKAWA	DATE '06/03/10	MATERIAL NO.	DOCUMENT NO. SD-502244-001	SHEET NO. 3 OF 3	
C	REV	ANGULAR ± 3 ° DRAFT WHERE APPLICABLE MUST REMAIN WITHIN DIMENSIONS		SIZE A3	THIS DRAWING CONTAINS INFORMATION THAT IS PROPRIETARY TO MOLEX INCORPORATED AND SHOULD NOT BE USED WITHOUT WRITTEN PERMISSION				



NOTES

- 製品詳細寸法につきましては、製品単体図面を参照して下さい。
FOR DETAIL OF CONNECTOR DIMENSIONS.
PLEASE SEE THE DRAWING OF CONNECTOR ITSELF (NOT PACKAGED).
- 梱包数量: 2500個/リール
NUMBER OF CONNECTORS : 2500PCS/REEL
- リードテープの長さ
LEAD TAPE LENGTH

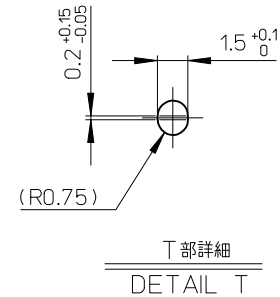
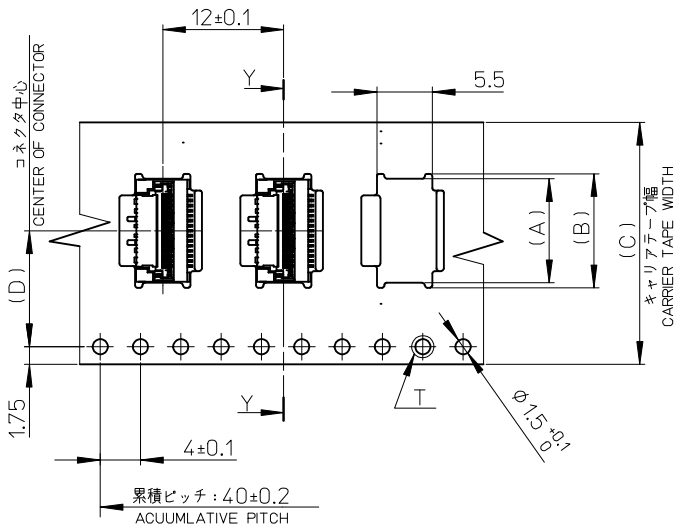
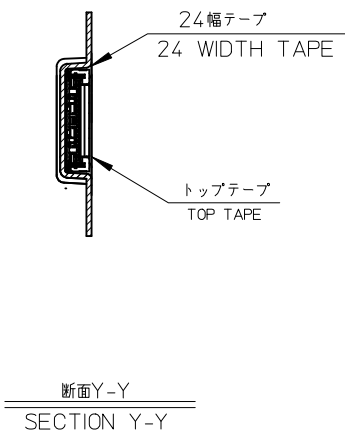


- 材料
MATERIAL
キャリアテープ : ポリスチレン (PS)
CARRIER TAPE : POLYSTYRENE (PS)
トップテープ : PET, OTHER
TOP TAPE : PET, OTHER
リール : ポリスチレン (リサイクル材を含む)
REEL : POLYSTYRENE (RECYCLE MATERIAL CONTAINED)

5.ELV AND RoHS COMPLIANT

REVISED EC NO: J2009-1513 DRWN:MTAKASAKI 2008/12/11 CHKD:MHAYASHI 2008/12/12 APPR:NUKITA 2008/12/12	GENERAL TOLERANCES (UNLESS SPECIFIED)		DIMENSION STYLE MM ONLY		SCALE ---	DESIGN UNITS METRIC	THIRD ANGLE PROJECTION
	10 UNDER	± 0.2	DRAWN BY NNISHI	DATE '06/5/22	TITLE 0.5 FFC CONN.FOR LVDS HOUSING ASSY EMBSTP PKG		
	10 OVER 30 UNDER	± 0.25	CHECKED BY SMARUYAMA	DATE '06/5/22			
	30 OVER	± 0.3	APPROVED BY SICHIKAWA	DATE '06/5/22	MOLEX INCORPORATED		
ANGULAR $\pm 1^\circ$		MATERIAL NO. SEE SHEET 2		DOCUMENT NO. SD-502244-002			
DRAFT WHERE APPLICABLE MUST REMAIN WITHIN DIMENSIONS		THIS DRAWING CONTAINS INFORMATION THAT IS PROPRIETARY TO MOLEX INCORPORATED AND SHOULD NOT BE USED WITHOUT WRITTEN PERMISSION					

引き出し方向
PULL OUT DIRECTION



29.4	25.4	11.5	24	15.8	14.8	502244-2439	502244-2430	24
				11.3	10.3	502244-1539	502244-1530	15
F	E	(D)	(C)	(B)	(A)	製品単体 CONNECTOR	製品番号 MATERIAL NO.	極数 CIRCUITS

REVISED EC NO: J2009-1513 DRWN:MTAKASAKI 2008/12/11 CHKD:MHAYASHI 2008/12/12 APPR:NUKITA 2008/12/12	GENERAL TOLERANCES (UNLESS SPECIFIED)		DIMENSION STYLE MM ONLY		SCALE ---	DESIGN UNITS METRIC	THIRD ANGLE PROJECTION	
	10 UNDER	±0.2	DRAWN BY NNISHI	DATE '06/5/22	TITLE 0.5 FFC CONN.FOR LVDS HOUSING ASSY EMBSTP PKG			
	10 OVER 30 UNDER	±0.25	CHECKED BY SMARUYAMA	DATE '06/5/22	APPROVED BY SICHIKAWA '06/5/22			
	30 OVER	±0.3	MATERIAL NO.		MOLEX INCORPORATED		DOCUMENT NO. SD-502244-002	SHEET NO. 2 OF 3
REV	DESCRIPTION	ANGULAR ±1 °	SEE TABLE		THIS DRAWING CONTAINS INFORMATION THAT IS PROPRIETARY TO MOLEX INCORPORATED AND SHOULD NOT BE USED WITHOUT WRITTEN PERMISSION			
DRAFT WHERE APPLICABLE MUST REMAIN WITHIN DIMENSIONS								

10 9 8 7 6 5 4 3 2 1

F

E

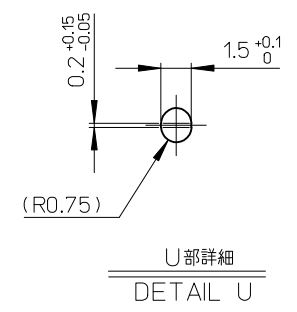
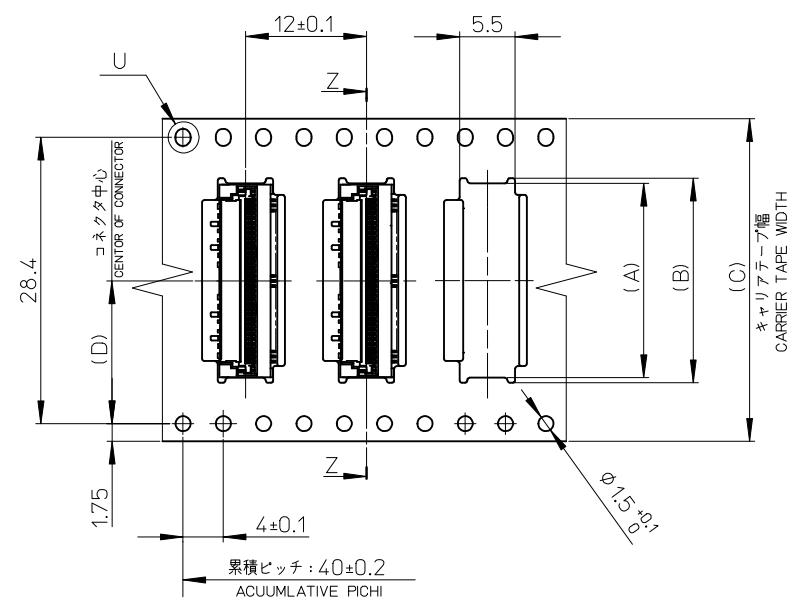
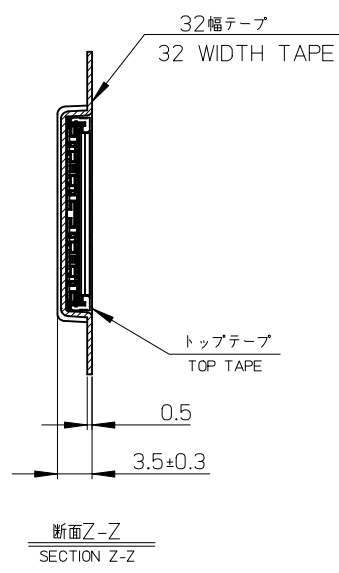
D

C

B

A

引き出し方向
PULL OUT DIRECTION



37.4	33.4	14.15	32	20.3	19.3	502244-3339	502244-3330	33
F	E	(D)	(C)	(B)	(A)	製品単体 CONNECTOR	製品番号 MATERIAL NO.	極数 CIRCUITS

REVISED EC NO: J2009-1513 DRWN: TAKASAKI 2008/12/11 CHKD: HAYASHI 2008/12/12 APPR: NUKITA 2008/12/12	GENERAL TOLERANCES (UNLESS SPECIFIED)		DIMENSION STYLE MM ONLY		SCALE ---	DESIGN UNITS METRIC			THIRD ANGLE PROJECTION		
	10 UNDER	±0.2	DRAWN BY NNISHI		DATE '06/5/22		TITLE 0.5 FFC CONN.FOR LVDS HOUSING ASSY EMBSTP PKG				
	10 OVER 30 UNDER	±0.25	CHECKED BY SMARUYAMA		DATE '06/5/22		MOLEX INCORPORATED DOCUMENT NO. SD-502244-002 SHEET NO. 3 OF 3				
	30 OVER	±0.3	APPROVED BY SICHIKAWA		DATE '06/5/22						
	ANGULAR ±1 °		DRAFT WHERE APPLICABLE MUST REMAIN WITHIN DIMENSIONS		MATERIAL NO. SEE TABLE						
SIZE A3		THIS DRAWING CONTAINS INFORMATION THAT IS PROPRIETARY TO MOLEX INCORPORATED AND SHOULD NOT BE USED WITHOUT WRITTEN PERMISSION									