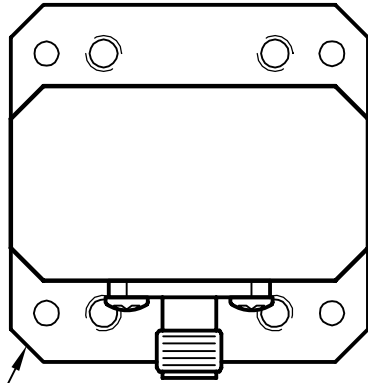
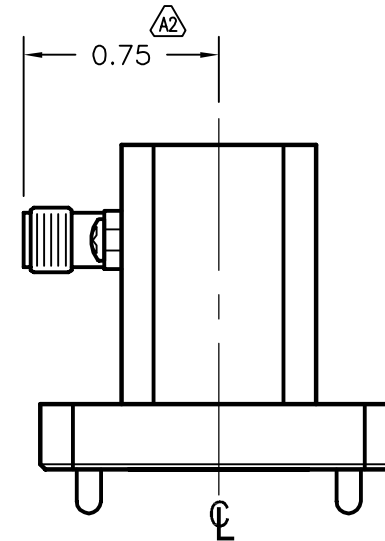
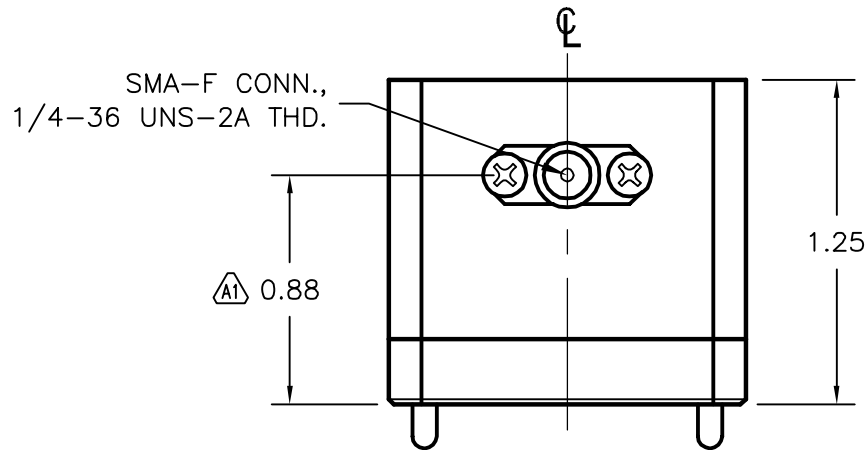


REV A	AUTH RL	DATE 12/12/02	INITIAL RELEASE
REV B	AUTH RL	DATE 09/18/06	ILLUSTRATION REVISED TO SHOW MILLED HSG.; $\triangle A1$ WAS: .94, $\triangle A2$ WAS: .73 MAX.; FORMAT UPDATE, REDESIGNATED FOR WEB



FLANGE PER ORDER,
SEE TABLE

DOUBLE RIDGE FLANGE TYPES		
DESIGNATION	TYPE	HOLE PATTERN
C1	COVER	ALL THRU/TAPPED
C2		ALL TAPPED
C3		ALL THROUGH
G1	GROOVE	ALL THRU/TAPPED
G2		ALL TAPPED
G3		ALL THROUGH



PERFORMANCE SPECIFICATIONS

MODEL NUMBER: 650-251-FLANGE TYPE*
 WG SIZE: WRD650
 FREQ: 6.5 - 18.0 GHz
 MAX. VSWR: 1.25
 FLANGE TYPE: SEE TABLE
 FINISH: UNIQUE CORROSION RESISTANT
 316 STAINLESS STEEL EPOXY

THIRD ANGLE PROJECTION:		APPROVALS	DATE	ADVANCED TECHNICAL MATERIALS, INC. TEL: (631) 289-0363 FAX: (631) 289-0358 www.atmmicrowave.com		<small>THE INFORMATION IN THIS DRAWING IS PROPRIETARY AND SHALL NOT BE USED OR DISCLOSED WITHOUT THE PRIOR WRITTEN CONSENT OF ATM, INC. DO NOT SCALE DWG.</small>	
UNLESS OTHERWISE NOTED, DIMENSIONS ARE IN INCHES, TOLERANCES ARE: FRACTIONS: $\pm 1/64$ ANGLES: $\pm 1/2^\circ$		DRAWN RL	09/18/06			OUTLINE, WRD650 SMA - WAVEGUIDE ADAPTER	
		CHKD.					
		APRVD.					
BASIC DIMENSION	DECIMALS 2 PLACE 3 PLACE	MATERIAL ALUM.		SIZE A	CAGE CODE 0R8N4	ATM DWG # 3485W	REVISION B
UNDER 6"	$\pm .02$ $\pm .005$	TREATMENT IRIDITE		SCALE NONE	MODEL # 650-251-XX	SHEET 1/1	
6" - 12"	$\pm .03$ $\pm .010$	FINISH SEE NOTES					
OVER 12"	$\pm .06$ $\pm .015$						