

PLEASE CHECK WWW.MOLEX.COM FOR LATEST PART INFORMATION

Part Number: [0684261500](#)
Status: **Planned for Obsolescence**
Description: 2.50mm (.098") Pitch Wire-to-Board Housing, Positive Lock, with TPA™, 15 Circuits

Documents:

[Drawing \(PDF\)](#) [RoHS Certificate of Compliance \(PDF\)](#)
[Product Specification PS-68426-001 \(PDF\)](#)

General

Product Family	Crimp Housings
Series	68426
Product Name	N/A

Physical

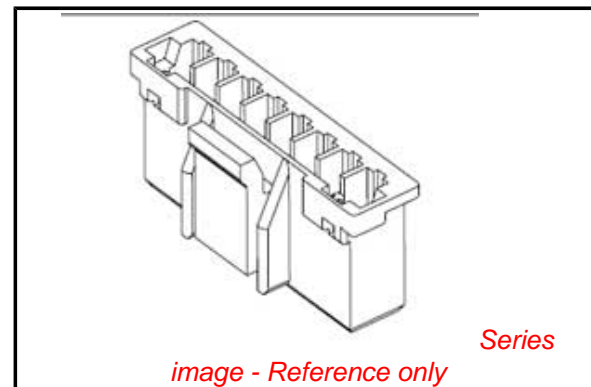
Circuits (maximum)	15
Gender	Female
Glow-Wire Compliant	No
Lock to Mating Part	Yes
Number of Rows	1
Packaging Type	Bag
Panel Mount	No
Pitch - Mating Interface (in)	0.098 In
Pitch - Mating Interface (mm)	2.50 mm
Polarized to Mating Part	Yes
Stackable	No
Temperature Range - Operating	-40°C to +105°C

Material Info

Old Part Number	68426-15000
-----------------	-------------

Reference - Drawing Numbers

Product Specification	PS-68426-001
Sales Drawing	SD-68426-001



EU RoHS

**ELV and RoHS
Compliant**
**REACH SVHC
Not Reviewed**
**Halogen-Free
Status
Not Reviewed**

China RoHS



**Need more information on product
environmental compliance?**

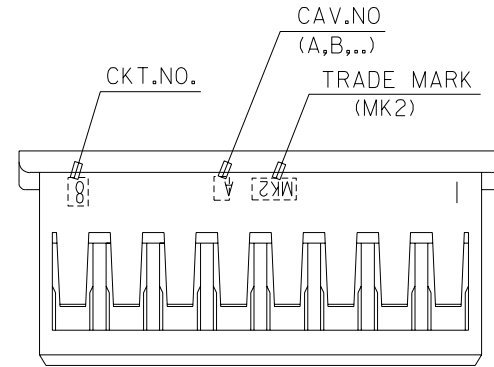
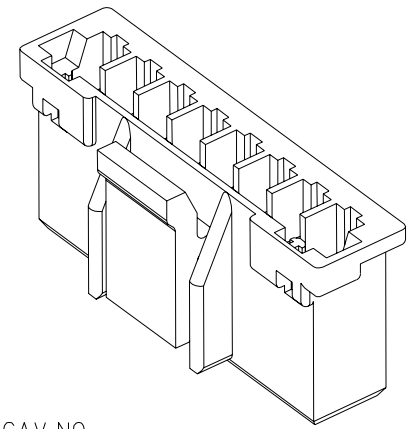
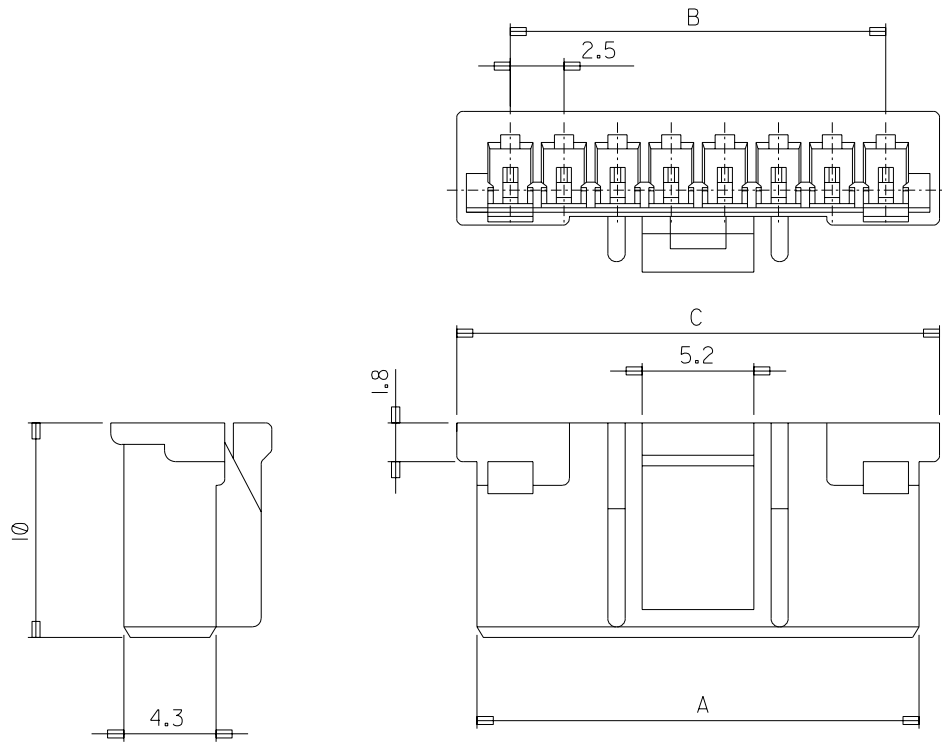
Email productcompliance@molex.com
 For a multiple part number RoHS Certificate of Compliance, [click here](#)

Please visit the [Contact Us](#) section for any non-product compliance questions.

Search Parts in this Series
[68426Series](#)

Mates With
[35312 Header](#), [68143 High Wall Header](#)

Use With
[579158001 Terminal](#). [68427 TPA™](#)



NOTES

1. MATERIAL : POLYESTER, UL94V-0, WHITE(NATURAL) COLOR
2. APPLICABLE TERMINAL: 57915-8001
3. APPLICABLE TPA: 68427
4. MATED WITH 35312, 68143 HEADER ASS'Y

40.0	35.0	38.1	68426-1500
35.0	30.0	33.1	1300
32.5	27.5	30.6	1200
30.0	25.0	28.1	1100
27.5	22.5	25.6	1000
22.5	17.5	20.6	0800
12.5	7.5	10.6	68426-0400
C	B	A	ENG. NO.

NEW RELEASED
 KOR2003-0232
 W.Y.YANG 03/03/20
 W.Y.YANG
 C.W.LEE

0

0

25
 25

4:1 X

W.Y.YANG 03/01/20

W.Y.YANG 03/01/20

C.W.LEE 03/01/20

2.5 W/B CONN.(TPA) HOUSING