

**PLEASE CHECK WWW.MOLEX.COM FOR LATEST PART INFORMATION**

**Part Number:** [0857201050](#)  
**Status:** **Active**  
**Overview:** [rj45 industrial ethernet plugs receptacles and accessories](#)  
**Description:** Modular Plug, RJ-45, Industrial Ethernet, Category 5, Shielded, IP20, 4 Data Circuits Loaded

**Documents:**

[Drawing \(PDF\)](#) [RoHS Certificate of Compliance \(PDF\)](#)

**General**

Product Family	Modular Jacks/Plugs
Series	<a href="#">85720</a>
Component Type	Wire Plug
Magnetic	No
Overview	<a href="#">rj45 industrial ethernet plugs receptacles and accessories</a>
Performance Category	5
Power over Ethernet (PoE)	N/A
Product Name	Industrial, RJ45

**Physical**

Color - Resin	Black
Durability (mating cycles max)	750
Inverted / Top Latch	N/A
Keying to Mating Part	None
Lightpipes/LEDs	None
Material - Metal	Phosphor Bronze
Material - Plating Mating	Gold
Material - Plating Termination	Gold
Material - Resin	Polycarbonate
Orientation	N/A
PCB Locator	No
PCB Retention	N/A
Packaging Type	Tray
Panel Mount	N/A
Ports	1
Positions / Loaded Contacts	8/4
Temperature Range - Operating	-40°C to +70°C
Termination Interface: Style	N/A
Wire/Cable Type	Round

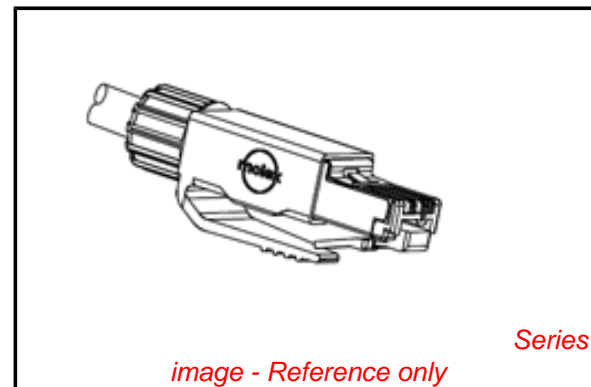
**Electrical**

Current - Maximum per Contact	1.5A
Grounding to PCB	No
Grounding to Panel	N/A
Shielded	Yes
Voltage - Maximum	48V

**Material Info**

**Reference - Drawing Numbers**

Application Specification	AS-85720-001
Sales Drawing	SD-85720-002



**EU RoHS**

**ELV and RoHS  
Compliant  
REACH SVHC  
Not Reviewed  
Halogen-Free  
Status  
Not Reviewed**

**China RoHS**



**Need more information on product environmental compliance?**

Email [productcompliance@molex.com](mailto:productcompliance@molex.com)  
 For a multiple part number RoHS Certificate of Compliance, [click here](#)

Please visit the [Contact Us](#) section for any non-product compliance questions.

**Search Parts in this Series**

[85720Series](#)

**Mates With**

[RJ-45 Jacks and Accessories](#)

7

6

5

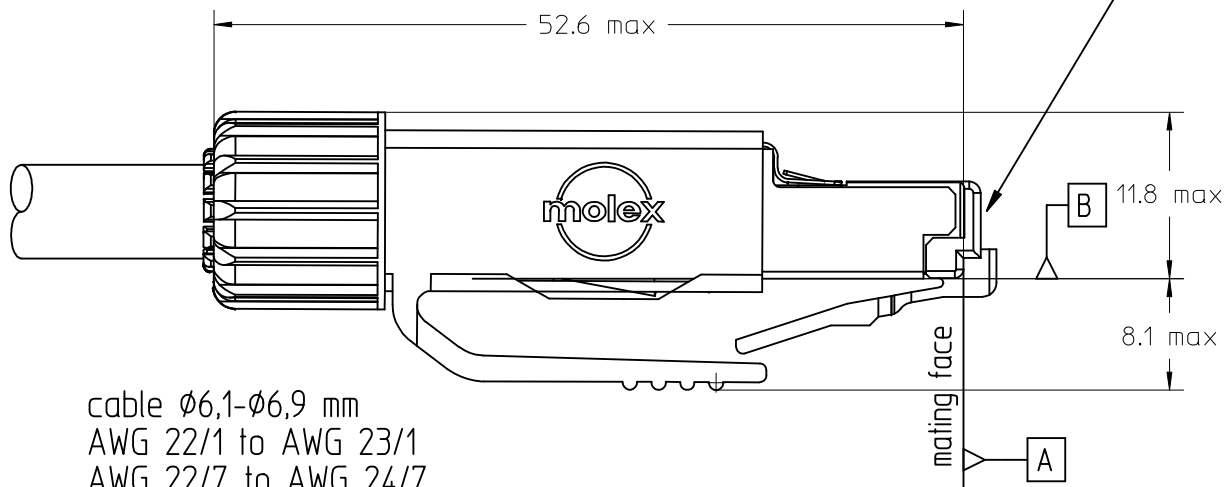
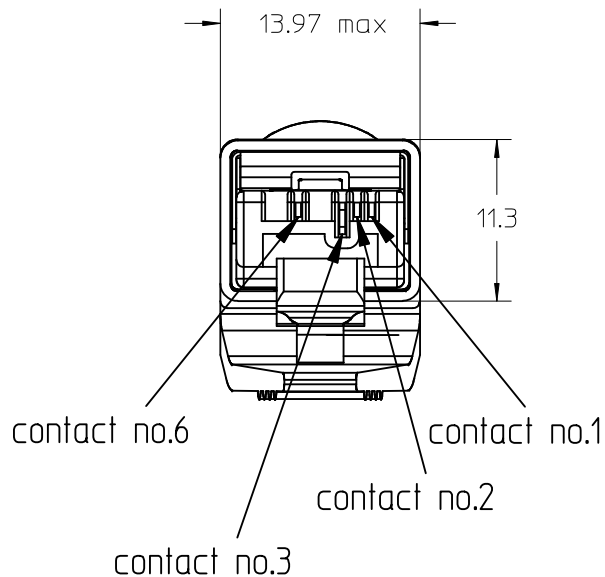
4

3

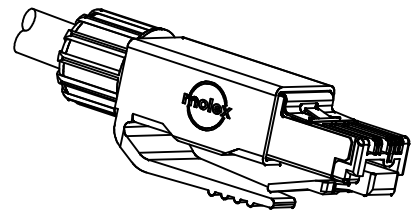
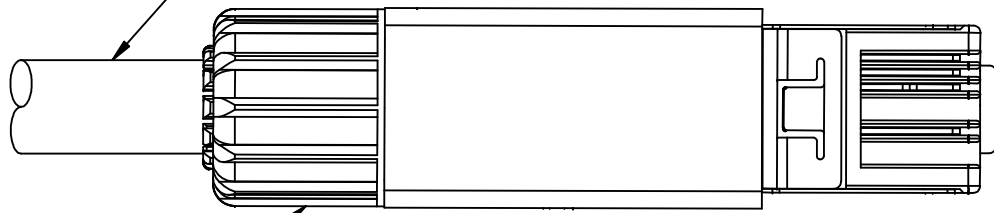
2

1

mating area compatible with IEC 60603-7



cable  $\phi 6,1-\phi 6,9$  mm  
 AWG 22/1 to AWG 23/1  
 AWG 22/7 to AWG 24/7  
 with O.D. 1,6 mm maxi.



<b>ENTER DESCRIPTION</b> EC NO: MG2006-0187 DRWN: CSEBASTI 2008/12/19 CHKD: RSILLER 2008/12/19 APPR: AVOGT 2008/12/19	<b>QUALITY SYMBOLS</b> = 0 = 0	<b>GENERAL TOLERANCES (UNLESS SPECIFIED)</b>		<b>DIMENSION STYLE</b> MM ONLY		SCALE 2:1	DESIGN UNITS METRIC	FIRST ANGLE PROJECTION
			mm	INCH	DRAWN BY KNOLLER	DATE 05/06/16	<b>RJ INDUSTRIAL THERMOPL. SHIELDED IP20 PLUG WITH 4 DATA CONT.</b>  <b>MOLEX INCORPORATED</b>	
		4 PLACES	± ---	± ---	CHECKED BY FCARABET	DATE 05/06/20		
		3 PLACES	± ---	± ---	APPROVED BY KNOLLER	DATE 05/06/21		
2 PLACES	± ---	± ---	ANGULAR ± 2 °		MATERIAL NO. 85720-1050	DOCUMENT NO. SD-85720-002	SHEET NO. 1 OF 1	
1 PLACE	± ---	± ---	DRAFT WHERE APPLICABLE MUST REMAIN WITHIN DIMENSIONS		THIS DRAWING CONTAINS INFORMATION THAT IS PROPRIETARY TO MOLEX INCORPORATED AND SHOULD NOT BE USED WITHOUT WRITTEN PERMISSION			

6

5

4

3

2

1