

PLEASE CHECK WWW.MOLEX.COM FOR LATEST PART INFORMATION

Part Number: [0951152884](#)
Status: **Active**
Overview: [modular_plugs](#)
Description: Round Cable Boot for Shielded Plug, Red

Documents:

[Application Specification \(PDF\)](#) [Packaging Specification \(PDF\)](#)
[Drawing \(PDF\)](#) [RoHS Certificate of Compliance \(PDF\)](#)

General

Product Family	Accessories
Series	95115
Comments	"Must be ordered with series 95043"
Component Type	Boot
Overview	modular_plugs
Product Name	N/A

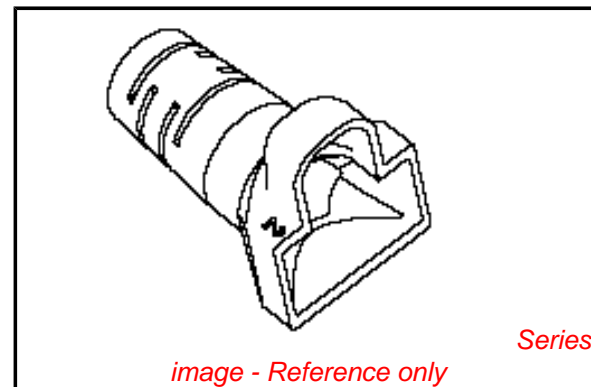
Physical

Breakaway	No
Circuits (Loaded)	N/A
Circuits (maximum)	0
Gender	N/A
Lock to Mating Part	None
Number of Rows	0
Packaging Type	Bag
Polarized to Mating Part	N/A
Temperature Range - Operating	N/A

Material Info

Reference - Drawing Numbers

Sales Drawing	SDA-95115-F
---------------	-------------



EU RoHS

**ELV and RoHS
Compliant**
REACH SVHC
Not Reviewed
**Halogen-Free
Status**
Not Reviewed

China RoHS



**Need more information on product
environmental compliance?**

Email productcompliance@molex.com
For a multiple part number RoHS Certificate of
Compliance, [click here](#)

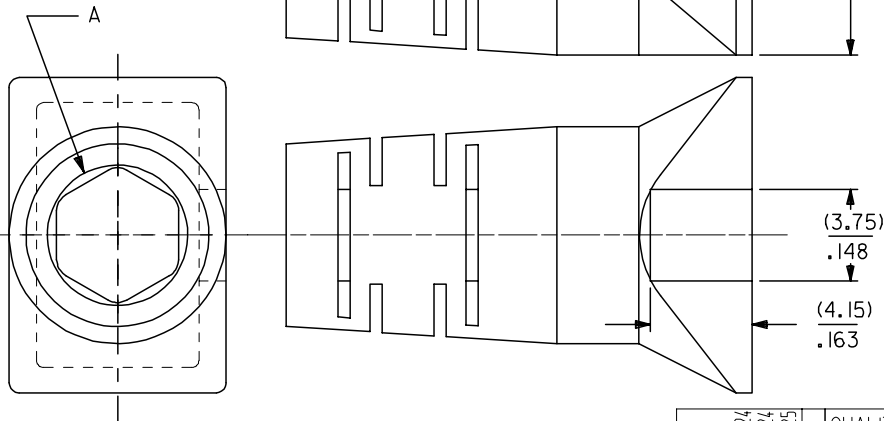
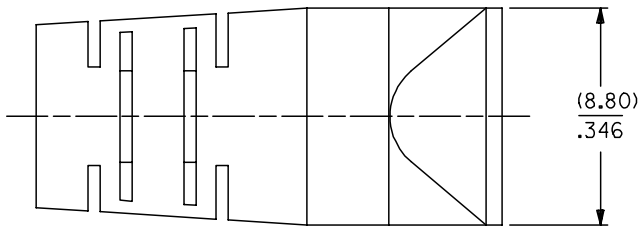
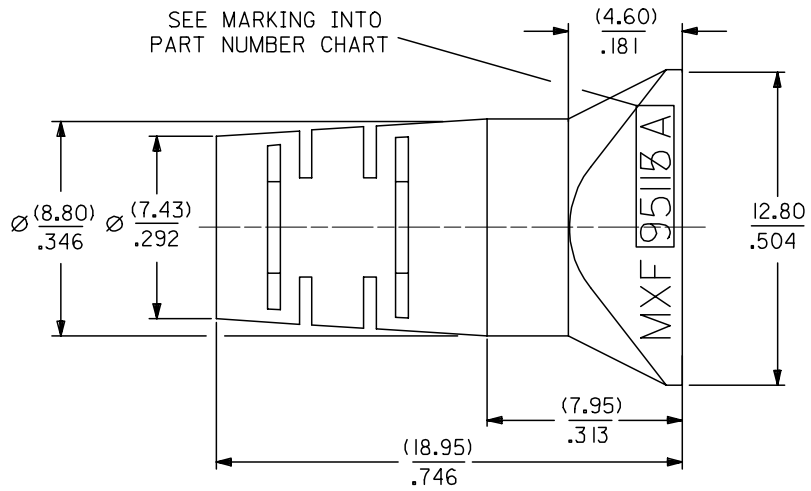
Please visit the [Contact Us](#) section for any
non-product compliance questions.

Search Parts in this Series
[95115Series](#)

Use With
[95043](#)

10 9 8 7 6 5 4 3 2 1

SEE MARKING INTO
PART NUMBER CHART



PART NUMBER CHART

PART NUMBER	MARKING	COLOUR	RAL NBR	CABLE DIAMETER	DIAMETER A
95115-1881	95115 A	BLACK	9005	(5.10-5.60)/.200-.220	(5.70)/.224
95115-1882	95115 A	GREY	7012	(5.10-5.60)/.200-.220	(5.70)/.224
95115-1883	95115 A	GREEN	6016	(5.10-5.60)/.200-.220	(5.70)/.224
95115-1884	95115 A	RED	3000	(5.10-5.60)/.200-.220	(5.70)/.224
95115-1885	95115 A	YELLOW	1021	(5.10-5.60)/.200-.220	(5.70)/.224
95115-1886	95115 A	BLUE	5015	(5.10-5.60)/.200-.220	(5.70)/.224
95115-2881	95115 B	BLACK	9005	(5.60-6.10)/.220-.240	(6.10)/.240
95115-2882	95115 B	GREY	7012	(5.60-6.10)/.220-.240	(6.10)/.240
95115-2883	95115 B	GREEN	6016	(5.60-6.10)/.220-.240	(6.10)/.240
95115-2884	95115 B	RED	3000	(5.60-6.10)/.220-.240	(6.10)/.240
95115-2885	95115 B	YELLOW	1021	(5.60-6.10)/.220-.240	(6.10)/.240
95115-2886	95115 B	BLUE	5015	(5.60-6.10)/.220-.240	(6.10)/.240

NOTES:

- 1- MATERIAL: THERMOPLASTIC RUBBER, UL94 V-0, COLOUR SEE CHART
- 2- COVER TO BE MOUNTED ON SHIELDED PLUG 95043 SERIES.
- 3- FOR MOUNTING INSTRUCTIONS SEE MOLEX SPECIFICATION AS-95043
- 4- COVER FOR CABLE ACCORDING TO THE MOLEX CABLE SPECIFICATION CS-95043.
- 5- PACKAGING SPECIFICATION: PK-95115-001

ADDED NOTE EC NO: E2007-0982 DRWN:DBYRNES 2007/05/24 CHKD: 2007/05/24 APPR:EDMAHONY 2007/05/25	QUALITY SYMBOLS ▽=0 ▽=0	GENERAL TOLERANCES (UNLESS SPECIFIED) mm INCH 4 PLACES ± --- ± --- 3 PLACES ± --- ± .010 2 PLACES ± 0.25 ± .014 1 PLACE ± 0.35 ± --- ANGULAR ±1/2°	DIMENSION STYLE MM/IN DRAWN BY DATE GP 1993/01/07 CHECKED BY DATE APPROVED BY DATE	SCALE 5:1 DESIGN UNITS METRIC THIRD ANGLE PROJECTION	TITLE ROUND CABLE BOOT FOR SHIELDED PLUG 95043 SERIES
	DRAFT WHERE APPLICABLE MUST REMAIN WITHIN DIMENSIONS	MATERIAL NO. SEE CHART	MOLEX INCORPORATED	DOCUMENT NO. SDA-95115-F	SHEET NO. 1 OF 1
	SIZE A3	THIS DRAWING CONTAINS INFORMATION THAT IS PROPRIETARY TO MOLEX INCORPORATED AND SHOULD NOT BE USED WITHOUT WRITTEN PERMISSION			

9 8 7 6 5 4 3 2 1