

PUP 120 Series

120 WATTS SINGLE OUTPUT AC/DC GENERAL

Features

- **High Efficiency.**
- **Low ripple and noise.**
- **Short circuit protection.**
- **Overvoltage protection.**
- **Over power protection.**
- **Over temperature protection.**
- **100% burn-in at full rated load.**
- **Standby consumption less than 0.75W.**
- **MEPS compliance.**



Specifications

INPUT

Input voltage	90-264Vac.
Frequency	47Hz–63Hz
Input current	1.60A @ 115V, 0.8A @ 230V
Leakage current	0.4mA max. @ 115Vac. 60Hz. 0.8mA max. @ 230Vac. 50Hz.
Isolation	Input – Output: 3000Vac Input – Ground: 1500Vac Output – Ground: 500Vac
Inrush current	60A @ 115V, 120A @ 230V

OUTPUT

Output voltage	See table
Output current	See table
Ripple & noise	1% peak to peak
Line regulation	±0.5% maximum at full load.
Load regulation	See table
Transient response	Max. deviation 4% recovering to 1% within 500µs after 25% load charge
Overvoltage protection	Provided on V1 only. Set at 110%–140% of nominal.
Overcurrent protection	All outputs protected for short circuit conditions
Temperature coefficient	All outputs ±0.04% per °C.
Holdup time	Typically 15ms at 110VAC.

OPERATING

MTBF	100,000 hrs @ 25°C.
Efficiency	80-86% minimum.
Power factor	0.98 typical at 115Vac.

ENVIRONMENTAL

Operating temperature	0°C to 40°C.
Storage temperature	-20°C to 85°C
Relative humidity	10%–95% non-condensing

STANDARDS AND APPROVALS

Safety	UL60950-1, CSA C22.2 No. 60950, Nemko EN60950: 2000.
C-Tick	AS/NZS CISPR11 Group 1 Class A
EMC standards	EN55024, EN55022-B, FCC-B, VCCI-B, EN61000-3-2, -3, EN61000-4-2, -3, -4, -5, -6, -8, -11.

MECHANICAL

Dimensions	167x65x37mm
Weight	0.62kgs approx.

PUP 120 Series

120 WATTS SINGLE OUTPUT AC/DC GENERAL

Selection Table

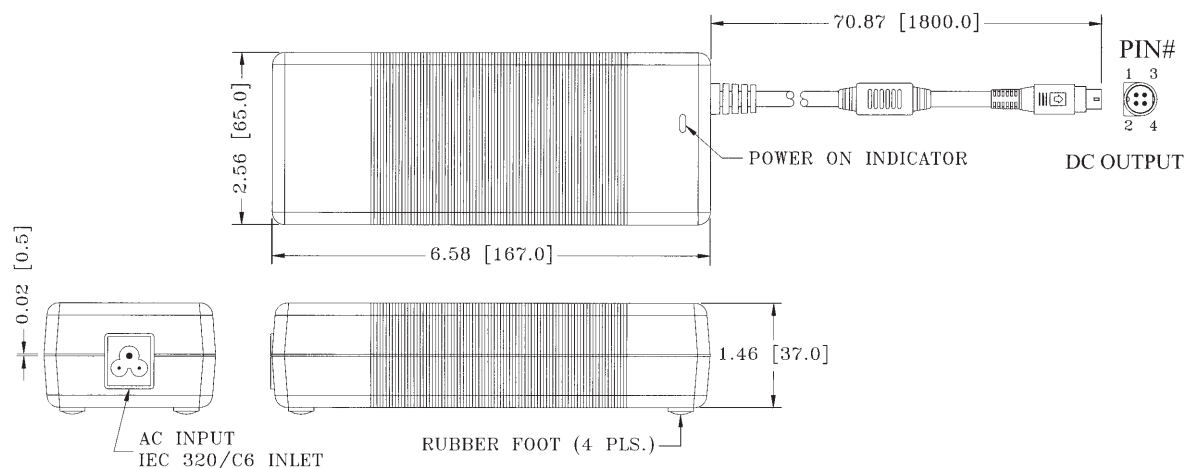
MODEL NUMBER	V _{NOM}	OUTPUT #1		MAX.	
		I _{MIN}	I _{MAX}	TOL	OUTPUT POWER
PUP120-12	12V	0A	8.0A	5%	96W
PUP120-13	15V	0A	7.0A	5%	105W
PUP120-13-1	18V	0A	6.67A	5%	120W
PUP120-13-2	19V	0A	6.32A	5%	120W
PUP120-13-3	20V	0A	6.0A	5%	120W
PUP120-14	24V	0A	5.0A	5%	120W
PUP120-16	30V	0A	4.0A	5%	120W
PUP120-17	36V	0A	3.34A	5%	120W
PUP120-18	48V	0A	2.5A	5%	120W

NOTES: Ripple and noise : Peak-to-peak with 20MHz bandwidth and 10 μ F tantalum capacitor in parallel with a 0.1 μ F ceramic capacitor at rated line voltage and load ranges.

Pin Chart

MODEL/PIN	1	2	3	4	SHELL OF CONNECTOR
PUP120-12					
PUP120-13					
PUP120-13-1	Return	Output +V	Return	Output +V	Return
PUP120-13-2					
PUP120-13-3					

Technical Illustrations



NOTES

- Dimensions show in inch [mm]
- Tolerance 0.02 [0.5] maximum
- Weight: 621 grams approx.