

**PLEASE CHECK WWW.MOLEX.COM FOR LATEST PART INFORMATION**

**Part Number:** [5031590710](#)  
**Status:** **Active**  
**Description:** 1.50mm (.059") Pitch CLIK-Mate™ Wire-to-Board PCB Receptacle, Single Row, Through Hole, Vertical, without Peg, 7 Circuits

**Documents:**

[3D Model](#) [Product Specification PS-503159-001 \(PDF\)](#)  
[Drawing \(PDF\)](#) [RoHS Certificate of Compliance \(PDF\)](#)

**General**

Product Family	PCB Receptacles
Series	503159
Application	Wire-to-Board
Product Name	CLIK-Mate™

**Physical**

Circuits (Loaded)	7
Color - Resin	Beige
Durability (mating cycles max)	30
Glow-Wire Compliant	No
Guide to Mating Part	Yes
Keying to Mating Part	Yes
Lock to Mating Part	Yes
Material - Metal	Copper Alloy
Material - Plating Mating	Tin
Material - Plating Termination	Tin
Number of Rows	1
Orientation	Vertical
PCB Locator	No
PCB Retention	Yes
PCB Thickness Recommended (in)	0.062 In
PCB Thickness Recommended (mm)	1.60 mm
Packaging Type	Tray
Pitch - Mating Interface (in)	0.059 In
Pitch - Mating Interface (mm)	1.50 mm
Polarized to Mating Part	Yes
Polarized to PCB	Yes
Stackable	No
Temperature Range - Operating	-25°C to +85°C
Termination Interface: Style	Through Hole

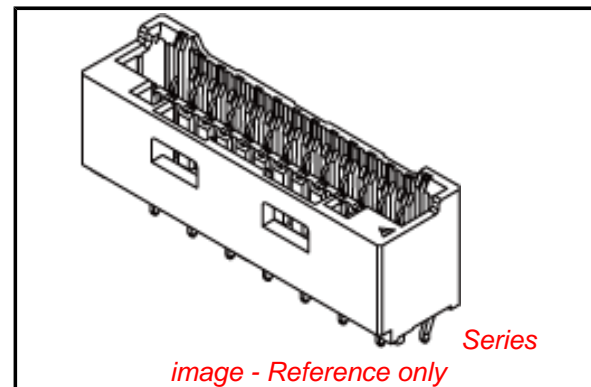
**Electrical**

Current - Maximum per Contact	2A
Voltage - Maximum	100V

**Material Info**

**Reference - Drawing Numbers**

Product Specification	PS-503159-001, RPS-503159-001, RPS-503159-003
Sales Drawing	SD-503159-002



**EU RoHS**

**ELV and RoHS Compliant**  
**REACH SVHC Contains SVHC: No**  
**Halogen-Free**  
**Status**  
**Not Reviewed**

**China RoHS**



**Need more information on product environmental compliance?**

Email [productcompliance@molex.com](mailto:productcompliance@molex.com)  
 For a multiple part number RoHS Certificate of Compliance, [click here](#)

Please visit the [Contact Us](#) section for any non-product compliance questions.

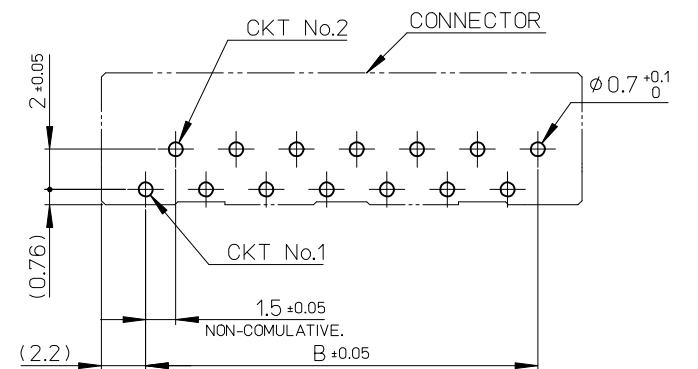
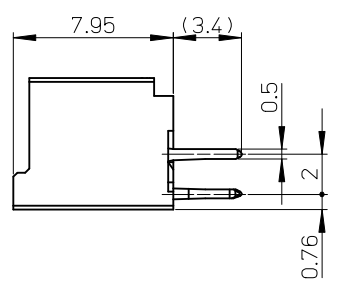
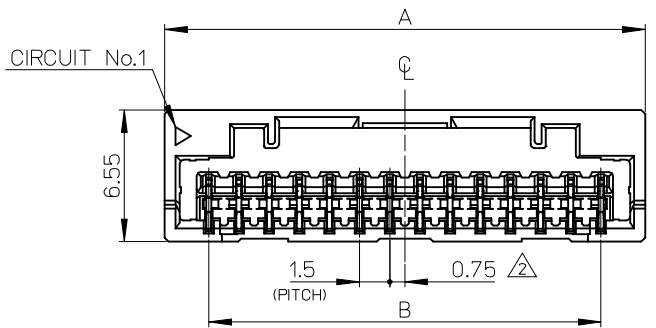
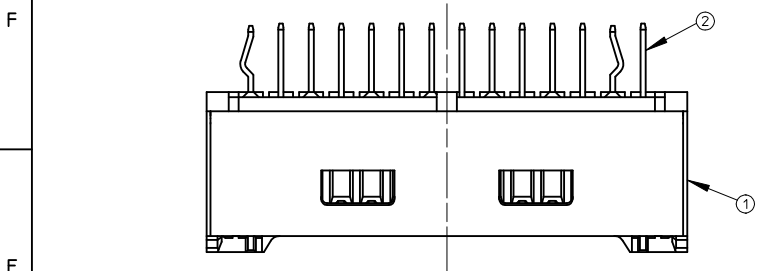
**Search Parts in this Series**

503159Series

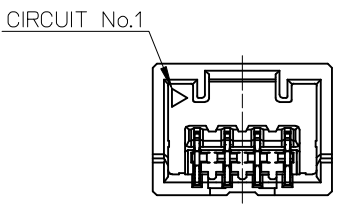
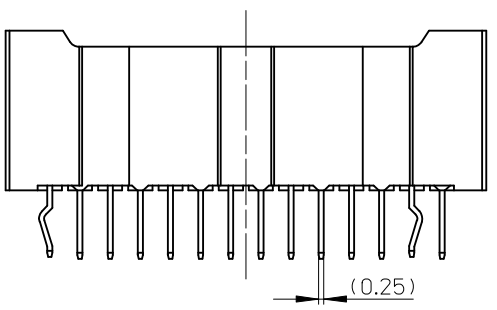
**Mates With**

502578 Crimp Housing . 502579 Crimp Terminal

10 9 8 7 6 5 4 3 2 1



基板取付穴推奨寸法 (マウント面)  
 RECOMMENDED P.C.BOARD  
 HOLE DIMENSION  
 (MOUNTING SIDE)  
 (t=1.6)

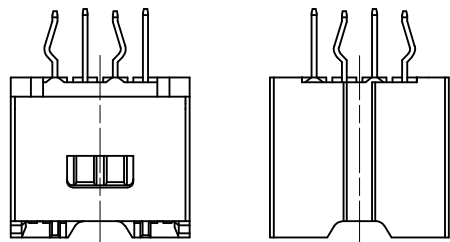


2~11極 CIRCUIT No.1  
 CIRCUIT No.1 OF 2-11 CIRCUIT

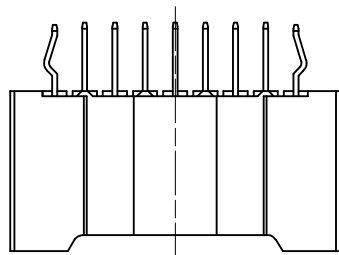
26.8	21	25.4	503159-15**	15
25.3	19.5	23.9	503159-14**	14
23.8	18	22.4	503159-13**	13
22.3	16.5	20.9	503159-12**	12
20.8	15	19.4	503159-11**	11
19.3	13.5	17.9	503159-10**	10
17.8	12	16.4	503159-09**	9
16.3	10.5	14.9	503159-08**	8
14.8	9	13.4	503159-07**	7
13.3	7.5	11.9	503159-06**	6
11.8	6	10.4	503159-05**	5
10.3	4.5	8.9	503159-04**	4
8.8	3	7.4	503159-03**	3
7.3	1.5	5.9	503159-02**	2
C	B	A	TRAY PACKAGE	CIRCUIT ORDER No.

No.	部品 PART	材料 MATERIAL
①	ハウジング HOUSING	ポリアミド (PA) UL94V-0 POLYAMIDE UL94V-0 色: 注記 5. 参照 COLOR: SEE NOTES 5.
②	ターミナル TERMINAL	銅合金 COPPER ALLOY 錫めっき (1.0 μm 以上) TIN PLATING OVERALL SURFACES (1.0 MICROMETER MINIMUM) 下地: ニッケルめっき (1.0 μm 以上) UNDER PLATE: NICKEL OVERALL (1.0 MICROMETER MINIMUM)

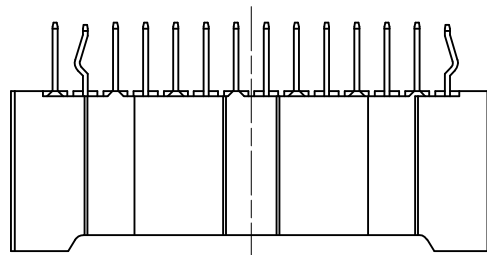
REVISED EC NO: J2009-2136 DRWNSKUROSE 2009/04/09 CHKD:KASAKAWA 2009/04/09 APPR:SI CHIKAWA 2009/04/09	DESCRIPTION GENERAL TOLERANCES (UNLESS SPECIFIED)	10 UNDER	±0.2	DIMENSION STYLE MM ONLY	SCALE 4:1	DESIGN UNITS METRIC	THIRD ANGLE PROJECTION		
		10 OVER 30 UNDER	±0.25		DRAWN BY SKUROSE			DATE 2008/09/03	TITLE 1.5 W/B CONN. SINGLE DIP ST REC. ASS'Y 2-15CKT WITHOUT BOSS
		30 OVER	±0.3		CHECKED BY KASAKAWA			DATE 2008/09/03	
		ANGULAR ±3 °			APPROVED BY SICHIKAWA			DATE 2008/09/03	
DRAFT WHERE APPLICABLE MUST REMAIN WITHIN DIMENSIONS		MATERIAL NO.	SEE TABLE	DOCUMENT NO. SD-503159-002	SHEET NO. 1 OF 2				
REV				SIZE A3	THIS DRAWING CONTAINS INFORMATION THAT IS PROPRIETARY TO MOLEX INCORPORATED AND SHOULD NOT BE USED WITHOUT WRITTEN PERMISSION				



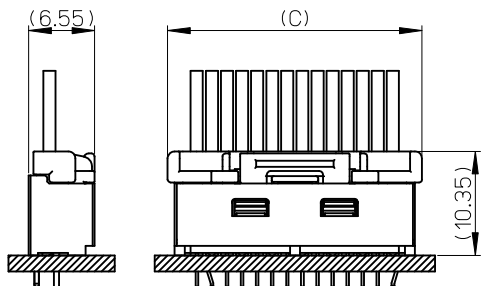
2~5 極形状 (ロック面及び反ロック面)  
 FIGURE OF 2-5 CIRCUIT (LOOK SIDE AND UN-LOCK SIDE)



6~10 極形状 (反ロック面)  
 FIGURE OF 6-10 CIRCUIT (UN-LOCK SIDE)



11~15 極形状 (反ロック面)  
 FIGURE OF 11-15 CIRCUIT (UN-LOCK SIDE)



嵌合図 (SCALE 2:1)  
 MATED CONNECTORS (SCALE 2:1)

NOTES

1. 嵌合相手: 502578シリーズ  
 MATE WITH: 502578 SERIES.
2. 極数/2=偶数に適用  
 APPLY FOR CIRCUIT SIZE/2=EVEN.
3. 端子テール部に錫めっきを使用している為、外観に摺動痕が付く場合があります。  
 THE WOUND OF FRICTION MIGHT ADHERE TO EXTERNALS BECAUSE THE TIN PLATING IS USED FOR THE TAIL.
4. 製品番号  
 MATERIAL No.

503159-\*\*\*  
 極数  
 CIRCUIT SIZE  
 ボス、色  
 BOSS, COLOR

ボス無し		CIRCUIT	No.	COLOR
02~15	1		0	ベージュ BEIGE
			1	黒 BLACK
			2	赤 RED
			3	黄 YELLOW
			4	青 BLUE
			5	桃 PINK
			6	緑 GREEN
			7	茶 BROWN
			8	橙 ORANGE
9	紫 VIOLET			
02	3	4	水 PALE BLUE	

5. 本製品のプラスチック部に黒点・白点等が確認される場合や色合いが異なる場合がありますが、製品性能に影響はありません。  
 THERE IS NO INFLUENCE IN THE PRODUCT PERFORMANCE THOUGH THE BLACK AND WHITE SPOT ETC. MIGHT BE CONFIRMED TO THE PLASTIC PART OF THIS PRODUCT AND THE SHADE MIGHT BE DIFFERENT.
6. ELV及びRoHS 適合品  
 ELV AND RoHS COMPLIANT
7. ボス有形状は“SD-503159-001”を参照願います。  
 REFER TO “SD-503159-001” FOR WITH BOSS.

REVISED EC NO: J2009-2136 DRWNSKUROSE 2009/04/09 CHKD:KASAKAWA 2009/04/09 APPR:SI CHIKAWA 2009/04/09	GENERAL TOLERANCES (UNLESS SPECIFIED)		DIMENSION STYLE MM ONLY		SCALE 4:1	DESIGN UNITS METRIC	THIRD ANGLE PROJECTION
	10 UNDER	±0.2	DRAWN BY SKUROSE	DATE 2008/09/03	TITLE 1.5 W/B CONN. SINGLE DIP ST REC. ASS'Y 2-15CKT WITHOUT BOSS		
	10 OVER 30 UNDER	±0.25	CHECKED BY KASAKAWA	DATE 2008/09/03	MOLEX MOLEX INCORPORATED		
	30 OVER	±0.3	APPROVED BY SICHIKAWA	DATE 2008/09/03	DOCUMENT NO. SD-503159-002	SHEET NO. 2 OF 2	
	ANGULAR ±3 °	DRAFT WHERE APPLICABLE MUST REMAIN WITHIN DIMENSIONS		MATERIAL NO. SEE TABLE	THIS DRAWING CONTAINS INFORMATION THAT IS PROPRIETARY TO MOLEX INCORPORATED AND SHOULD NOT BE USED WITHOUT WRITTEN PERMISSION		