

The **SM3436-34HS** is a solid state GaAs amplifier designed primarily for Industrial Scientific Medical (ISM), Wireless Communications Systems (WCS), and Wireless Local Loop (WLL) applications. This amplifier operates from 3.4 – 3.6 GHz, provides 34 dB of gain, ± 0.5 dB gain flatness over the full band, and +34 dBm of output power at the 1 dB compression point. This highly linear design provides an output third order intercept point of + 47 dBm. The amplifier operates from a single supply of +12V (+10V available as an option) and draws 1.2 Amps. (typ.) of current. The unit uses the latest surface mount technologies to provide numerous features, while maintaining a very small size.

Features

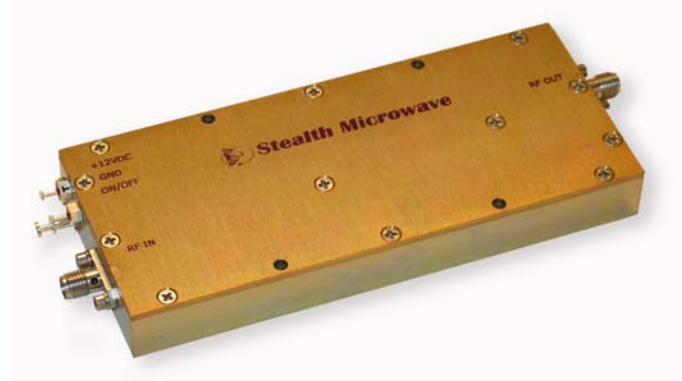
- Mis-Match Protected
- Single Power Supply
- Over Voltage Protection
- Thermal Protection with Auto Reset

Options

- +10 V Operation
- Logic On/Off Control
- Integral Heatsink

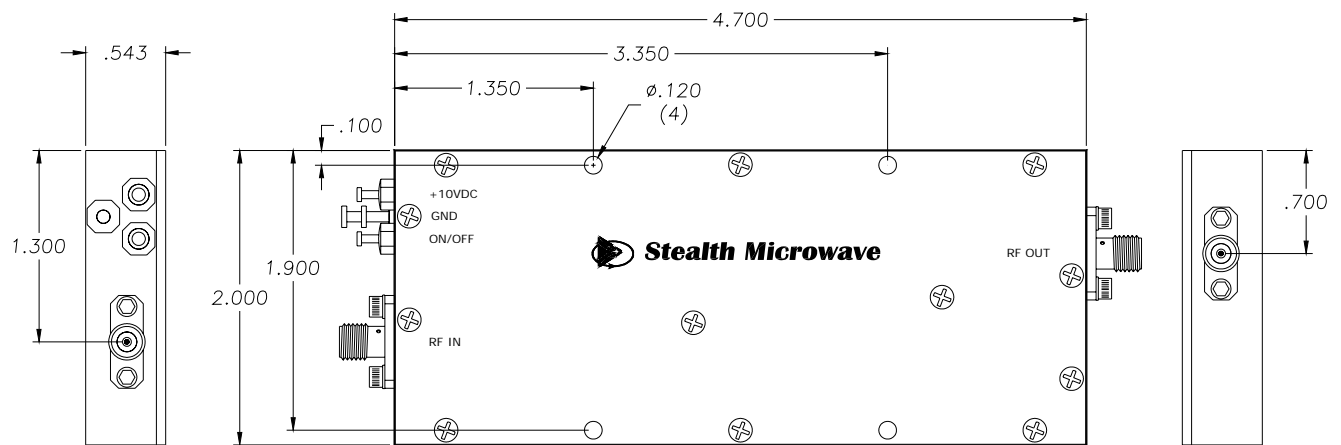
Configurations

- Module
- 19" Rack



Parameter	Specification
Frequency Range	3.4 – 3.6 GHz
Pout (P1dB)	+ 34 dBm (min.)
Third Order Intercept Point	+ 47 dBm (typ.)
Linear Gain	34 dB \pm 1.0 dB
Gain Flatness over Full Band	$\pm .5$ dB
Input/Output Return Loss	-14 dB / -14dB
DC Input Voltage	+12 Volts (+10 V Operation)
DC Input Current	1.2 Amperes (typ.) 1.4 Amperes (max.)
Mechanical Dimensions	4.7 x 2.0 x 0.54 inches
RF Connectors	SMA Female
Operating Temperature	0°C to +55°C
Operating Humidity	95% Non-condensing
Operating Altitude	Up to 10,000 feet above Sea Level

DIMENSIONS IN INCHES



Pin	Description	Values
RF Input	Input Connector (SMA Female)	+3 dBm (max.)
RF Output	Output Connector (SMA Female)	+ 34 dBm @ P1dB
GND	Ground Turret	---
+12 VDC	DC Input Voltage	+ 12 Volts @ 1.2 Amperes
On/Off	TTL Logic On/Off	0 Volts = Off, +5 Volts = On

Specifications subject to change without notice.