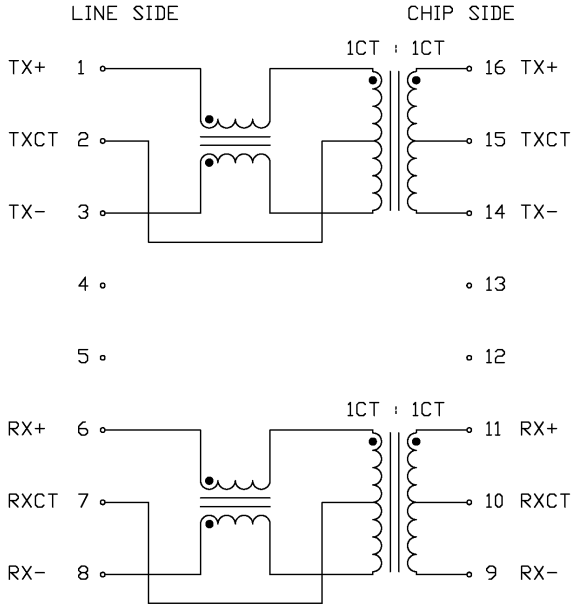


THE INFORMATION CONTAINED HEREIN IS CONSIDERED "PROPRIETARY" TO BEL FUSE INC. AND SHALL NOT BE COPIED, REPRODUCED OR DISCLOSED WITHOUT THE WRITTEN APPROVAL OF BEL FUSE INC.

ELECTRICAL CHARACTERISTICS @25°C



SCHEMATIC



URNS RATIO

PIN 1-2-3 : 16-15-14  
PIN 6-7-8 : 11-10-9

1CT : 1CT  
1CT : 1CT

QCL

PIN 16-14  
11-9

350μH MIN.  
@ 100kHz, 100mVrms  
W/8mA DC BIAS

LEAKAGE INDUCTANCE, Le

PIN 16-14 (SHORT 1-3)  
PIN 11-9 (SHORT 6-8)

300nH MAX.  
@ 1MHz, 20mVrms

INTERWINDING CAPACITANCE, Cw/w

PIN 1-3 TO 16-14  
PIN 6-8 TO 11-9

30pF MAX.  
@ 1MHz, 20mVrms

WINDING RESISTANCE, DCR

PIN 1-3 ; 6-8  
PIN 16-14 ; 11-9

2.0 Ω MAX.  
1.0 Ω MAX.

INSERTION LOSS

@ 100kHz-100MHz

1.0dB MAX.

RETURN LOSS

@ 1MHz-30MHz  
@ 30-60MHz  
@ 60-80MHz

18dB MIN.  
18-20 LDB (F/30MHz) MIN.  
10dB MIN.

CROSSTALK

@ 100kHz-100MHz

35dB MIN.

CM TO CM MODE REJ.

@ 100kHz-100MHz

30dB MIN.

CM TO DM MODE REJ.

@ 100kHz-100MHz

40dB MIN.

HIPOT

1500Vrms

ORIGINATED BY	DATE	TITLE	PART NO. / DRAWING NO.	STANDARD DIM.	[ ] METRIC DIM. AS REFERENCE
HO	05-23-06	10/100BT MAGNETICS MODULE	X5585999J1-F	TOL. IN INCH	UNIT : INCH [mm] REV. : A
DRAWN BY	DATE		FILE NAME	.X	SCALE : N/A SIZE : A4
DQ Chen	05-23-06	S558-5999-J1-F	X5585999J1FA.DWG	.XX	⊕
				.XXX	PAGE : 2

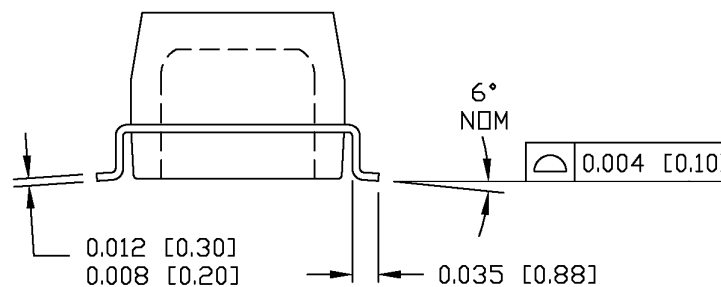
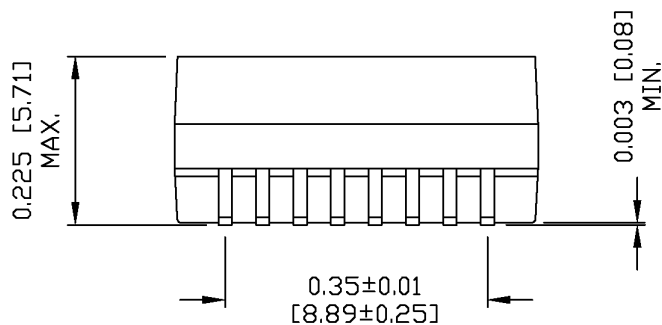
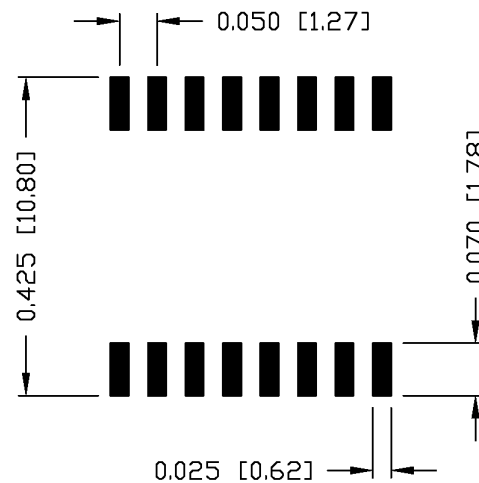
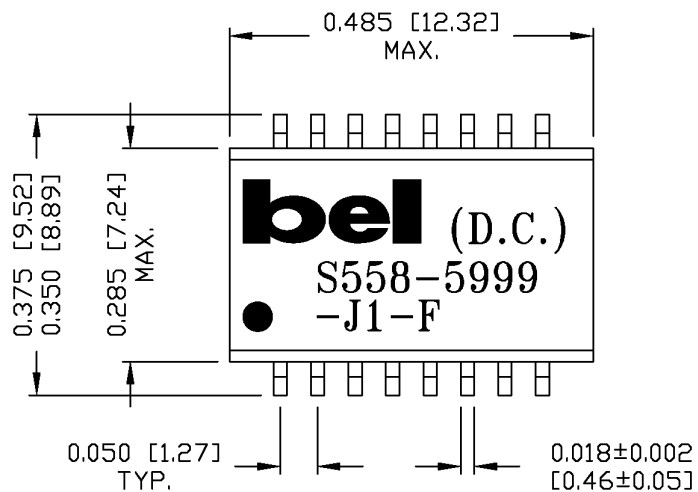


THE INFORMATION CONTAINED HEREIN IS CONSIDERED "PROPRIETARY" TO BEL FUSE INC. AND SHALL NOT BE COPIED, REPRODUCED OR DISCLOSED WITHOUT THE WRITTEN APPROVAL OF BEL FUSE INC.

RoHS  
2002/95/EC



SUGGESTED PCB PAD LAYOUT



NOTES:

- STANDARD MARKING REFER TO DOC. HAND-WORK-04.
- PACKAGE CODE: "QBS001".

ORIGINATED BY	DATE	TITLE	PART NO. / DRAWING NO.	STANDARD DIM.	[ ] METRIC DIM. AS REFERENCE	
HQ	05-23-06	MECHANICAL DRAWING	X5585999J1-F	TOL. IN INCH	UNIT : INCH [mm]	REV. : A
DRAWN BY	DATE		FILE NAME	.X	SCALE : N/A	SIZE : A4
DQ Chen	05-23-06	S558-5999-J1-F	X5585999J1FA.DWG	.XX ±0.01	PAGE : 3	 COMPONENTS FOR A CONNECTED PLANET
				.XXX ±0.005		