

PLEASE CHECK WWW.MOLEX.COM FOR LATEST PART INFORMATION

Part Number: [0003061041](#)
Status: **Active**
Overview: [standard_062](#)
Description: 1.57mm (.062") Diameter Standard .062 Pin and Socket Receptacle Housing, 4 Circuits, With Standard Mounting Ears

Documents:

[3D Model](#) [Product Specification PS-02-06 \(PDF\)](#)
[Drawing \(PDF\)](#) [RoHS Certificate of Compliance \(PDF\)](#)
[Packaging Specification \(PDF\)](#)

Agency Certification

CSA LR19980
TUV R72081037
UL E29179

General

Product Family Crimp Housings
Series [1625](#)
Comments Polarized to Mating Part
MolexKits Yes
Overview [standard_062](#)
Product Name Standard .062"

Physical

Breakaway No
Circuits (maximum) 4
Circuits Detail 1x4
Color - Resin Natural
Flammability 94V-2
Gender Receptacle
Glow-Wire Compliant No
Keying to Mating Part None
Lock to Mating Part Yes
Material - Resin Nylon
Number of Rows 1
Packaging Type Bag
Panel Mount Yes
Pitch - Mating Interface (in) 0.145 In
Pitch - Mating Interface (mm) 3.68 mm
Pitch - Term. Interface (in) 0.145 In
Pitch - Term. Interface (mm) 3.96 mm
Polarized to Mating Part Yes
Stackable No
Temperature Range - Operating -40°C to +105°C

Electrical

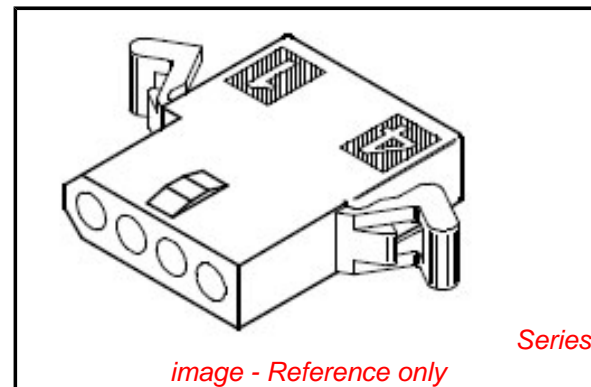
Current - Maximum per Contact 5A

Material Info

Old Part Number 1625-4R

Reference - Drawing Numbers

[Packaging Specification](#) PK-1625-001
[Product Specification](#) PS-02-06
[Sales Drawing](#) SD-1625-4*



EU RoHS

ELV and RoHS Compliant
REACH SVHC
Contains SVHC: No
Halogen-Free
Status

China RoHS



Need more information on product environmental compliance?

Email productcompliance@molex.com
For a multiple part number RoHS Certificate of Compliance, [click here](#)

Please visit the [Contact Us](#) section for any non-product compliance questions.

Search Parts in this Series

[1625Series](#)

Mates With

[1625 Plug](#)

Use With

Female Crimp Terminals [1561](#)[Link:4559](#), [4529](#), [2190](#), [2189](#), [1787](#), [1855](#). Male Crimp Terminals [1560](#), [1786](#), [1854](#), [1778](#). Male PC Tail Terminals. [1779](#) Female PC Tail Terminals

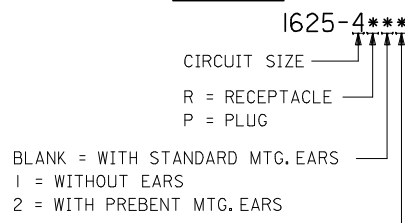
This document was generated on 06/07/2010

PLEASE CHECK WWW.MOLEX.COM FOR LATEST PART INFORMATION

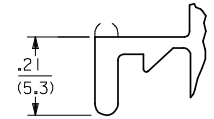
PLUG		
PART NO.	ENG. NO.	
03-06-2041	I625-4P	
03-06-7041	I625-4PBK	OBSOLETE
03-06-2042	I625-4P1	
03-06-7042	I625-4P1BK	
NOT TOOLED	I625-4P2	
NOT TOOLED	I625-4P2BK	
	-	
	-	

RECEPTACLE		
PART NO.	ENG. NO.	
03-06-1041	I625-4R	OBSOLETE
03-06-6041	I625-4RBK	OBSOLETE
03-06-1042	I625-4R1	
03-06-6042	I625-4R1BK	
50-29-1758	I625-4R2	
	-	
	-	
	-	

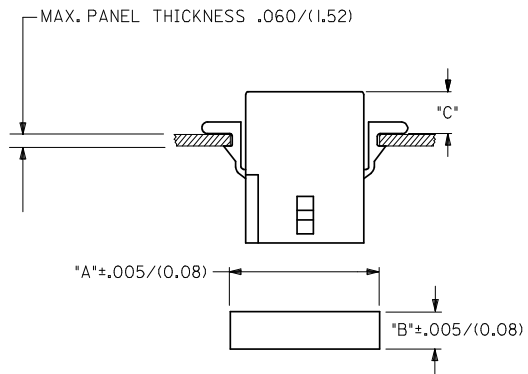
LEGEND:



BLANK = NOT DYED
 AM=AMBER BK=BLACK BU=BLUE
 BN=BROWN GY=GRAY GN=GREEN
 OR=ORANGE RD=RED YW=YELLOW

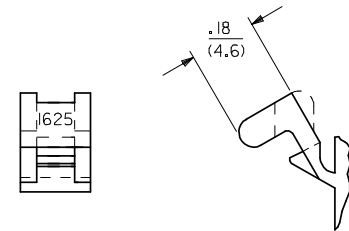


DETAIL 1
 STANDARD MOUNTING EARS
 (SCALE 4:1)



RECOMMENDED PANEL OPENING

HOUSING	DIM. "A"	DIM. "B"	"C" PREBENT EAR	"C" STANDARD EAR
PLUG	.865/(21.97)	.312/(7.92)	.19/(4.8)	.18/(4.6)
RECEPT.	.785/(19.94)	.260/(6.60)	.21/(5.3)	.20/(5.1)



DETAIL 2
 PREBENT MOUNTING EARS
 (SCALE 4:1)

NOTES

- MATERIAL - NYLON TYPE 6/6, 94V-2
- FINISH: N/A.
- THIS PRODUCT COMPLIES WITH MOLEX PRODUCT SPECIFICATION PS-02-06
- PACKAGING: PK-1625-003.
- HOUSINGS FOR USE WITH MOLEX .062/(1.57) DIA. SERIES TERMINALS.
- CIRCUIT I.D. NUMBERS ON SIDE OF HOUSING APPEAR ON PARTS FROM TOOLS BUILT AFTER 8/10/92. PARTS FROM TOOLS BUILT BEFORE THIS DATE WILL HAVE CIRCUIT I.D. RIBS ON HOUSING.
- PARTS CONFORM TO CLASS 'B' REQUIREMENTS OF COSMETIC SPECIFICATION PS-45499-002.

OBSOLETE 1625-4R EC NO: UCP2008-2649 DRWN: AELHAG 2008/05/02 CHKD: JBELL 2008/07/21 APPR: FSM/TH 2008/08/04	QUALITY SYMBOLS ▽=0 ▽=0	GENERAL TOLERANCES (UNLESS SPECIFIED) <table border="1"> <tr> <th></th> <th>mm</th> <th>INCH</th> </tr> <tr> <td>4 PLACES</td> <td>±---</td> <td>±---</td> </tr> <tr> <td>3 PLACES</td> <td>±---</td> <td>±.010</td> </tr> <tr> <td>2 PLACES</td> <td>±0.25</td> <td>±.014</td> </tr> <tr> <td>1 PLACE</td> <td>±0.36</td> <td>±---</td> </tr> </table>		mm	INCH	4 PLACES	±---	±---	3 PLACES	±---	±.010	2 PLACES	±0.25	±.014	1 PLACE	±0.36	±---	DIMENSION STYLE IN/MM	SCALE ---	DESIGN UNITS INCH	THIRD ANGLE PROJECTION
		mm	INCH																		
	4 PLACES	±---	±---																		
	3 PLACES	±---	±.010																		
2 PLACES	±0.25	±.014																			
1 PLACE	±0.36	±---																			
DRAFT WHERE APPLICABLE MUST REMAIN WITHIN DIMENSIONS		DRAWN BY: GC 8/17/92 CHECKED BY: RW 8/17/92 APPROVED BY: RAS 8/17/92	TITLE PLUG & RECEPTACLE HOUSINGS, 4 CIRCUIT, .062 DIA., .145 CENTERS	MOLEX INCORPORATED																	
SEE CHART		MATERIAL NO.		DOCUMENT NO.		SHEET NO.															
SIZE		THIS DRAWING CONTAINS INFORMATION THAT IS PROPRIETARY TO MOLEX INCORPORATED AND SHOULD NOT BE USED WITHOUT WRITTEN PERMISSION																			