

PLEASE CHECK WWW.MOLEX.COM FOR LATEST PART INFORMATION

Part Number: [0395072002](#)
Status: **Active**
Description: 3.50mm (.138") Pitch Eurostyle™ Vertical Plug, with Retention Screws, Rear Wire Entry, 2 Circuits

Documents:

[3D Model](#) [Product Specification PS-39500-001 \(PDF\)](#)
[Drawing \(PDF\)](#) [RoHS Certificate of Compliance \(PDF\)](#)

General

| | |
|-----------------------------|---------------------------|
| Product Family | Terminal Blocks |
| Series | 39507 |
| Application | Wire-to-Board |
| Comments | Rear Wire Entry |
| Component Type | Plug |
| Product Literature Order No | USA-355 |
| Product Name | ESE, Eurostyle™ Pluggable |
| Type | Euro Block |

Physical

| | |
|-------------------------------|--------------------|
| Circuits (Loaded) | 2 |
| Entry Angle | Horizontal |
| Lock to Mating Part | Yes |
| Number of Rows | 1 |
| Orientation | Vertical |
| Panel Mount | No |
| Pitch - Mating Interface (in) | 0.138 In |
| Pitch - Mating Interface (mm) | 3.50 mm |
| Polarized to Mating Part | Yes |
| Stackable | No |
| Temperature Range - Operating | -40°C to +105°C |
| Wire Size AWG | 16, 18, 20, 22, 24 |
| Wire Size mm² | 0.20 - 1.31 |

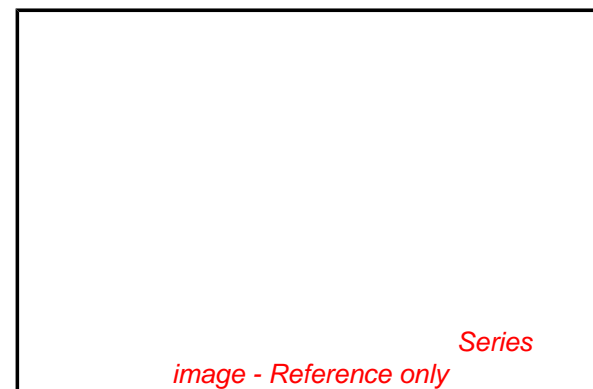
Electrical

| | |
|-------------------------------|------|
| Current - Maximum per Contact | 8A |
| Voltage - Maximum | 300V |

Material Info

Reference - Drawing Numbers

| | |
|-----------------------|--------------|
| Product Specification | PS-39500-001 |
| Sales Drawing | SD-39507-002 |



EU RoHS

ELV and RoHS Compliant
REACH SVHC
 Not Reviewed
Halogen-Free Status
 Not Reviewed

China RoHS



Need more information on product environmental compliance?

Email productcompliance@molex.com
 For a multiple part number RoHS Certificate of Compliance, [click here](#)

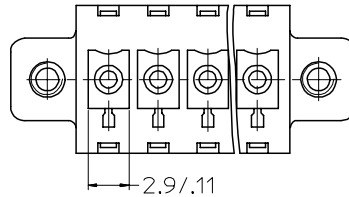
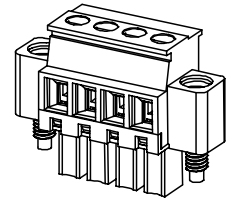
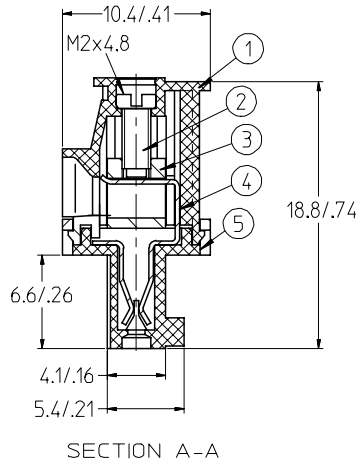
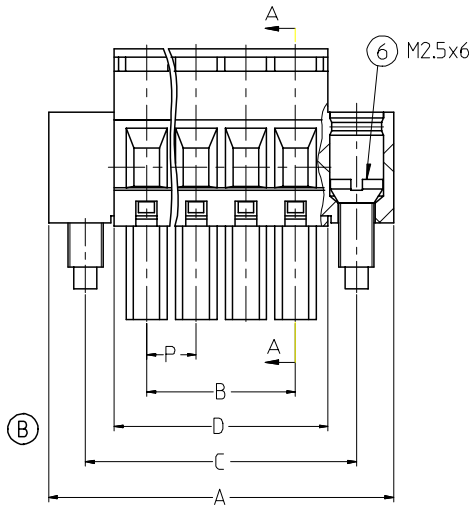
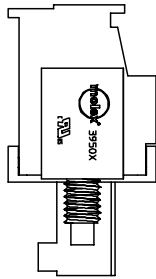
Please visit the [Contact Us](#) section for any non-product compliance questions.

Search Parts in this Series

[39507Series](#)

Mates With

Most 3.50mm (.138") Pitch Industry Standard PCB Headers, [39505](#) Vertical PCB Header with Threaded Retention Inserts, [39506](#) Horizontal PCB Header with Threaded Retention Inserts



SPECIFICATIONS:

- 1. Material:
 - (1). Body: PA66 (UL94,V-0).
 - (2). Screw: Steel
 - (3). Block: Brass
 - (4). Contact: Brass
 - (5). Cover: PA66 (UL94,V-0).
- 2. Wire range: 16-24 AWG
- 3. Max torque: 2.0 lbf.in.
- 4. Electrical rating: 300V, 8A.
- 5. Wire strip length: 6.5mm.
- 6. Operating temperature: -40 °C to +105 °C.
- 7. Insulation resistance: DC 500V, 500Megohms
- 8. Dielectric withstand: AC 2500V for 1 minute.
- 9. Breakdown voltage: 4000V
- 10. Contact resistance: <10 milliohms
- 11. A = B+13.80
- 12. B = (N-1) X P
- 13. C = B+8.60
- 14. D = B+4.60
- 15. P (PITCH) = 3.50MM (.138 inch)
- 16. N = Number of positions available 2 through 20.
- 17. ALL COMPONENTS ARE ROHS COMPLIANT.

| | | | | | | | | | |
|--|-------------------------------|---------------------------------------|-------------------------|-----------------------|---|--------------------|------------------------|---|--|
| EDIT TITLE EC NO: ETC2007-0459 DRWN: CLYORK 2007/06/21 CHKD: JMACNEIL 2007/06/22 APPR: JMACNEIL 2007/06/25 | QUALITY SYMBOLS ▽=0 ▽=0 | GENERAL TOLERANCES (UNLESS SPECIFIED) | | DIMENSION STYLE | SCALE | DESIGN UNITS | THIRD ANGLE PROJECTION | | |
| | | | | MM/IN | 3:1 | INCH | | | |
| | | 4 PLACES ± --- ± .0015 | 3 PLACES ± 0.038 ± .005 | 2 PLACES ± 0.13 ± .01 | 1 PLACE ± 0.3 ± --- | DRAWN BY | DATE | TITLE | |
| | | ANGULAR ± 2 ° | | | | EHILE | 2006/03/20 | (B) 3.50MM, EURO PLUG, VERTICAL, REAR WIRE ENTRY, MOUNTING ENDS | |
| DRAFT WHERE APPLICABLE MUST REMAIN WITHIN DIMENSIONS | | | | CHECKED BY | DATE | MOLEX INCORPORATED | | | |
| | | | | APPROVED BY | DATE | DOCUMENT NO. | SHEET NO. | | |
| | | | | RDEROSS | 2006/03/20 | SD-39507-002 | 1 OF 2 | | |
| | | | | MATERIAL NO. | THIS DRAWING CONTAINS INFORMATION THAT IS PROPRIETARY TO MOLEX INCORPORATED AND SHOULD NOT BE USED WITHOUT WRITTEN PERMISSION | | | | |
| | | | | SEE CHART | | | | | |

| Circuit size | Material Numbers | | | | | | | | | | | | Dimensional Information B | | | | | | | | |
|--------------|------------------|-----------|-----------|------------------|-----------|-----------|------------------|-----------|-----------|------------------|-----------|-----------|---|------|-------|------|-------|------|-------|------|------|
| | Black | | | | | | Green | | | | | | | | | | | | | | |
| | 100% Tin | | | 30 u" Gold | | | 100% Tin | | | 30 u" Gold | | | Dim. A | | Dim B | | Dim C | | Dim D | | |
| | Printing Options | | | Printing Options | | | Printing Options | | | Printing Options | | | mm | inch | mm | inch | mm | inch | mm | inch | |
| | None | 10AV | 11AV | None | 10AV | 11AV | None | 10AV | 11AV | None | 10AV | 11AV | None | 10AV | 11AV | mm | inch | mm | inch | mm | inch |
| 2 | 395072002 | 395072302 | 395072402 | 395072502 | 395072802 | 395072902 | 395077002 | 395077302 | 395077402 | 395077502 | 395077802 | 395077902 | 17.3 | .68 | 3.5 | .14 | 12.1 | .48 | 8.1 | .32 | |
| 3 | 395072003 | 395072303 | 395072403 | 395072503 | 395072803 | 395072903 | 395077003 | 395077303 | 395077403 | 395077503 | 395077803 | 395077903 | 20.8 | .82 | 7.0 | .28 | 15.6 | .61 | 11.6 | .46 | |
| 4 | 395072004 | 395072304 | 395072404 | 395072504 | 395072804 | 395072904 | 395077004 | 395077304 | 395077404 | 395077504 | 395077804 | 395077904 | 24.3 | .96 | 10.5 | .41 | 19.1 | .75 | 15.1 | .59 | |
| 5 | 395072005 | 395072305 | 395072405 | 395072505 | 395072805 | 395072905 | 395077005 | 395077305 | 395077405 | 395077505 | 395077805 | 395077905 | 27.8 | 1.09 | 14.0 | .55 | 22.6 | .89 | 18.6 | .73 | |
| 6 | 395072006 | 395072306 | 395072406 | 395072506 | 395072806 | 395072906 | 395077006 | 395077306 | 395077406 | 395077506 | 395077806 | 395077906 | 31.3 | 1.23 | 17.5 | .69 | 26.1 | 1.03 | 22.1 | .87 | |
| 7 | 395072007 | 395072307 | 395072407 | 395072507 | 395072807 | 395072907 | 395077007 | 395077307 | 395077407 | 395077507 | 395077807 | 395077907 | 34.8 | 1.37 | 21.0 | .83 | 29.6 | 1.17 | 25.6 | 1.01 | |
| 8 | 395072008 | 395072308 | 395072408 | 395072508 | 395072808 | 395072908 | 395077008 | 395077308 | 395077408 | 395077508 | 395077808 | 395077908 | 38.3 | 1.51 | 24.5 | .97 | 33.1 | 1.30 | 29.1 | 1.15 | |
| 9 | 395072009 | 395072309 | 395072409 | 395072509 | 395072809 | 395072909 | 395077009 | 395077309 | 395077409 | 395077509 | 395077809 | 395077909 | 41.8 | 1.65 | 28.0 | 1.10 | 36.6 | 1.44 | 32.6 | 1.28 | |
| 10 | 395072010 | 395072310 | 395072410 | 395072510 | 395072810 | 395072910 | 395077010 | 395077310 | 395077410 | 395077510 | 395077810 | 395077910 | 45.3 | 1.78 | 31.5 | 1.24 | 40.1 | 1.58 | 36.1 | 1.42 | |
| 11 | 395072011 | 395072311 | 395072411 | 395072511 | 395072811 | 395072911 | 395077011 | 395077311 | 395077411 | 395077511 | 395077811 | 395077911 | 48.8 | 1.92 | 35.0 | 1.38 | 43.6 | 1.72 | 39.6 | 1.56 | |
| 12 | 395072012 | 395072312 | 395072412 | 395072512 | 395072812 | 395072912 | 395077012 | 395077312 | 395077412 | 395077512 | 395077812 | 395077912 | 52.3 | 2.06 | 38.5 | 1.52 | 47.1 | 1.85 | 43.1 | 1.70 | |
| 13 | 395072013 | 395072313 | 395072413 | 395072513 | 395072813 | 395072913 | 395077013 | 395077313 | 395077413 | 395077513 | 395077813 | 395077913 | 55.8 | 2.20 | 42.0 | 1.65 | 50.6 | 1.99 | 46.6 | 1.83 | |
| 14 | 395072014 | 395072314 | 395072414 | 395072514 | 395072814 | 395072914 | 395077014 | 395077314 | 395077414 | 395077514 | 395077814 | 395077914 | 59.3 | 2.34 | 45.5 | 1.79 | 54.1 | 2.13 | 50.1 | 1.97 | |
| 15 | 395072015 | 395072315 | 395072415 | 395072515 | 395072815 | 395072915 | 395077015 | 395077315 | 395077415 | 395077515 | 395077815 | 395077915 | 62.8 | 2.47 | 49.0 | 1.93 | 57.6 | 2.27 | 53.6 | 2.11 | |
| 16 | 395072016 | 395072316 | 395072416 | 395072516 | 395072816 | 395072916 | 395077016 | 395077316 | 395077416 | 395077516 | 395077816 | 395077916 | 66.3 | 2.61 | 52.5 | 2.07 | 61.1 | 2.41 | 57.1 | 2.25 | |
| 17 | 395072017 | 395072317 | 395072417 | 395072517 | 395072817 | 395072917 | 395077017 | 395077317 | 395077417 | 395077517 | 395077817 | 395077917 | 69.8 | 2.75 | 56.0 | 2.21 | 64.6 | 2.54 | 60.6 | 2.39 | |
| 18 | 395072018 | 395072318 | 395072418 | 395072518 | 395072818 | 395072918 | 395077018 | 395077318 | 395077418 | 395077518 | 395077818 | 395077918 | 73.3 | 2.89 | 59.5 | 2.34 | 68.1 | 2.68 | 64.1 | 2.52 | |
| 19 | 395072019 | 395072319 | 395072419 | 395072519 | 395072819 | 395072919 | 395077019 | 395077319 | 395077419 | 395077519 | 395077819 | 395077919 | 76.8 | 3.02 | 63.0 | 2.48 | 71.6 | 2.82 | 67.6 | 2.66 | |
| 20 | 395072020 | 395072320 | 395072420 | 395072520 | 395072820 | 395072920 | 395077020 | 395077320 | 395077420 | 395077520 | 395077820 | 395077920 | 80.3 | 3.16 | 66.5 | 2.62 | 75.1 | 2.96 | 71.1 | 2.80 | |

| | | | | | | | | | |
|---|-------------------------------|--|--|-----------------|--|---|--------------|----------------------------|--------|
| SEE SHEET ONE EC NO: ETC2007-0459 DRWN: CLYORK 2007/06/21 CHKD: JMACNEIL 2007/06/22 APPR: JMACNEIL 2007/06/25 | QUALITY SYMBOLS ▽=0 ▽=0 | GENERAL TOLERANCES (UNLESS SPECIFIED) | | DIMENSION STYLE | | SCALE | DESIGN UNITS | THIRD ANGLE PROJECTION | |
| | | | | MM/IN | | 3:1 | INCH | | |
| | | | | DRAWN BY DATE | | TITLE | | | |
| | | | | CHECKED BY DATE | | MOLEX INCORPORATED | | | |
| | | APPROVED BY DATE | | MATERIAL NO. | | DOCUMENT NO. | | SHEET NO. | |
| | | RDEROSS 2006/03/20 | | SEE CHART | | SD-39507-002 | | | 2 OF 2 |
| | | DRAFT WHERE APPLICABLE MUST REMAIN WITHIN DIMENSIONS | | SIZE B | | THIS DRAWING CONTAINS INFORMATION THAT IS PROPRIETARY TO MOLEX INCORPORATED AND SHOULD NOT BE USED WITHOUT WRITTEN PERMISSION | | | |