

PLEASE CHECK WWW.MOLEX.COM FOR LATEST PART INFORMATION

Part Number: [0495100205](#)
Status: **Active**
Description: PT Bulb Socket, Single Housing Assembly, Type A, Gray

Documents:

[3D Model](#) [Product Specification PS-49504-001 \(PDF\)](#)
[Drawing \(PDF\)](#) [RoHS Certificate of Compliance \(PDF\)](#)

General

Product Family	Other Sockets
Series	49510
Comments	A-Type
Component Type	Socket
Product Name	Bulb Socket

Physical

Circuits (Loaded)	2
Circuits (maximum)	2
Color - Resin	Gray
Durability (mating cycles max)	30
Entry Angle	Vertical (Top Entry)
Keying to Mating Part	None
Material - Metal	Phosphor Bronze
Material - Resin	Nylon
PCB Locator	No
PCB Retention	N/A
Packaging Type	Bag
Pitch - Mating Interface (in)	0.000 In
Pitch - Mating Interface (mm)	0.00 mm
Pitch - Term. Interface (in)	0.000 In
Pitch - Term. Interface (mm)	0.00 mm
Temperature Range - Operating	-40°C to +80°C
Termination Interface: Style	Through Hole

Electrical

Current - Maximum per Contact	1A
Voltage - Maximum	12V

Material Info

Reference - Drawing Numbers

Product Specification	PS-49504-001
Sales Drawing	SD-49510-001



EU RoHS

**ELV and RoHS
Compliant**
**REACH SVHC
Not Reviewed**
**Halogen-Free
Status
Not Reviewed**

China RoHS



**Need more information on product
environmental compliance?**

Email productcompliance@molex.com
 For a multiple part number RoHS Certificate of
 Compliance, [click here](#)

Please visit the [Contact Us](#) section for any
 non-product compliance questions.

Search Parts in this Series

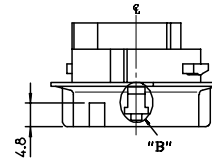
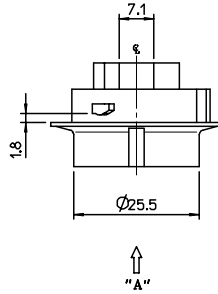
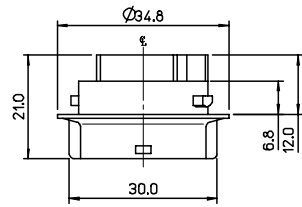
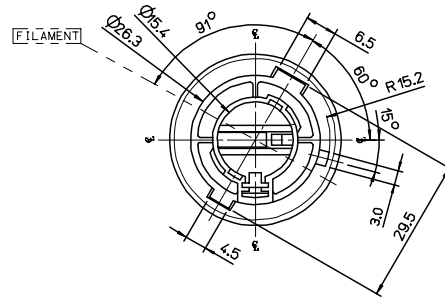
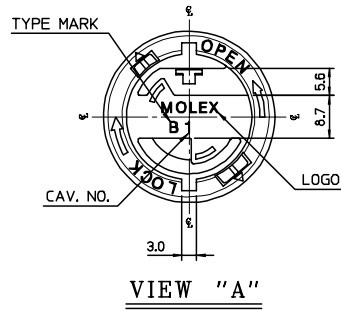
[49510Series](#)

Mates With

Lamp

Use With

[35438-8000](#) , [35439-8000](#)



NOTES:

NO.	DESCRIPTION	MATERIAL	ENG. NO.	REMARK
1	SINGLE SOCKET- B TYPE	POLYAMIDE(PA66)	49510-020*	LCL=35mm
2	POSITIVE TERMINAL	PHOSPHOR BRONZE	35438-8000	UNPLATED
3	EARTH TERMINAL	PHOSPHOR BRONZE	35439-8000	UNPLATED

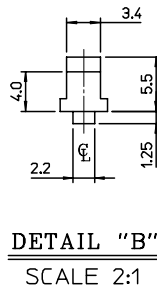
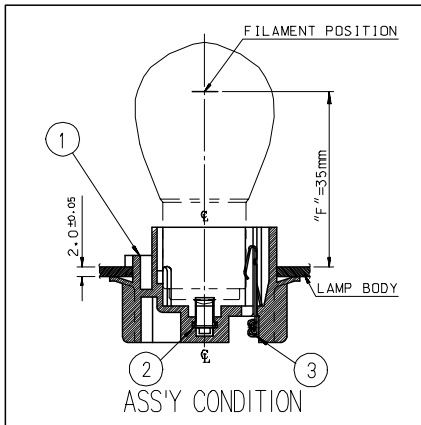
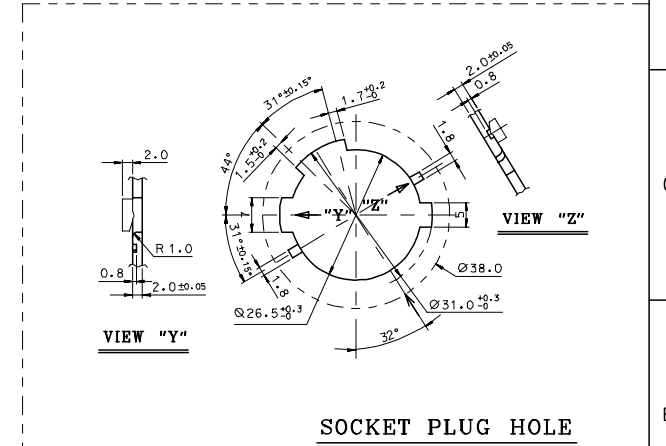
MXK SERIES NO.

49510 - * * * *

CIRCUIT NO.

- SOCKET COLOR
- 0: NATURAL
 - 1: BLACK
 - 2: RED
 - 3: YELLOW
 - 4: BLUE
 - 5: GRAY
 - 6: WHITE
 - 7: BROWN
 - : ON THE MARKET

- 0: 'A' TYPE
- 1: 'B' TYPE
- 2: 'C' TYPE
- 3: 'EC' TYPE
- 4: 'D' TYPE



CHANGED OF NOTES EC NO: KOR2008-0095 DRW:EEKIM 2007/11/29 CHKD:BCYOON 2007/11/30 APPR:YUNSIKKIM 2007/11/30	DESCRIPTION
	REV
	QUALITY SYMBOLS
	GENERAL TOLERANCES (UNLESS SPECIFIED)

QUALITY SYMBOLS	
▽=0	
∇=0	

GENERAL TOLERANCES (UNLESS SPECIFIED)	
mm	INCH
4 PLACES ± ---	± ---
3 PLACES ± ---	± ---
2 PLACES ± 0.2	± ---
1 PLACE ± 0.3	± ---
ANGULAR ± 1 °	

DRAFT WHERE APPLICABLE
MUST REMAIN WITHIN DIMENSIONS

DIMENSION STYLE MM ONLY	
DRAWN BY SMK IM	DATE 2004/05/12
CHECKED BY BCYOON	DATE 2004/05/12
APPROVED BY CWLEE	DATE 2004/05/12
MATERIAL NO. 49510020*	DOCUMENT NO. SD-49510-001

SCALE 1:1	DESIGN UNITS METRIC	THIRD ANGLE PROJECTION
TITLE NON-SEALED BULB SOCKET SINGLE HOUSING-B TYPE (LCL=35MM)		
MOLEX INCORPORATED		
SHEET NO. 1 OF 1		