

**PLEASE CHECK WWW.MOLEX.COM FOR LATEST PART INFORMATION**

**Part Number:** [0520302329](#)  
**Status:** **Active**  
**Overview:**  
**Description:** 1.00mm (.039") Pitch FFC/FPC Connector, Through-Hole, Vertical, ZIF Receptacle, 23 Circuits, Lead-free

**General**

|                |                     |
|----------------|---------------------|
| Product Family | FFC/FPC Connectors  |
| Series         | 52030               |
| Overview       | ffc_fpc_throughhole |
| Product Name   | N/A                 |

**Physical**

|                                |                  |
|--------------------------------|------------------|
| Circuits (Loaded)              | 23               |
| Contact Position               | N/A              |
| Durability (mating cycles max) | 30               |
| Entry Angle                    | Vertical         |
| Mated Height (in)              | 0.205 In         |
| Mated Height (mm)              | 5.20 mm          |
| Material - Metal               | Phosphor Bronze  |
| Material - Plating Mating      | Tin-Bismuth      |
| Material - Plating Termination | Tin-Bismuth      |
| Material - Resin               | Nylon, Polyester |
| Number of Rows                 | 1                |
| Orientation                    | Vertical         |
| PC Tail Length (in)            | 0.126 In         |
| PC Tail Length (mm)            | 3.20 mm          |
| PCB Retention                  | Yes              |
| PCB Thickness Recommended (in) | 0.063 In         |
| PCB Thickness Recommended (mm) | 1.60 mm          |
| Packaging Type                 | Tray             |
| Pitch - Mating Interface (in)  | 0.039 In         |
| Pitch - Mating Interface (mm)  | 1.00 mm          |
| Polarized to PCB               | No               |
| Stackable                      | No               |
| Temperature Range - Operating  | -20°C to +80°C   |
| Termination Interface: Style   | Through Hole     |
| Wire/Cable Type                | FFC/FPC          |

**Electrical**

|                               |     |
|-------------------------------|-----|
| Current - Maximum per Contact | 1A  |
| Voltage - Maximum             | 50V |

**Material Info**

**Reference - Drawing Numbers**

|                       |  |
|-----------------------|--|
| Product Specification | PS-52030-004, RPS-52030-005, RPS-52030-006,<br>RPS-52030-018, RPS-52030-019, RPS-52030-023 |
| Sales Drawing         | SD-52030-017   |

**EU RoHS**

**ELV and RoHS  
Compliant**

**REACH SVHC**

Not Reviewed

**Halogen-Free**

**Status**

**Not Reviewed**

**China RoHS**



**Need more information on product  
environmental compliance?**

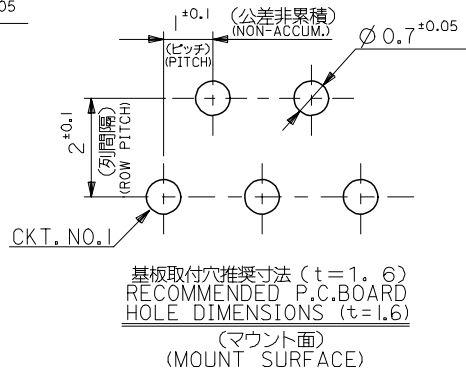
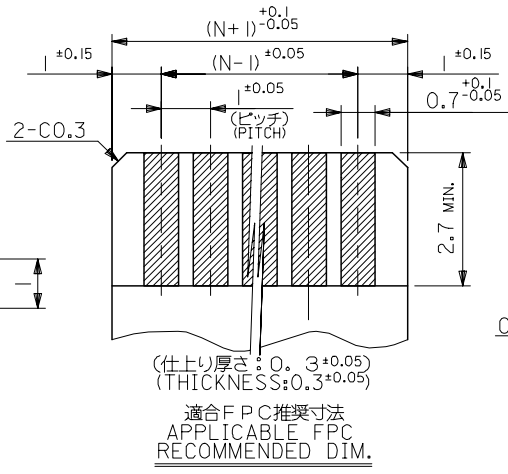
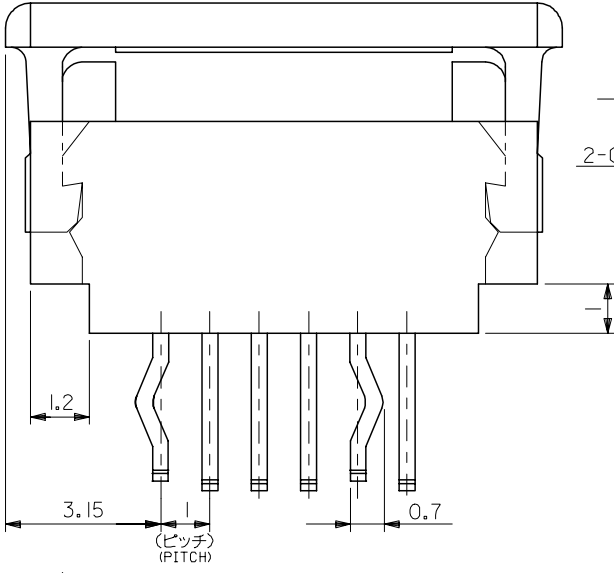
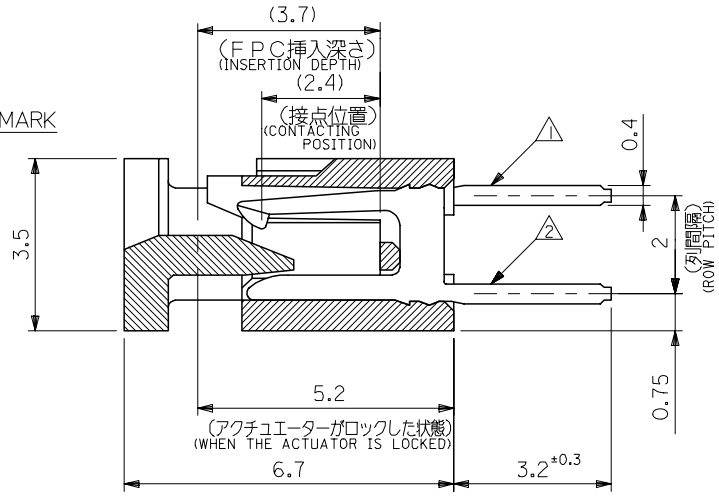
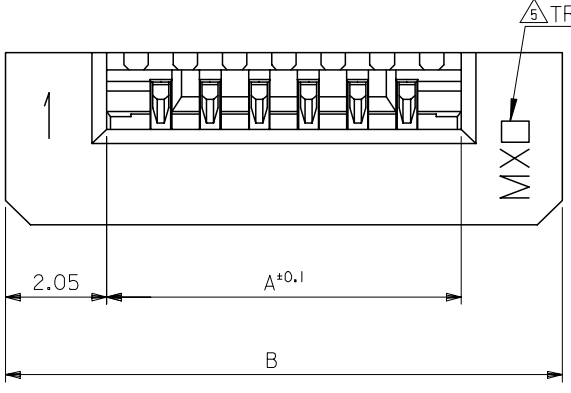
Email [productcompliance@molex.com](mailto:productcompliance@molex.com)  
For a multiple part number RoHS Certificate of Compliance, [click here](#)

Please visit the [Contact Us](#) section for any non-product compliance questions.

**Search Parts in this Series**

[52030Series](#)

10 9 8 7 6 5 4 3 2 1



TRADE MARK  
MADE IN JAPAN:MXJ  
MADE IN MALAYSIA:MXL

FPCについて:  
打抜き方向は導体側から補強板側を推奨致します。  
補強フィルム材質はポリイミドを推奨致します。  
接着剤は熱硬化接着剤を推奨致します。

ABOUT FPC:  
RECOMMENDED PUNCHER DIRECTION :FORM CONDUCTOR SIDE TO STIFFENER BOARD SIDE.  
RECOMMENDED MATERIAL :  
STIFFENER FILM : POLYIMIDE  
BONDING AGENT : THEROSETTING BONDING AGENT

|      |      |              |            |
|------|------|--------------|------------|
| 35.3 | 31.2 | 52030-3029   | 30         |
| 34.3 | 30.2 | -2929        | 29         |
| 33.3 | 29.2 | -2829        | 28         |
| 32.3 | 28.2 | -2729        | 27         |
| 31.3 | 27.2 | -2629        | 26         |
| 30.3 | 26.2 | -2529        | 25         |
| 29.3 | 25.2 | -2429        | 24         |
| 28.3 | 24.2 | -2329        | 23         |
| 27.3 | 23.2 | -2229        | 22         |
| 26.3 | 22.2 | -2129        | 21         |
| 25.3 | 21.2 | -2029        | 20         |
| 24.3 | 20.2 | -1929        | 19         |
| 23.3 | 19.2 | -1829        | 18         |
| 22.3 | 18.2 | -1729        | 17         |
| 21.3 | 17.2 | -1629        | 16         |
| 20.3 | 16.2 | -1529        | 15         |
| 19.3 | 15.2 | -1429        | 14         |
| 18.3 | 14.2 | -1329        | 13         |
| 17.3 | 13.2 | -1229        | 12         |
| 16.3 | 12.2 | -1129        | 11         |
| 15.3 | 11.2 | -1029        | 10         |
| 14.3 | 10.2 | -0929        | 9          |
| 13.3 | 9.2  | -0829        | 8          |
| 12.3 | 8.2  | -0729        | 7          |
| 11.3 | 7.2  | -0629        | 6          |
| 10.3 | 6.2  | -0529        | 5          |
| 9.3  | 5.2  | -0429        | 4          |
| 8.3  | 4.2  | 52030-0329   | 3          |
| B    | A    | MATERIAL NO. | 極数<br>CKT. |

注記:  
 △ CKT. NO. 1を基準に偶数番目のソルダーテール。  
 EVEN NUMBER SOLDER TAIL.  
 △ CKT. NO. 1を基準に奇数番目のソルダーテール。  
 ODD NUMBER SOLDER TAIL.  
 3. 材料:  
 MATERIAL:  
 ターミナル: リン青銅, ニッケル下地, 錫ビスマスメッキ (t=0.32)  
 TERMINAL: PHOSPHOR BRONZE, TIN-BISMUTH OVER NICKEL PLATING.(t=0.32)  
 ハウジング: 66ナイロン, UL94V-0  
 HOUSING: 66NYLON, UL94V-0  
 アクチュエーター: ポリエステル, UL94V-0  
 ACTUATOR: POLYESTER, UL94V-0  
 4. 本製品は52030-\*\*\*10の鉛フリー品である。  
 THIS PRODUCT IS LEAD FREE OF 52030-\*\*\*10.

|   |             |   |       |                            |                   |                                   |                         |                        |  |
|---|-------------|---|-------|----------------------------|-------------------|-----------------------------------|-------------------------|------------------------|--|
| REVISED<br>EC NO: J2008-1613<br>DRWNY: A0YAGI 2007/10/30<br>CHKD: THARUYAMA 2007/10/30<br>APPR: NUKITA 2007/10/30 | DESCRIPTION | GENERAL TOLERANCES (UNLESS SPECIFIED)   |       | DIMENSION STYLE<br>MM ONLY |                   | SCALE<br>10:1                     | DESIGN UNIT'S<br>METRIC | THIRD ANGLE PROJECTION |  |
|   |             | 10 UNDER  | ±0.2  | DRAWN BY<br>YWADA          | DATE<br>'04/03/29 | TITLE<br>1.0 FPC CONN ZIF ST      |                         |                        |  |
|   |             | 10 OVER 30 UNDER  | ±0.25 | CHECKED BY<br>MSASAO       | DATE<br>'04/03/29 | -LEAD FREE-<br>MOLEX INCORPORATED |                         |                        |  |
|   |             | 30 OVER   | ±0.3  | APPROVED BY<br>MSASAO      | DATE<br>'04/03/29 |                                   |                         |                        |  |
| ANGULAR ±3 °  |             | DRAFT WHERE APPLICABLE MUST REMAIN WITHIN DIMENSIONS  |       | MATERIAL NO.<br>SEE TABLE  |                   | DOCUMENT NO.<br>SD-52030-017      |                         | SHEET NO.<br>1 OF 1    |  |
| SIZE<br>A3  |             | THIS DRAWING CONTAINS INFORMATION THAT IS PROPRIETARY TO MOLEX INCORPORATED AND SHOULD NOT BE USED WITHOUT WRITTEN PERMISSION |       |                            |                   |                                   |                         |                        |  |