

**PLEASE CHECK WWW.MOLEX.COM FOR LATEST PART INFORMATION**

**Part Number:** [0529010474](#)  
**Status:** **Active**  
**Description:** 0.635mm (.025") Pitch SlimStack™ Receptacle, Surface Mount, Dual Row, Vertical Stacking, 11.00 to 16.00mm (.433 to .630") Stacking Heights, Embossed Tape with Cover Packaging, 40 Circuits, Lead-free

**Documents:**

[3D Model](#) [Product Specification PS-52760-015 \(PDF\)](#)  
[Drawing \(PDF\)](#) [RoHS Certificate of Compliance \(PDF\)](#)

**Agency Certification**

UL E29179

**General**

Product Family PCB Receptacles  
 Series [52901](#)  
 Application Board-to-Board  
 MolexKits Yes  
 Product Name SlimStack™

**Physical**

Circuits (Loaded) 40  
 Color - Resin White  
 Durability (mating cycles max) 50  
 Flammability 94V-0  
 Glow-Wire Compliant No  
 Lock to Mating Part Yes  
 Mated Height (mm) 11.00 mm, 12.00 mm, 13.00 mm, 14.00 mm, 15.00 mm, 16.00 mm  
 Material - Metal Phosphor Bronze  
 Material - Plating Mating Gold  
 Material - Plating Termination Tin  
 Number of Rows 2  
 Orientation Vertical  
 PCB Locator Yes  
 PCB Retention Yes  
 Packaging Type Embossed Tape on Reel  
 Pitch - Mating Interface (in) 0.025 In  
 Pitch - Mating Interface (mm) 0.64 mm  
 Polarized to PCB Yes  
 Robotic Placement Pick and Place Cap  
 Temperature Range - Operating -55°C to +85°C  
 Termination Interface: Style Surface Mount

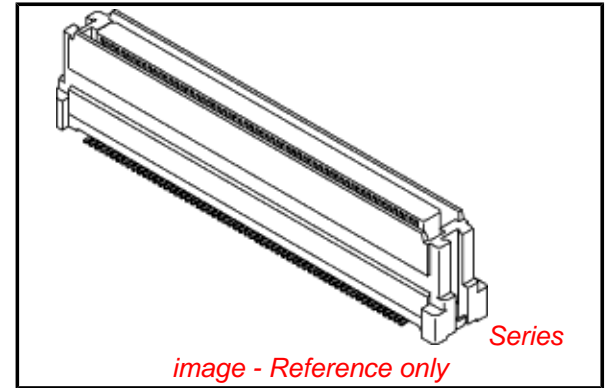
**Electrical**

Current - Maximum per Contact 0.5A  
 Voltage - Maximum 100V

**Material Info**

**Reference - Drawing Numbers**

Packaging Specification SPK-52901-001  
 Product Specification PS-52760-015, RPS-52760-017, RPS-52760-018, RPS-52760-020, RPS-52760-021, RPS-52760-028, RPS-52760-029, RPS-52901-010, RPS-52901-012  
 Sales Drawing SD-52901-008, SD-52901-009, SD-52901-015



**EU RoHS**

**ELV and RoHS Compliant**  
**REACH SVHC**  
 Not Reviewed  
**Halogen-Free Status**  
**Not Reviewed**

**China RoHS**



**Need more information on product environmental compliance?**

Email [productcompliance@molex.com](mailto:productcompliance@molex.com)  
 For a multiple part number RoHS Certificate of Compliance, [click here](#)

Please visit the [Contact Us](#) section for any non-product compliance questions.

**Search Parts in this Series**

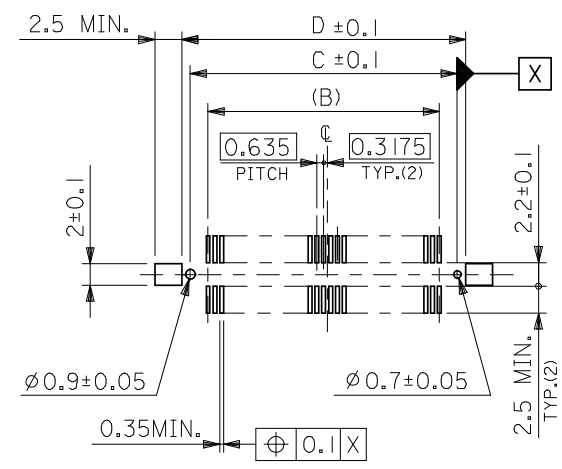
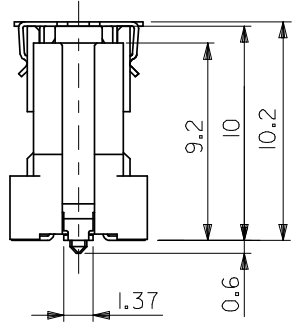
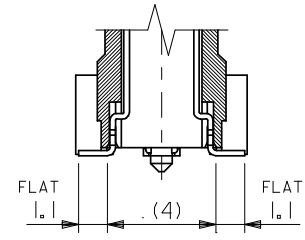
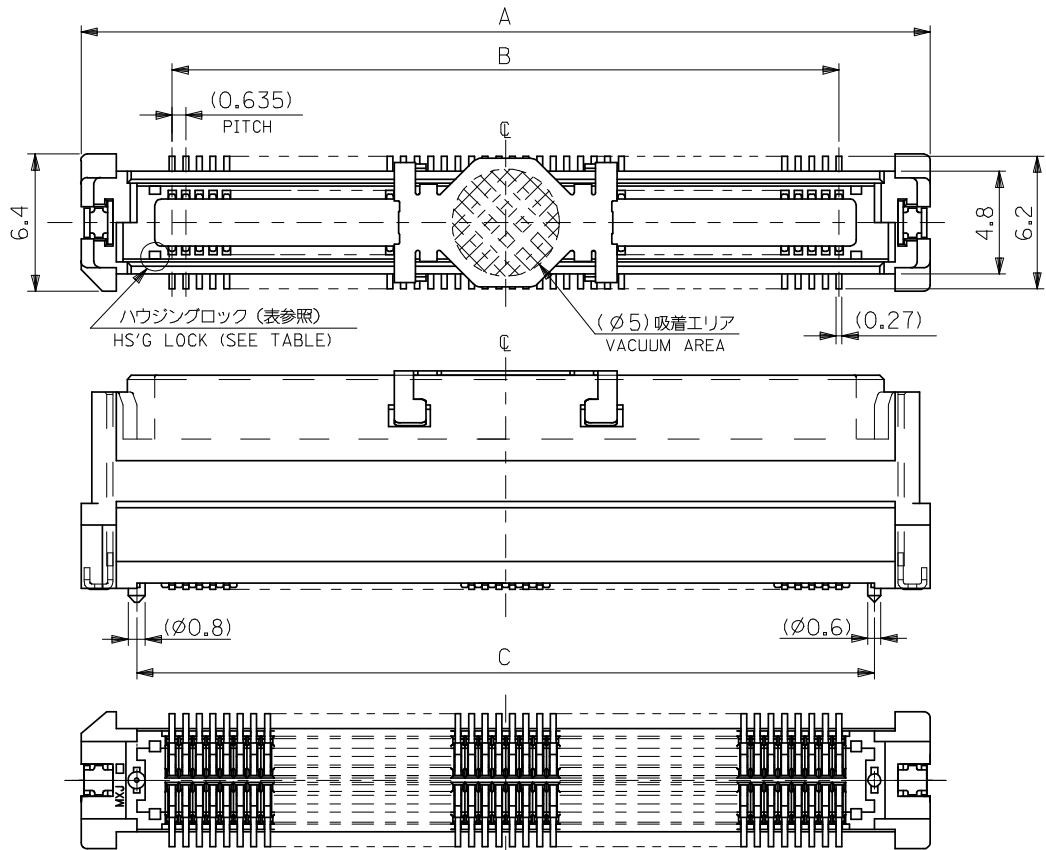
[52901Series](#)

**Mates With**

[53475](#) , [53643](#) , [55091](#) , [53481](#) , [53625](#) ,, [53551](#) , [53647](#) , [53552](#) , [53649](#) , [53553](#) , [53627](#)

This document was generated on 06/07/2010

**PLEASE CHECK [WWW.MOLEX.COM](http://WWW.MOLEX.COM) FOR LATEST PART INFORMATION**



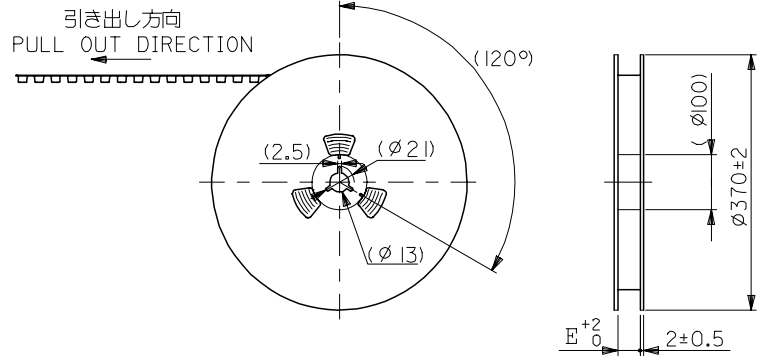
推奨基板寸法  
RECOMMENDED PCB PATTERN LAYOUT

注) NOTES

- 材質 MATERIAL  
ハウジング: ガラス入りLCP、白色、UL94V-0  
HOUSING: G.F.LCP, WHITE, UL94V-0  
ターミナル: 銅合金 (t=0.2)  
TERMINAL: COPPER ALLOY  
吸着カバー: ステンレス (t=0.2)  
VACUUM COVER: STAINLESS STEEL  
補強金具: 銅合金 (t=0.25)  
FITTING NAIL: COPPER ALLOY
- メッキ仕様 PLATING  
ターミナル: 接点部: 金メッキ 0.25μmMIN.  
CONTACT AREA: GOLD 0.25μmMIN.  
半田付け部: 錫メッキ 1μmMIN.  
SOLDER TAIL AREA: TIN 1μmMIN.  
下地メッキ: ニッケルメッキ 2μmMIN.  
UNDER-PLATING: NICKEL 2μmMIN.  
補強金具: 錫メッキ 1.0マイクロメートル以上  
FITTING NAIL: OVER PLATING TIN 1.0 MICROMETER MINIMUM  
下地メッキ ニッケルメッキ 1.0マイクロメートル以上  
UNDER PLATING NICKEL 1.0 MICROMETER MINIMUM
- テールのバラツキ寸法 TAIL COPLANARITY  
テール平坦度は、0.1 MAX.とする。  
TAILS COPLANARITY TO BE 0.1MAX.
- エンボス対応済みの種数については、SD-52901-009を参照下さい。  
FOR THE EMBOSSED PACKAGE PRODUCTS, SEE SD-52901-009.
- 本製品は 52901-\*\*\*2 の鉛フリー品である。  
THIS PRODUCT IS LEAD FREE OF 52901-\*\*\*2.

無し NO	48.72	47.12	43.815	52.32	52901-1474	52901-1475	52901-1472	140	○
	42.37	40.77	37.465	45.97	-1274	-1275	-1272	120	○
	36.02	34.42	31.115	39.62	-1074	-1075	-1072	100	○
	32.85	31.25	27.94	36.45	-0974	-0975	-0972	90	○
	29.67	28.07	24.765	33.27	-0874	-0875	-0872	80	○
有り YES	26.5	24.9	21.59	30.1	-0774	-0775	-0772	70	○
	23.32	21.72	18.415	26.92	-0674	-0675	-0672	60	○
	16.97	15.37	12.065	20.57	-0474	-0475	-0472	40	○
	13.8	12.2	8.89	17.4	-0374	-0375	-0372	30	○
10.62	9.02	5.715	14.22	52901-0274	52901-0275	52901-0272	20	○	
ハウジングブロック HS'G LOCK	D	C	B	A	エンボス梱包 EMBOSSED PACKAGING	スティック梱包 STICK PACKAGING	製品番号 MATERIAL NO.	種数 CKT. NO.	量対応 AVAILABLE
					ORDER No.	オーダー番号			

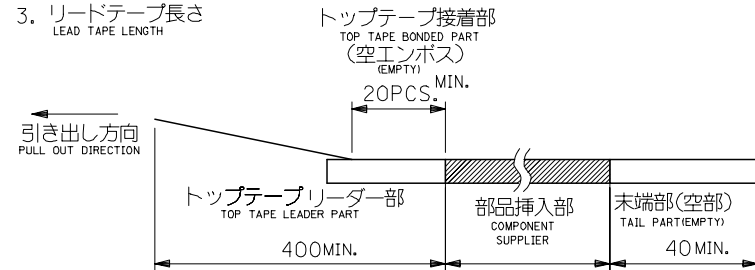
REVISED EC NO: J2008-4316 DRW: NINOMIYA CHKD: THARUYAMA APPR: NUKITA	DESCRIPTION REV	GENERAL TOLERANCES (UNLESS SPECIFIED)		DIMENSION STYLE MM ONLY		SCALE ---	DESIGN UNITS METRIC	THIRD ANGLE PROJECTION		
		10 UNDER	±0.2	DRAWN BY M. NINOMIYA	DATE '04/03/04	TITLE 0.635 PITCH B-TO-B CONN. REC. HS'G COVER ASS'Y -LEAD FREE-				
		10 OVER 30 UNDER	±0.25	CHECKED BY K. TOJO	DATE '04/03/04	MOLEX INCORPORATED				
		30 OVER	±0.3	APPROVED BY M. SASAO	DATE '04/03/04	SD-52901-008				
		ANGULAR ±3°		MATERIAL NO.	DOCUMENT NO.	SHEET NO. 1 OF 1				
DRAFT WHERE APPLICABLE MUST REMAIN WITHIN DIMENSIONS		SEE TABLE		THIS DRAWING CONTAINS INFORMATION THAT IS PROPRIETARY TO MOLEX INCORPORATED AND SHOULD NOT BE USED WITHOUT WRITTEN PERMISSION						



注)  
NOTES

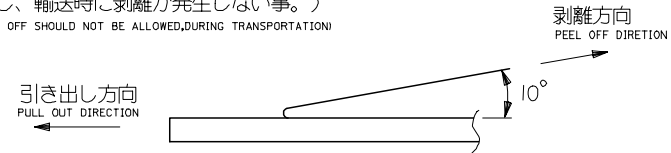
1. 製品番号 52901-\*\*\*72 の詳細寸法については、SD-52901-008 を参照下さい。  
IN THE PACKAGE, PART NO. 52901-\*\*\*72 DETAILED DIMENSIONS, SEE SD-52901-008

2. 梱包数量 : 440 個/リール  
NUMBER OF CONNECTORS : 440 PCS/REEL



4. トップテープの剥離強度 (剥離方向は下図参照)  
PEELING OFF FORCE OF TOP TAPE (PEELING DIRECTION AS SHOWN IN FOLLOWING FIG.)  
0. 1N~1.3N {10gf~130gf} : キャリアテープ幅24mm~72mm  
CARRIER TAPE WIDTH 24mm-72mm

尚、本規格値は、出荷時に適用。  
THIS REQUIREMENT SHOULD BE APPLIED AT SHIPMENT  
(但し、輸送時に剥離が発生しない事。)  
(PEEL OFF SHOULD NOT BE ALLOWED, DURING TRANSPORTATION)



5. 材料  
MATERIAL  
キャリアテープ : ポリプロピレン (PP)  
CARRIER TAPE : POLYPROPYLENE (PP)  
トップテープ : PET, PE, PEF  
TOP TAPE : PET, PE, PEF  
リール : 紙  
REEL : CARD BOARD

6. 本製品は 52901-\*\*\*4 の鉛フリー品である。  
THIS PRODUCT IS LEAD FREE OF 52901-\*\*\*4.

52901-\*\*\*74  
MODEL NO.

REVISED EC NO: J2006-0585 DRW: HVAJIMA 2005/08/25 CHK: DAN, UKITA 2005/08/25 APP: NUKITA 2005/08/31	DESCRIPTION REV	GENERAL TOLERANCES (UNLESS SPECIFIED)		DIMENSION STYLE MM ONLY		SCALE ---	DESIGN UNITS METRIC	THIRD ANGLE PROJECTION	
		10 UNDER	± ---	DRAWN BY M. NINOMIYA	DATE '04/03/04	TITLE EMBOSSED TAPE PACKAGE FOR 52901-***72 -LEAD FREE-			
		10 OVER 30 UNDER	± ---	CHECKED BY K. TOJO	DATE '04/03/04	MOLEX INCORPORATED			
		30 OVER	± ---	APPROVED BY M. SASAO	DATE '04/03/04	DOCUMENT NO. SD-52901-009			
		ANGULAR	± --- °	MATERIAL NO. SEE CHART		SHEET NO. 1 OF 3			
DRAFT WHERE APPLICABLE MUST REMAIN WITHIN DIMENSIONS		SIZE A3		THIS DRAWING CONTAINS INFORMATION THAT IS PROPRIETARY TO MOLEX INCORPORATED AND SHOULD NOT BE USED WITHOUT WRITTEN PERMISSION					

10 9 8 7 6 5 4 3 2 1

F

E

D

C

B

A

F

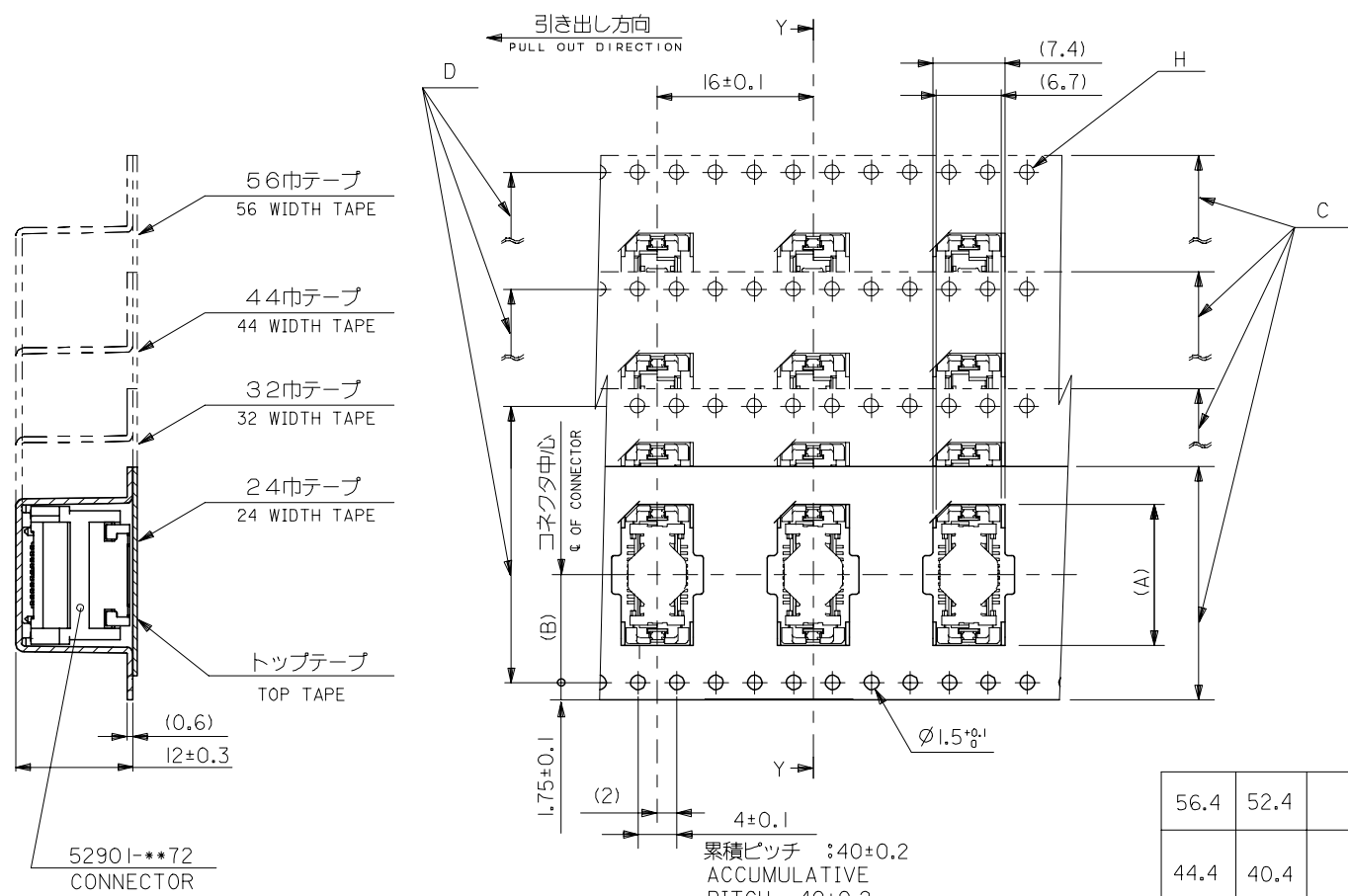
E

D

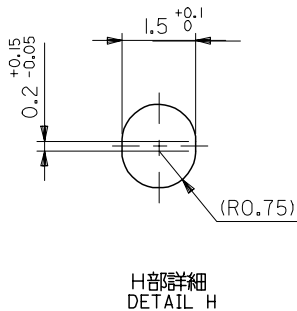
C

B

A



断面 Y-Y  
SECTION Y-Y



H部詳細  
DETAIL H

累積ピッチ : 40±0.2  
ACCUMULATIVE  
PITCH : 40±0.2

56.4	52.4	56 <sup>+0.3</sup>	26.2	39.9	52901-1074	100
				36.8	-0974	90
44.4	40.4	44 <sup>+0.3</sup>	20.2	33.6	-0874	80
				30.4	-0774	70
32.4	28.4	32 <sup>+0.3</sup>	14.2	27.2	-0674	60
				20.9	-0474	40
24.4	—	24 <sup>+0.3</sup>	11.5	17.7	-0374	30
				14.5	-0274	20
E	D	C	B	A	MATERIAL NO.	極数 CKT.NO.

REVISED EC NO: J2006-0585 DRW: HVAJIMA 2005/08/25 CHK: DN, UKITA 2005/08/25 APP: R, NUKITA 2005/08/31 REV A	GENERAL TOLERANCES (UNLESS SPECIFIED)		DIMENSION STYLE MM ONLY		SCALE ---	DESIGN UNITS METRIC	THIRD ANGLE PROJECTION
	10 UNDER	± ---	DRAWN BY M. NINOMIYA	DATE '04/03/04	TITLE EMBOSSD TAPE PACKAGE FOR 52901-**-72 -LEAD FREE-		
	10 OVER 30 UNDER	± ---	CHECKED BY K. TOJO	DATE '04/03/04	MOLEX INCORPORATED		
	30 OVER	± ---	APPROVED BY M. SASAO	DATE '04/03/04	DOCUMENT NO. SD-52901-009		
	ANGULAR	± --- °	MATERIAL NO. SEE CHART		SHEET NO. 2 OF 3		
DRAFT WHERE APPLICABLE MUST REMAIN WITHIN DIMENSIONS							
SIZE A3 THIS DRAWING CONTAINS INFORMATION THAT IS PROPRIETARY TO MOLEX INCORPORATED AND SHOULD NOT BE USED WITHOUT WRITTEN PERMISSION							

9

8

7

6

5

4

3

2

10 9 8 7 6 5 4 3 2 1

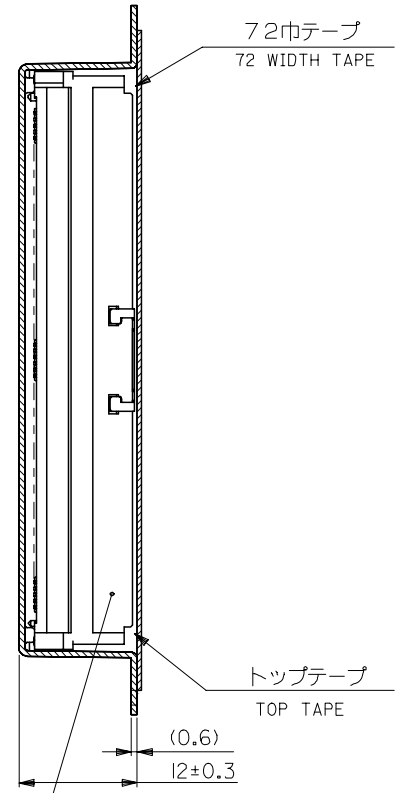
F  
E  
D  
C  
B  
A

A

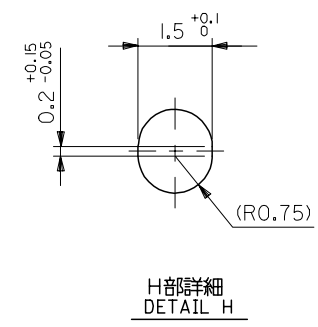
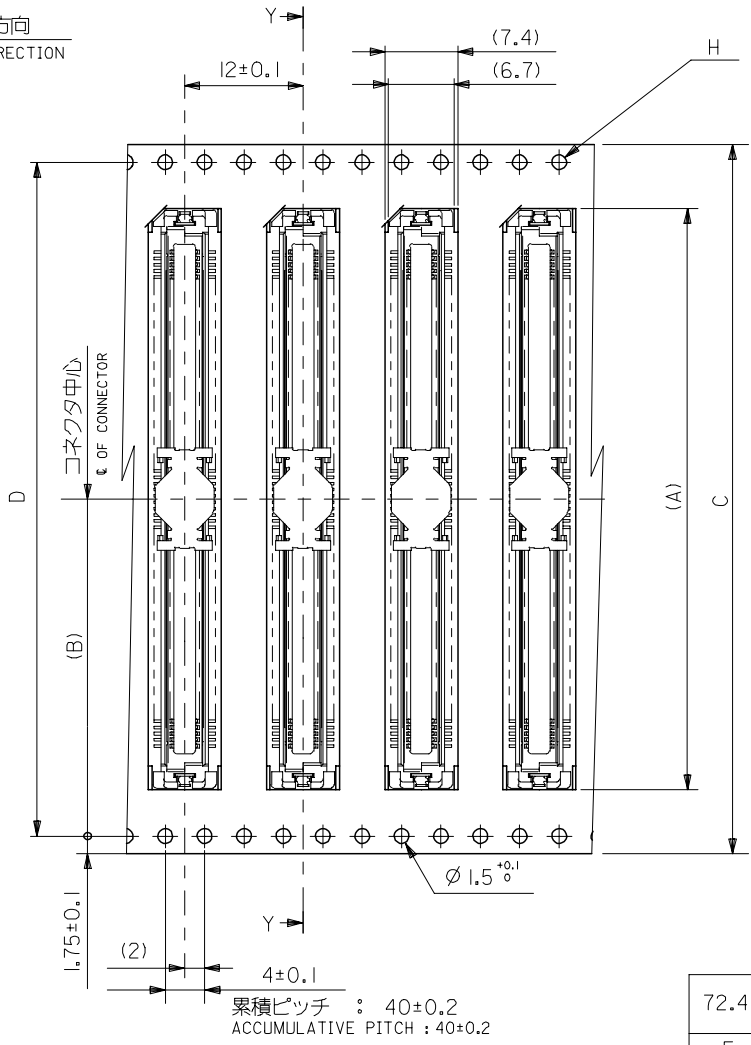
ib\_frame\_A3\_J\_ME\_S  
Rev. D 2004/04/02

9 8 7 6 5 4 3 2 1  
EN-02JA(021)

引き出し方向  
PULL OUT DIRECTION



断面 Y-Y  
SECTION Y-Y



H部詳細  
DETAIL H

累積ピッチ : 40±0.2  
ACCUMULATIVE PITCH : 40±0.2

72.4	68.4	72±0.3	34.2	52.6	52901-1474	140
E	D	C	B	A	52901-1274	120
E D		C		B A		極数
CARRIER TAPE WIDTH		MATERIAL NO.				極数

REVISED EC NO: J2006-0585 DRW: HVAJIMA 2005/08/25 CHK: DN, UKITA 2005/08/25 APP: NUKITA 2005/08/31	DESCRIPTION	GENERAL TOLERANCES (UNLESS SPECIFIED)		DIMENSION STYLE		SCALE		DESIGN UNITS		THIRD ANGLE PROJECTION	
		10 UNDER ± ---		MM ONLY		---		METRIC		☉ □	
		10 OVER 30 UNDER ± ---		DRAWN BY DATE		TITLE					
		30 OVER ± ---		M. NINOMIYA '04/03/04		EMBOSSED TAPE PACKAGE FOR 52901-**72 -LEAD FREE-					
ANGULAR ± --- °		CHECKED BY DATE		M. SASAO '04/03/04		MOLEX MOLEX INCORPORATED					
DRAFT WHERE APPLICABLE MUST REMAIN WITHIN DIMENSIONS		APPROVED BY DATE		MATERIAL NO.		DOCUMENT NO.		SHEET NO.			
A		M. SASAO '04/03/04		SEE CHART		SD-52901-009		3 OF 3			
SIZE A3 THIS DRAWING CONTAINS INFORMATION THAT IS PROPRIETARY TO MOLEX INCORPORATED AND SHOULD NOT BE USED WITHOUT WRITTEN PERMISSION											

10 9 8 7 6 5 4 3 2 1

F

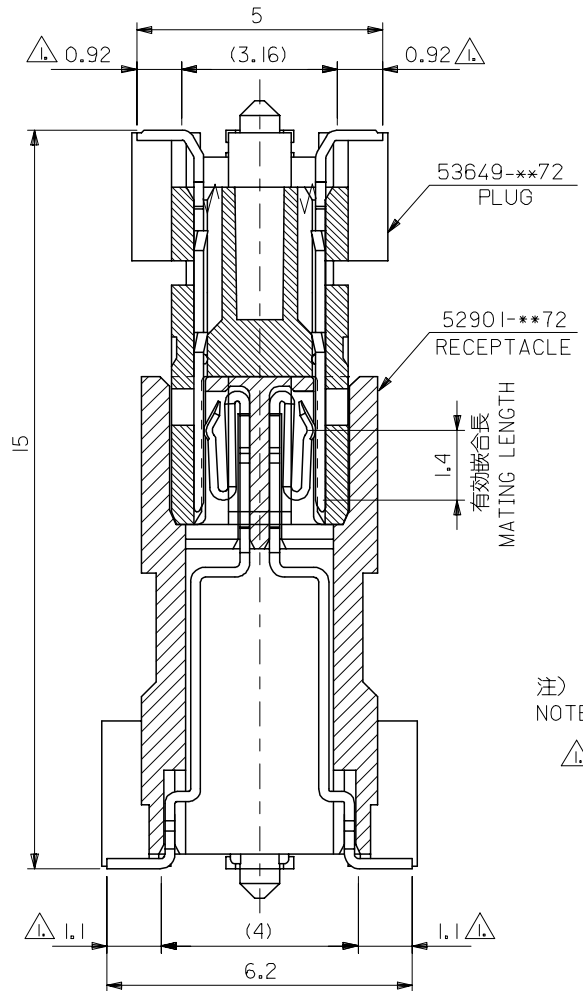
E

D

C

B

A



注)  
NOTE)  
△ 基板接地長さ  
FLAT AREA

RELEASED EC NO: J2005-3798 DRW: KENSUZUKI 2005/06/20 CHK: D: NUKITA 2005/06/20 APPR: NUKITA 2005/06/23	GENERAL TOLERANCES (UNLESS SPECIFIED)		DIMENSION STYLE MM ONLY		SCALE 10:1	DESIGN UNITS METRIC	THIRD ANGLE PROJECTION	
	10 UNDER	±0.2	DRAWN BY KENSUZUKI	DATE 2005/06/20	TITLE 0.635 PITCH B TO B CONN. 52901/53649 SERIES MATING CROSS SECTION			
	10 OVER 30 UNDER	±0.25	CHECKED BY NUKITA	DATE 2005/06/20				
	30 OVER	±0.3	APPROVED BY NUKITA	DATE 2005/06/20	MOLEX INCORPORATED DOCUMENT NO. SD-52901-015 SHEET NO. 1 OF 1			
	ANGULAR	±3 °	MATERIAL NO. SEE DRAWING					
DRAFT WHERE APPLICABLE MUST REMAIN WITHIN DIMENSIONS		SIZE A3 THIS DRAWING CONTAINS INFORMATION THAT IS PROPRIETARY TO MOLEX INCORPORATED AND SHOULD NOT BE USED WITHOUT WRITTEN PERMISSION						