

**PLEASE CHECK WWW.MOLEX.COM FOR LATEST PART INFORMATION**

**Part Number:** [0673514804](#)  
**Status:** **Active**  
**Description:** MicroCross™ DVI-D Digital Visual Interface, PCB Receptacle, Polyester (PBT), Through Hole, Right Angle, Gold (Au) Flash, 2.34mm (.092") PC Tail Length, Screw Hole, 4-40 Thread, 24 Circuits, Lead Free

**Documents:**

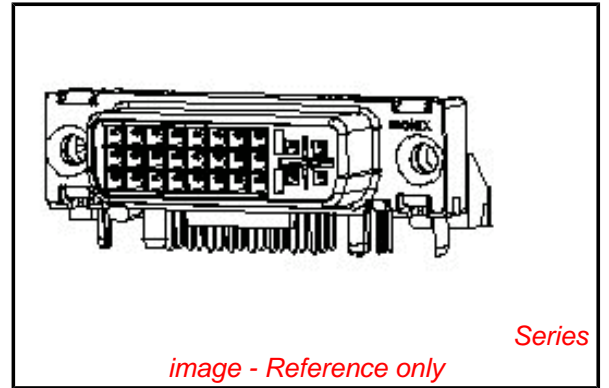
[3D Model](#) [RoHS Certificate of Compliance \(PDF\)](#)  
[Drawing \(PDF\)](#)

**General**

Product Family	I/O Connectors
Series	<a href="#">67351</a>
Application	Wire-to-Board
Comments	DDWG (Digital Display Working Group) Standard
Component Type	Receptacle
Product Name	MicroCross™DVI
Type	N/A

**Physical**

Boot Color	N/A
Circuits (Loaded)	24
Circuits (maximum)	24
Color - Resin	Ivory, Natural
Durability (mating cycles max)	100
Gender	Receptacle
Keying to Mating Part	Yes
Lock to Mating Part	Yes
Material - Metal	Copper Alloy
Material - Plating Mating	Gold
Material - Plating Termination	Tin
Material - Resin	Polyester
Number of Rows	3
Orientation	Right Angle
PC Tail Length (in)	0.092 In
PC Tail Length (mm)	2.34 mm
PCB Locator	Yes
PCB Retention	Yes
Packaging Type	Tray
Panel Mount	Yes
Pitch - Mating Interface (in)	0.075 In
Pitch - Mating Interface (mm)	1.91 mm
Pitch - Term. Interface (in)	0.075 In
Pitch - Term. Interface (mm)	1.91 mm
Plating min: Mating (µin)	2
Plating min: Mating (µm)	0.05
Plating min: Termination (µin)	100
Plating min: Termination (µm)	2.50
Polarized to Mating Part	Yes
Polarized to PCB	Yes
Ports	1
Surface Mount Compatible (SMC)	No
Temperature Range - Operating	-20°C to +85°C
Termination Interface: Style	Through Hole
Waterproof / Dustproof	No
Wire Size AWG	N/A



**EU RoHS**

**ELV and RoHS Compliant**  
**REACH SVHC**  
 Not Reviewed  
**Halogen-Free Status**

**China RoHS**



**Not Reviewed**

**Need more information on product environmental compliance?**

Email [productcompliance@molex.com](mailto:productcompliance@molex.com)  
 For a multiple part number RoHS Certificate of Compliance, [click here](#)

Please visit the [Contact Us](#) section for any non-product compliance questions.

**Search Parts in this Series**

[67351Series](#)

**Mates With**

[74323](#) MicroCross™ DVI Plug Components.  
[88741](#) MicroCross™ DVI Cable Assemblies

**Use With**

[71781](#) Panel Mount Hex Screw Kit

**Electrical**

Current - Maximum per Contact	3A
Grounding to Panel	Yes
Shield Type	Full Shield
Shielded	Yes
Voltage - Maximum	40V AC (RMS)

**Material Info****Reference - Drawing Numbers**

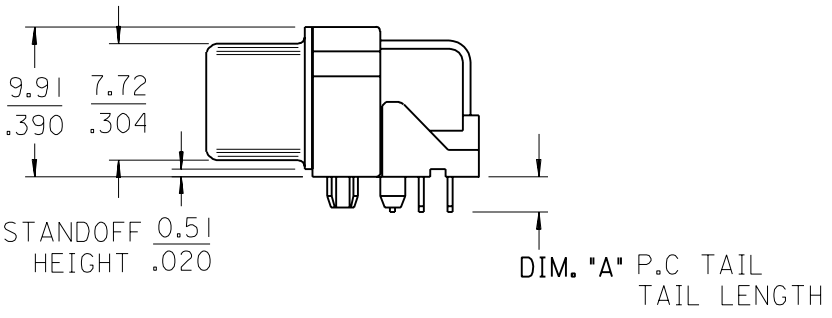
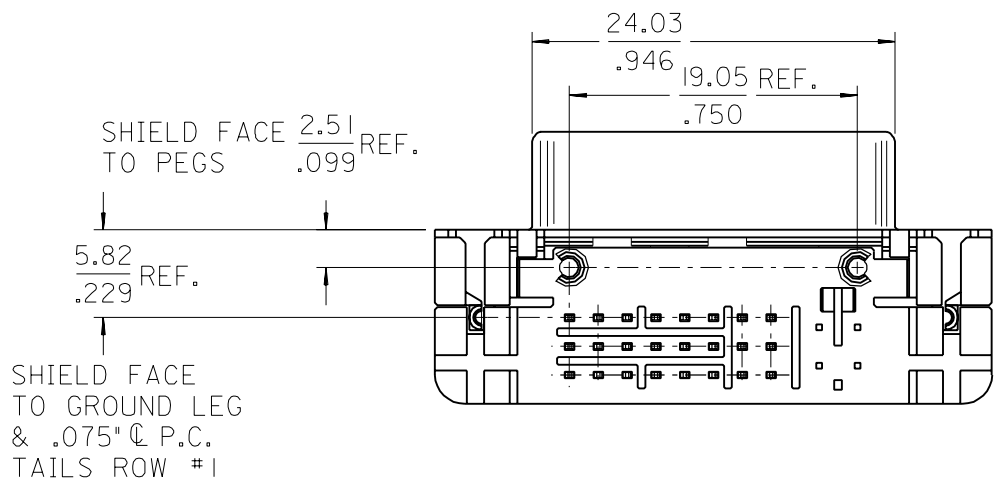
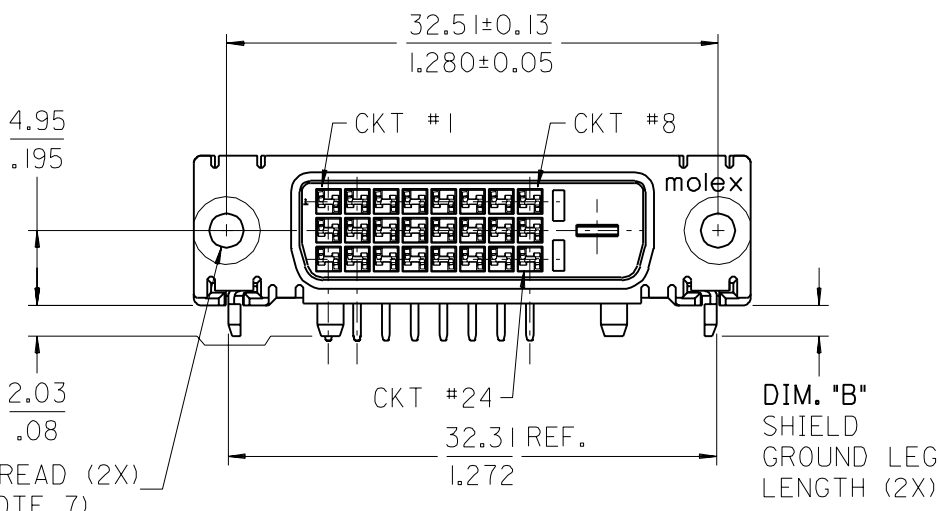
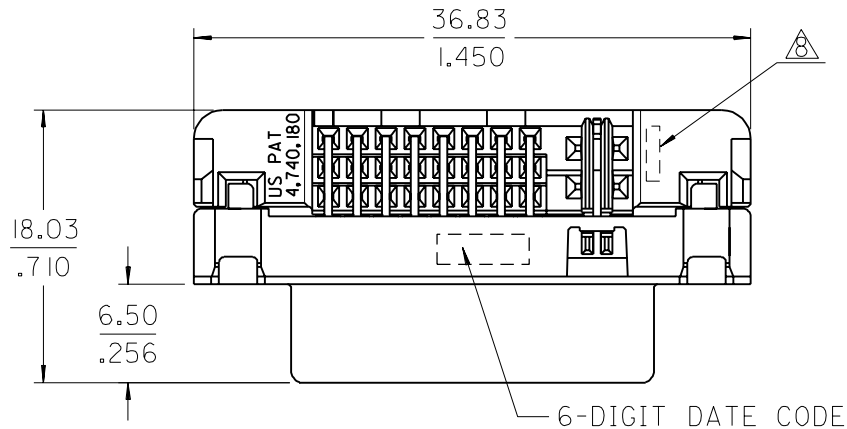
Packaging Specification	PK-74320-010
Sales Drawing	SD-67351-046
Test Summary	TS-67351-002

This document was generated on 06/07/2010

**PLEASE CHECK [WWW.MOLEX.COM](http://WWW.MOLEX.COM) FOR LATEST PART INFORMATION**

8  
7  
6  
5  
4  
3  
2  
1

SEE CHART  
ENG. NO  
EDP NO.  
SIMILAR ITEM  
CADFILE NO.:s67351046.s01  
DO NOT SCALE DRAWING



NOTES:

- MATERIALS:  
SHIELD -- DEEP DRAW STEEL.  
HOUSING -- GLASS FILLED POLYMER, NATURAL (IVORY WHITE), UL 94v-0.  
TAIL ALIGNER -- GLASS FILLED POLYMER, NATURAL (IVORY WHITE), UL 94v-0.  
CONTACTS -- COPPER ALLOY.  
MICROCROSS GROUND -- COPPER ALLOY.
- PLATING: SEE SHEET 2
- PRODUCT CONFORMS TO MOLEX PRODUCT SPECIFICATION NUMBER PS-74320-001. REFER TO THIS SPECIFICATION FOR SPACING ON A P.C.B. OF TWO OR MORE CONNECTORS WHEN USING A CABLE OR AN ADAPTER ASSEMBLY.
- SEE SHEET 2 FOR RECOMMENDED PANEL CUT-OUT AND P.C.B. LAYOUT.
- PARTS WILL BE PACKAGED IN TRAYS PER PK-74320-010.
- PRODUCT CONFORMS TO DDWG DVI SPECIFICATION. REFER TO THIS SPECIFICATION FOR CONNECTOR MATING DIMENSIONS.
- RECOMMENDED MOUNTING HARDWARE IS MOLEX P/N : 88780-6066 OR 82007-0300. OR 71781-0001. REFER TO PRODUCT SPECIFICATION NUMBER PS-74320-001 FOR THE APPLICATION TORQUE REQUIREMENT FOR ASSEMBLING MOUNTING HARDWARE.

△ CAVITY NO. AND MANUFACTURING PLANT CODE.

PART NUMBER	PLATING OPTION	DIM "A"	DIM "B"
67351-4800	1	2.34/.092	2.03±0.51
67351-4801	1	1.27/.050	.080±.020
67351-4803	1	3.12/.123	2.79/.110
67351-4804	2	2.34/.092	2.03±0.51
67351-4805	2	1.27/.050	.080±.020
67351-4806	2	2.79/.110	2.79/.110
67351-4807	2	3.12/.123	2.79/.110

NEW RELEASE  
EC NO.  
DRWN:TA ZHANG 03/01/13  
CHK:  
APPR:  
A

QUALITY SYMBOLS  
MAJOR = 0  
CRITICAL = 0

GENERAL TOLERANCES:  
(UNLESS SPECIFIED)

	mm	INCH
4 PLACES	± .---	±. ---
3 PLACES	± .---	±. ---
2 PLACES	±0.25	±.010
1 PLACE	±0.25	±.010

ANGULAR: ±3°  
DRAFT WHERE APPLICABLE MUST REMAIN WITHIN DIMENSIONS

SCALE 2:1  
DESIGN UNITS  
THIRD ANGLE PROJECTION  
DRAWN BY & DATE  
TAZHANG 03/01/13  
CHECKED BY & DATE  
APPROVED BY & DATE  
CAD FILENAME  
SD67351046.S01

TITLE: DVI - D RIGHT ANGLE RECEPTACLE CONNECTOR LEAD FREE PLATING  
MOLEX INCORPORATED  
MATERIAL NO. SEE CHART  
DRAWING NO. SD-67351-046  
SHEET NO. 1 OF 2  
THIS DRAWING CONTAINS INFORMATION THAT IS PROPRIETARY TO MOLEX INCORPORATED AND SHOULD NOT BE USED WITHOUT WRITTEN PERMISSION.  
SIZE A3

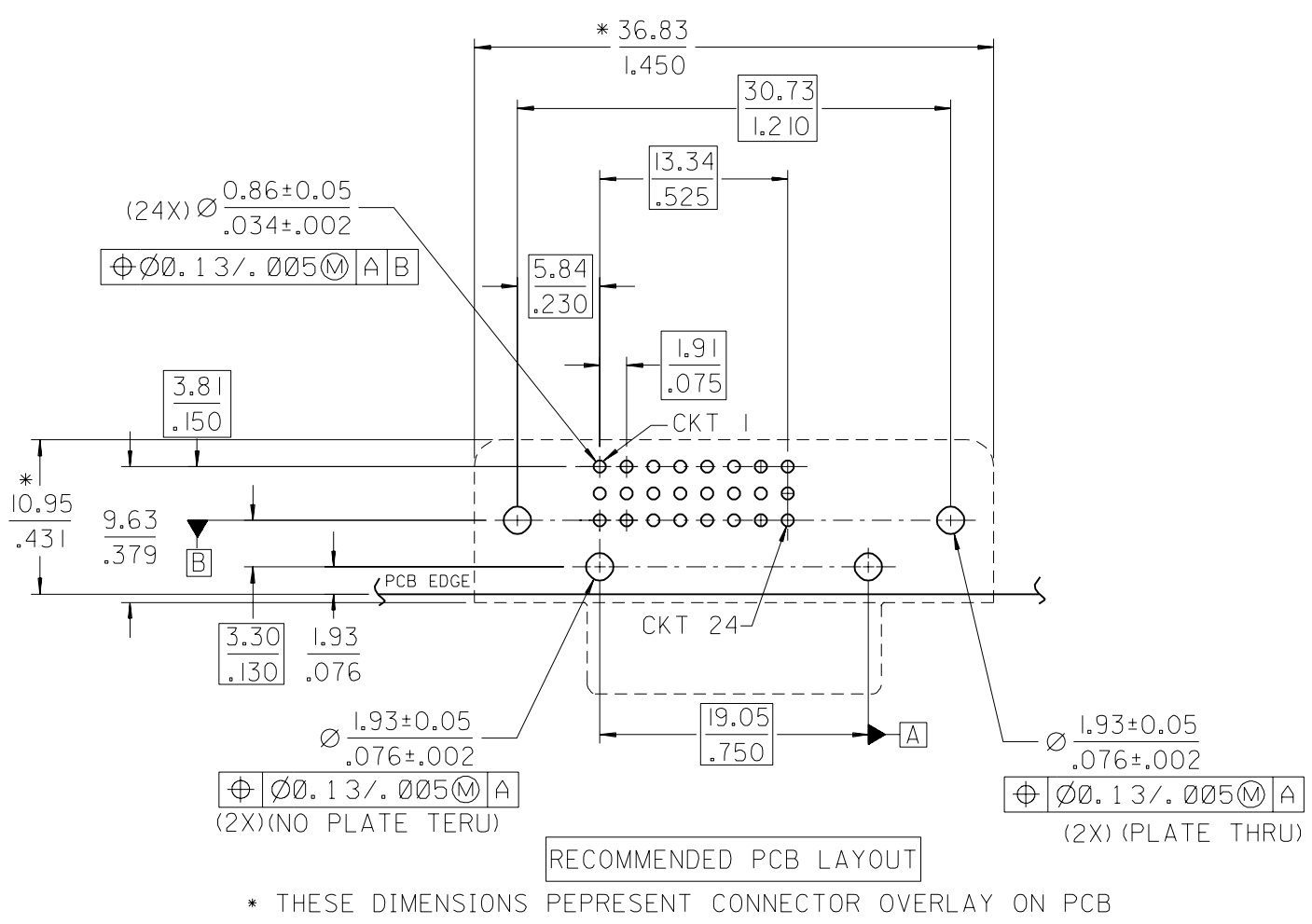
ENG. NO SEE CHART

EDP NO.

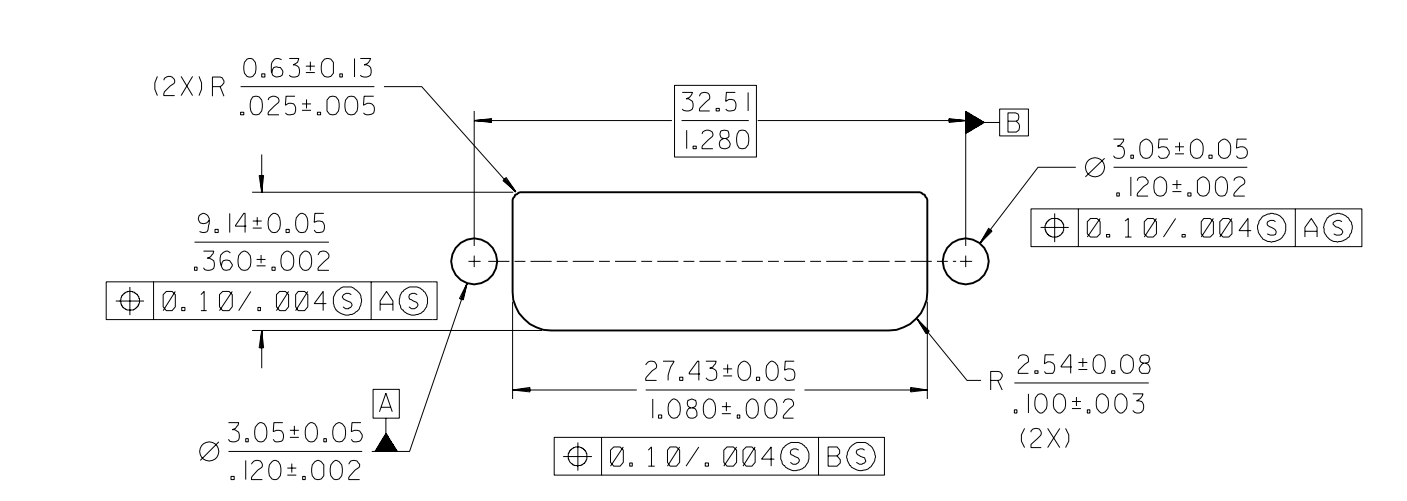
SIMILAR ITEM

CADFILE NO. S67351046.S02

DO NOT SCALE DRAWING



\* THESE DIMENSIONS REPRESENT CONNECTOR OVERLAY ON PCB



RECOMMEND PANEL CUT-OUT  
 PANEL THICKNESS: 0.76 / .030 - 1.02 / .040

PLATING OPTIONS:

PLATING OPTION #1:

OUTER SHIELD -- 150u"/3.75um MIN. BRIGHT TIN OVER  
 50u"/(1.27um) MIN. NICKEL OVER COPPER FLASH.  
 .075"/1.91mm CONTACTS -- 30u"/0.75um MIN. SELECT GOLD AND  
 100u"/2.50um MIN. SELECT TIN  
 OVER 50u"/1.27um MIN. NICKEL OVERALL.

PLATING OPTION #2:

OUTER SHIELD -- 150u"/3.75um MIN. BRIGHT TIN OVER  
 50u"/(1.27um) MIN. NICKEL OVER COPPER FLASH.  
 .075"/1.91mm CONTACTS -- SELECT GOLD FLASH AND  
 100u"/2.50um MIN. SELECT TIN  
 OVER 50u"/1.27um MIN. NICKEL OVERALL.

NEW RELEASE	EC NO.	DRWN: TAZHANG 03/01/13	CH'K:	APPR:
A				

QUALITY SYMBOLS	DESCRIPTION
MAJOR = 0	
CRITICAL = 0	
REV	

GENERAL TOLERANCES: (UNLESS SPECIFIED)	
mm	INCH
4 PLACES ± .---	±.---
3 PLACES ± .---	±.---
2 PLACES ± 0.25	±.010
1 PLACE ± 0.25	±.010
ANGULAR: ±3°	
DRAFT WHERE APPLICABLE MUST REMAIN WITHIN DIMENSIONS	

SCALE 2:1	DESIGN UNITS <input checked="" type="checkbox"/> mm <input type="checkbox"/> INCH
DRAWN BY & DATE TAZHANG 03/01/13	
CHECKED BY & DATE	
APPROVED BY & DATE	
CAD FILENAME SD67351046.S02	

DIMENSIONS: <input checked="" type="checkbox"/> mm <input type="checkbox"/> INCH <input type="checkbox"/> mm ONLY		SHT	REV
THIRD ANGLE PROJECTION		REVISE ON CAD ONLY	
TITLE: DVI - D RIGHT ANGLE RECEPTACLE CONNECTOR LEAD FREE PLATING			
MOLEX INCORPORATED			
MATERIAL NO. SEE SHEET 1	DRAWING NO. SD-67351-046	SHEET NO. 2 OF 2	
THIS DRAWING CONTAINS INFORMATION THAT IS PROPRIETARY TO MOLEX INCORPORATED AND SHOULD NOT BE USED WITHOUT WRITTEN PERMISSION.			SIZE A3