

**PLEASE CHECK WWW.MOLEX.COM FOR LATEST PART INFORMATION**

**Part Number:** [0673519047](#)  
**Status:** **Active**  
**Description:** MicroCross™ DVI-D Digital Visual Interface, PCB Receptacle, Glass-filled Polymer, Through Hole, Right Angle, Gold (Au) Flash, with Hex Thumbscrew, 24 Circuits, Lead Free

**Documents:**

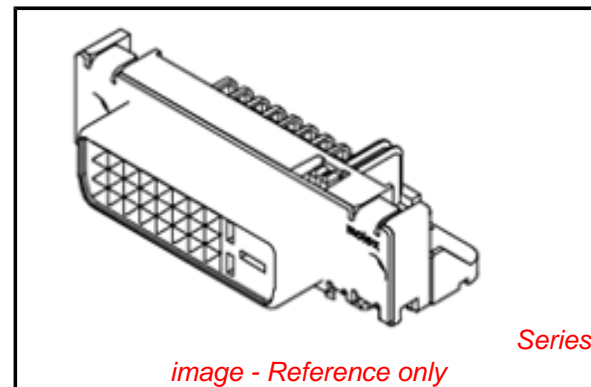
[3D Model](#) [RoHS Certificate of Compliance \(PDF\)](#)  
[Drawing \(PDF\)](#)

**General**

Product Family	I/O Connectors
Series	<a href="#">67351</a>
Application	Wire-to-Board
Comments	DDWG (Digital Display Working Group) Standard
Component Type	Receptacle
Product Name	MicroCross™ DVI
Type	N/A

**Physical**

Boot Color	N/A
Circuits (Loaded)	29
Circuits (maximum)	29
Color - Resin	Ivory, Natural
Durability (mating cycles max)	100
Keying to Mating Part	Yes
Lock to Mating Part	Yes
Material - Metal	Copper Alloy
Material - Plating Mating	Gold
Material - Plating Termination	Tin
Material - Resin	Polyester
Number of Rows	3
Orientation	Right Angle
PC Tail Length (in)	0.123 In
PC Tail Length (mm)	3.12 mm
PCB Locator	Yes
PCB Retention	Yes
Packaging Type	Tray
Panel Mount	Yes
Pitch - Mating Interface (in)	0.075 In
Pitch - Mating Interface (mm)	1.91 mm
Pitch - Term. Interface (in)	0.075 In
Pitch - Term. Interface (mm)	1.91 mm
Plating min: Mating (µin)	2
Plating min: Mating (µm)	0.05
Plating min: Termination (µin)	100
Plating min: Termination (µm)	2.50
Polarized to Mating Part	Yes
Polarized to PCB	Yes
Ports	1
Surface Mount Compatible (SMC)	No
Temperature Range - Operating	-20°C to +85°C
Termination Interface: Style	Through Hole
Waterproof / Dustproof	No
Wire Size AWG	N/A



*image - Reference only*

**EU RoHS**

**ELV and RoHS  
Compliant**  
**REACH SVHC**  
 Not Reviewed  
**Halogen-Free  
Status**

**China RoHS**



**Need more information on product  
environmental compliance?**

Email [productcompliance@molex.com](mailto:productcompliance@molex.com)  
 For a multiple part number RoHS Certificate of Compliance, [click here](#)

Please visit the [Contact Us](#) section for any non-product compliance questions.

**Search Parts in this Series**

[67351Series](#)

**Mates With**

[74323](#) MicroCross™ DVI Plug Components.  
[88741](#) MicroCross™ DVI Cable Assemblies

**Use With**

[71781](#) Panel Mount Hex Screw Kit

**Electrical**

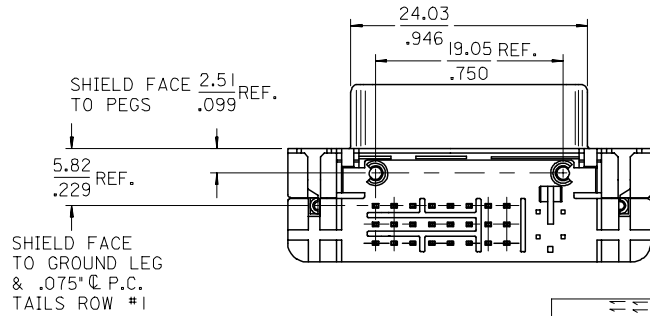
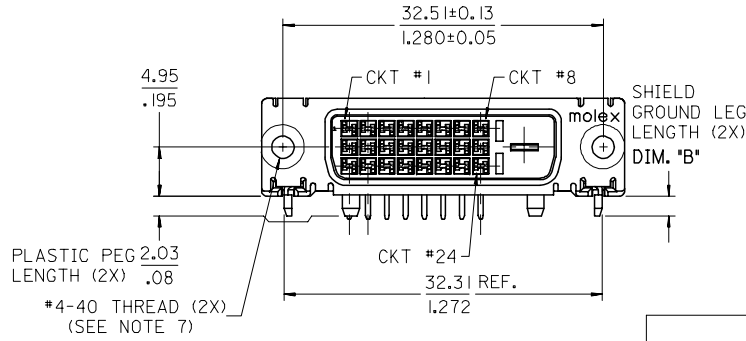
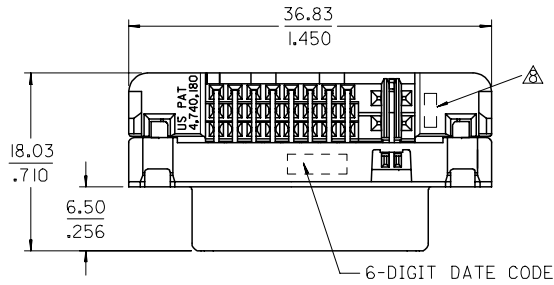
Current - Maximum per Contact	3A
Grounding to Panel	Yes
Shield Type	Full Shield
Shielded	Yes
Voltage - Maximum	40V AC (RMS)

**Material Info****Reference - Drawing Numbers**

Packaging Specification	PK-74320-010
Sales Drawing	SD-67351-034

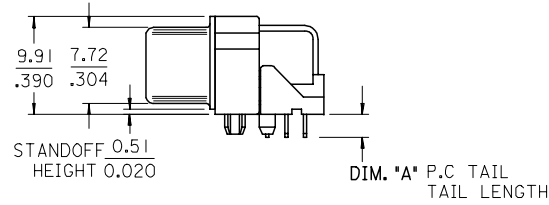
This document was generated on 06/07/2010

**PLEASE CHECK [WWW.MOLEX.COM](http://WWW.MOLEX.COM) FOR LATEST PART INFORMATION**



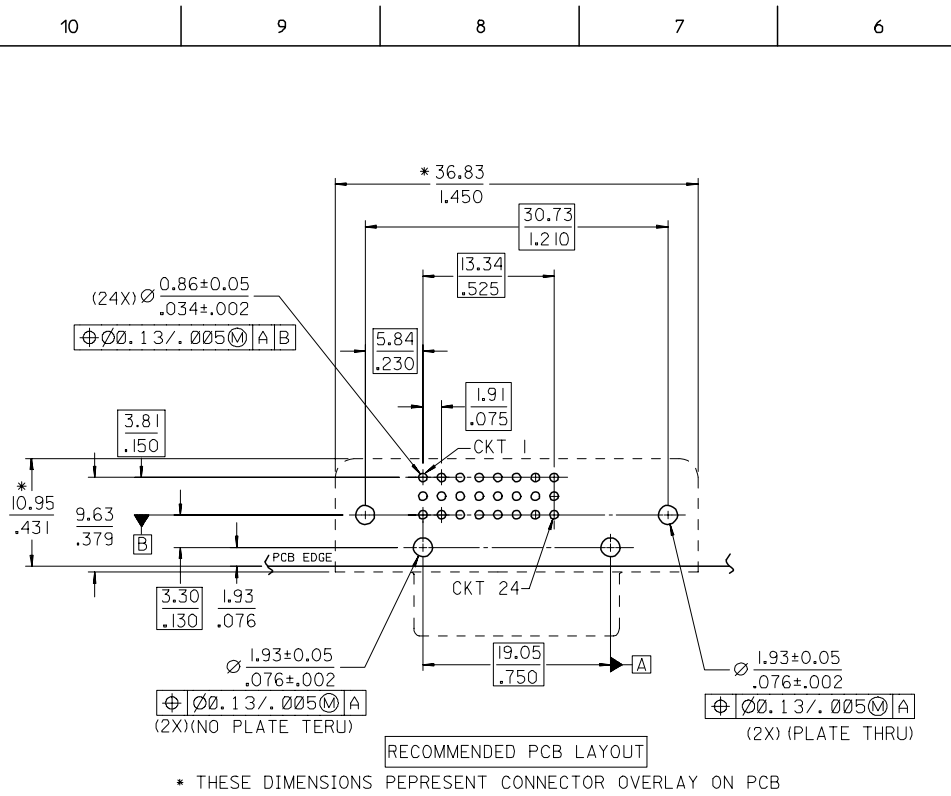
NOTES:

- MATERIALS:  
 SHIELD -- DEEP DRAW STEEL.  
 HOUSING -- GLASS FILLED POLYMER, NATURAL (IVORY WHITE), UL 94v-0.  
 TAIL ALIGNER -- GLASS FILLED POLYMER, NATURAL (IVORY WHITE), UL 94v-0.  
 CONTACTS -- COPPER ALLOY.  
 MICROCROSS GROUND -- COPPER ALLOY.
  - PLATING: SEE SHEET 2
  - PRODUCT CONFORMS TO MOLEX PRODUCT SPECIFICATION NUMBER PS-74320-001. REFER TO THIS SPECIFICATION FOR SPACING ON A P.C.B. OF TWO OR MORE CONNECTORS WHEN USING A CABLE OR AN ADAPTER ASSEMBLY.
  - SEE SHEET 2 FOR RECOMMENDED PANEL CUT-OUT AND P.C.B. LAYOUT.
  - PARTS WILL BE PACKAGED IN TRAYS PER PK-74320-009.
  - PRODUCT CONFORMS TO DDWG DVI SPECIFICATION. REFER TO THIS SPECIFICATION FOR CONNECTOR MATING DIMENSIONS.
  - RECOMMENDED MOUNTING HARDWARE IS MOLEX P/N 88780-6066 OR 82007-0300 OR 71781-000 REFER TO PRODUCT SPECIFICATION NUMBER PS-74320-001 FOR THE APPLICATION TORQUE REQUIREMENT FOR ASSEMBLING MOUNTING HARDWARE.
- △ CAVITY NO. AND MANUFACTURING PLANT CODE.



PART NUMBER	CONNECTOR				HEX THUMB SCREW
	PART NUMBER	PLATING OPTION	DIM "A"	DIM "B"	
67351-9040	67351-4000	1	2.34/.092	2.03±0.51	88780-6066
67351-9041	67351-4001	1	1.27/.050	.080±.020	
67351-9042	67351-4002	1	2.79/.110	2.79/.110	
67351-9043	67351-4003	1	3.12/.123		
67351-9045	67351-4005	2	1.27/.050	2.03±0.51	
67351-9046	67351-4016	2	2.79/.110	.080±.020	
67351-9047	67351-4007	2	3.12/.123	2.79/.110	

REVISED EC NO: SH2008-0007 DRWN: JSONG CHKD: JTIAN APPR: HWANG	QUALITY SYMBOLS ▽=0 ▽=0	GENERAL TOLERANCES (UNLESS SPECIFIED)		DIMENSION STYLE MM/IN		SCALE 2:1	DESIGN UNITS INCH	THIRD ANGLE PROJECTION		
		4 PLACES ± --- ± --- 3 PLACES ± --- ± .010 2 PLACES ± 0.25 ± .010 1 PLACE ± 0.25 ± .010		DRAWN BY DATE ALLEN '02/01/21		TITLE DVI-DITITAL RIGHT ANGLE RECEPTACLE CONNECTOR ADD HEX JACK SCREW		MOLEX INCORPORATED		
		ANGULAR ± 3 °		CHECKED BY DATE WWSCHANG '02/01/21		APPROVED BY DATE ELAN '02/01/21				
		DRAFT WHERE APPLICABLE MUST REMAIN WITHIN DIMENSIONS		MATERIAL NO. SEE CHART		DOCUMENT NO. SD-67351-034		SHEET NO. 1 OF 2		



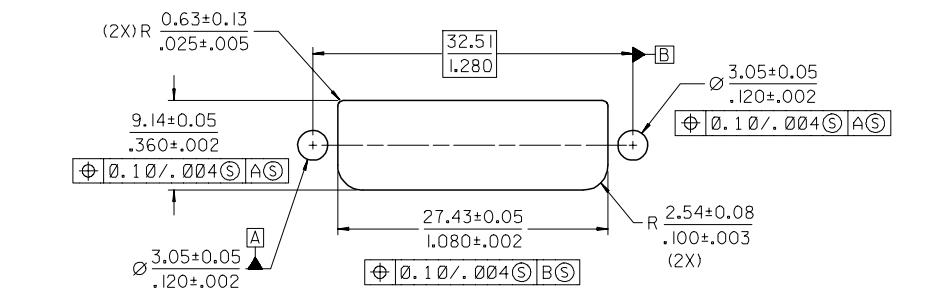
**PLATING OPTIONS:**

**PLATING OPTION #1:**

OUTER SHIELD -- 150u"/3.75um MIN. BRIGHT TIN OVER  
 50u"/(1.27um) MIN. NICKEL OVER COPPER FLASH.  
 .075"/1.91mm CONTACTS -- 30u"/0.75um MIN. SELECT GOLD AND  
 100u"/2.50um MIN. SELECT PURE TIN  
 OVER 50u"/1.27um MIN. NICKEL OVERALL.

**PLATING OPTION #2:**

OUTER SHIELD -- 150u"/3.75um MIN. BRIGHT TIN OVER  
 50u"/(1.27um) MIN. NICKEL OVER COPPER FLASH.  
 .075"/1.91mm CONTACTS -- SELECT GOLD FLASH AND  
 100u"/2.50um MIN. SELECT PURE TIN  
 OVER 50u"/1.27um MIN. NICKEL OVERALL.



SEE SHEET 1  
 EC NO: SH2008-0007  
 DRWN: XJSONG 2007/07/11  
 CHKD: JTIAN 2007/07/11  
 APPR: HWANG 2007/07/24

QUALITY SYMBOLS  
 ▽=0  
 ▽=0

GENERAL TOLERANCES (UNLESS SPECIFIED)		DIMENSION STYLE		SCALE	DESIGN UNITS	THIRD ANGLE PROJECTION
		MM/IN		2:1	INCH	
	mm	INCH				
4 PLACES	± ---	± ---				
3 PLACES	± ---	± .010				
2 PLACES	± 0.25	± .010				
1 PLACE	± 0.25	± .010				
		ANGULAR ± 3 °				

DRAWN BY	DATE	TITLE
ALLEN	'02/01/21	DVI-DITITAL RIGHT ANGLE RECEPTACLE CONNECTOR ADD HEX JACK SCREW
CHECKED BY	DATE	
WWSCHANG	'02/01/21	
APPROVED BY	DATE	
ELAN	'02/01/21	
MATERIAL NO.	DOCUMENT NO.	SHEET NO.
	SD-67351-034	2 OF 2

**DRAFT WHERE APPLICABLE MUST REMAIN WITHIN DIMENSIONS**

SIZE A3

THIS DRAWING CONTAINS INFORMATION THAT IS PROPRIETARY TO MOLEX INCORPORATED AND SHOULD NOT BE USED WITHOUT WRITTEN PERMISSION