

**PLEASE CHECK WWW.MOLEX.COM FOR LATEST PART INFORMATION**

**Part Number:** [0673519074](#)

**Status:** **Active**

**Description:** MicroCross™ DVI-D Digital Visual Interface with attached Hex Jack Screw,PCB Receptacle, Through Hole, Right Angle, Gold (Au) Flash, 2.34mm (.092") PC Tail Length,24 Circuits, with Peg, Lead Free

**Documents:**

[3D Model](#)

[Drawing \(PDF\)](#)

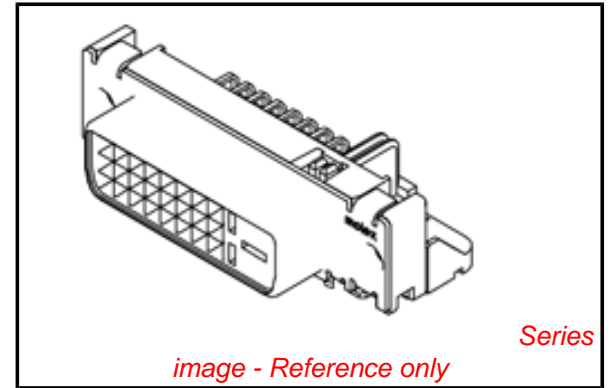
[RoHS Certificate of Compliance \(PDF\)](#)

**General**

Product Family	I/O Connectors
Series	<a href="#">67351</a>
Application	Wire-to-Board
Comments	DDWG (Digital Display Working Group) Standard
Component Type	Receptacle
Product Name	MicroCross™DVI
Type	N/A

**Physical**

Boot Color	N/A
Circuits (Loaded)	24
Circuits (maximum)	24
Color - Resin	Ivory, Natural
Durability (mating cycles max)	100
Gender	Receptacle
Keying to Mating Part	Yes
Lock to Mating Part	Yes
Material - Metal	Copper Alloy
Material - Plating Mating	Gold
Material - Plating Termination	Tin
Material - Resin	Polyester
Number of Rows	3
Orientation	Right Angle
PC Tail Length (in)	0.092 In
PC Tail Length (mm)	2.34 mm
PCB Locator	Yes
PCB Retention	Yes
Packaging Type	Tray
Panel Mount	Yes
Pitch - Mating Interface (in)	0.075 In
Pitch - Mating Interface (mm)	1.91 mm
Pitch - Term. Interface (in)	0.075 In
Pitch - Term. Interface (mm)	1.91 mm
Plating min: Mating (µin)	2
Plating min: Mating (µm)	0.05
Plating min: Termination (µin)	100
Plating min: Termination (µm)	2.50
Polarized to Mating Part	Yes
Polarized to PCB	Yes
Ports	1
Surface Mount Compatible (SMC)	No
Temperature Range - Operating	-20°C to +85°C
Termination Interface: Style	Through Hole
Waterproof / Dustproof	No
Wire Size AWG	N/A



**EU RoHS**

**ELV and RoHS Compliant**

**REACH SVHC**

Not Reviewed

**Halogen-Free**

**Status**

**Not Reviewed**

**China RoHS**



**Need more information on product environmental compliance?**

Email [productcompliance@molex.com](mailto:productcompliance@molex.com)  
For a multiple part number RoHS Certificate of Compliance, [click here](#)

Please visit the [Contact Us](#) section for any non-product compliance questions.

**Search Parts in this Series**

[67351Series](#)

**Mates With**

[74323](#) MicroCross™ DVI Plug Components.  
[88741](#) MicroCross™ DVI Cable Assemblies

**Use With**

[71781](#) Panel Mount Hex Screw Kit

**Electrical**

Current - Maximum per Contact	3A
Grounding to Panel	Yes
Shield Type	Full Shield
Shielded	Yes
Voltage - Maximum	40V AC (RMS)

**Material Info****Reference - Drawing Numbers**

Packaging Specification	PK-74320-010
Sales Drawing	SD-67351-036

This document was generated on 06/07/2010

**PLEASE CHECK [WWW.MOLEX.COM](http://WWW.MOLEX.COM) FOR LATEST PART INFORMATION**

8  
7  
6  
5  
4  
3  
2  
1

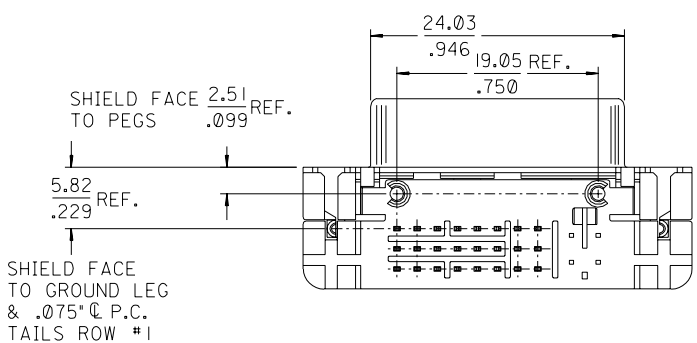
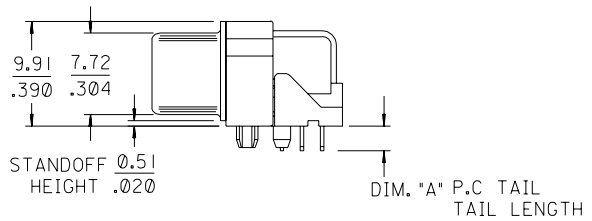
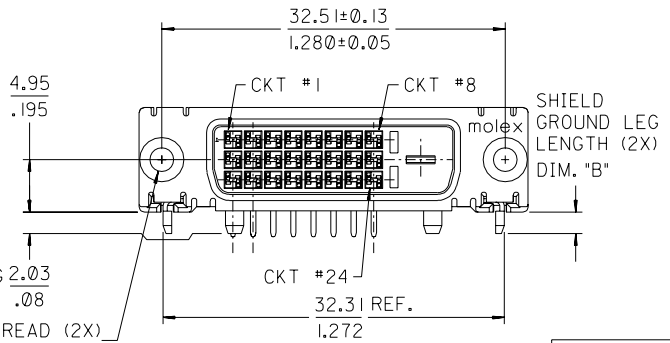
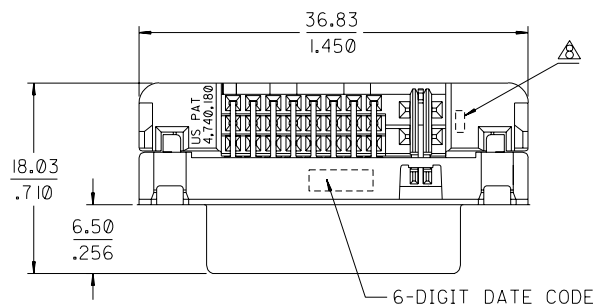
ENG. NO SEE CHART

EDP NO.

SIMILAR ITEM

CADFILE NO:56735136.S01

DO NOT SCALE DRAWING



- NOTES:
- MATERIALS:  
SHIELD -- DEEP DRAW STEEL.  
HOUSING -- GLASS FILLED POLYMER, NATURAL (IVORY WHITE), UL 94v-0.  
TAIL ALIGNER -- GLASS FILLED POLYMER, NATURAL (IVORY WHITE), UL 94v-0.  
CONTACTS -- COPPER ALLOY.  
MICROCROSS GROUND -- COPPER ALLOY.
  - PLATING: SEE SHEET 2
  - PRODUCT CONFORMS TO MOLEX PRODUCT SPECIFICATION NUMBER PS-74320-001. REFER TO THIS SPECIFICATION FOR SPACING ON A P.C.B. OF TWO OR MORE CONNECTORS WHEN USING A CABLE OR AN ADAPTER ASSEMBLY.
  - SEE SHEET 2 FOR RECOMMENDED PANEL CUT-OUT AND P.C.B. LAYOUT.
  - PARTS WILL BE PACKAGED IN TRAYS PER PK-74320-009.
  - PRODUCT CONFORMS TO DDWG DVI SPECIFICATION. REFER TO THIS SPECIFICATION FOR CONNECTOR MATING DIMENSIONS.
  - RECOMMENDED MOUNTING HARDWARE IS MOLEX P/N 88780-6066 OR 82007-0300 OR 71781-0001. REFER TO PRODUCT SPECIFICATION NUMBER PS-74320-001 FOR THE APPLICATION TORQUE REQUIREMENT FOR ASSEMBLING MOUNTING HARDWARE.
- △ CAVITY NO. AND MANUFACTURING PLANT CODE.

PART NUMBER	CONNECTOR				HEX JACK SCREW
	PART NUMBER	PLATING OPTION	DIM "A"	DIM "B"	
67351-9070	67351-4000	1	2.34/.092	2.03±0.51	82007-0300
67351-9071	67351-4001	1	1.27/.050	.080±.020	
67351-9072	67351-4002	1	2.79/.110	2.79/.110	
67351-9073	67351-4003	1	3.12/.123		
67351-9074	67351-4004	2	2.34/.092	2.03±0.51	
67351-9075	67351-4005	2	1.27/.050	.080±.020	
67351-9076	67351-4006	2	2.79/.110	2.79/.110	
67351-9077	67351-4007	2	3.12/.123		

MODIFICATION EC NO:SH2004-0129 DRWN: TXUE 2004/03/05 CHK: GRMA 2004/03/05 APPR: SAM 2004/03/05	QUALITY SYMBOLS MAJOR = 0 CRITICAL = 0	GENERAL TOLERANCES: (UNLESS SPECIFIED)		SCALE 2:1	DESIGN UNITS	THIRD ANGLE PROJECTION TITLE: DVI - D R/A REC. CONNECTOR ATTACHED HEX JACK SCREW MOLEX MOLEX INCORPORATED	DIMENSIONS: <input checked="" type="checkbox"/> mm <input type="checkbox"/> INCH <input type="checkbox"/> mm ONLY	SHT	REV
				<input checked="" type="checkbox"/> mm <input type="checkbox"/> INCH	<input type="checkbox"/> mm <input type="checkbox"/> INCH			REVISE ON CAD ONLY	
		DRAWN BY & DATE		CHECKED BY & DATE				APPROVED BY & DATE	
		4 PLACES ± .		3 PLACES ± .				2 PLACES ±0.25 ±.010	
1 PLACE ±0.25 ±.010		ANGULAR: ±3°		CAD FILENAME		MATERIAL NO.	DRAWING NO.	SHEET NO.	
DRAFT WHERE APPLICABLE MUST REMAIN WITHIN DIMENSIONS		THIS DRAWING CONTAINS INFORMATION THAT IS PROPRIETARY TO MOLEX INCORPORATED AND SHOULD NOT BE USED WITHOUT WRITTEN PERMISSION.		SD67351036.S01		SEE CHART	SD-67351-036	1 OF 2	
								SIZE A3	

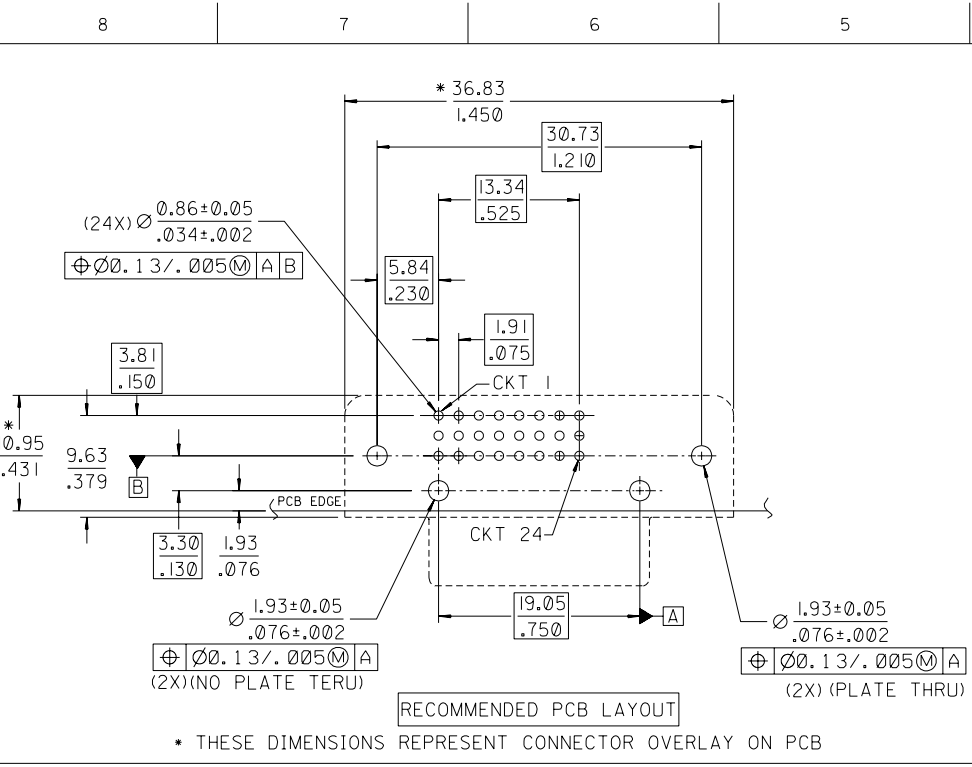
ENG. NO SEE CHART

EDP NO.

SIMILAR ITEM

CADFILE NO.:S6735136.S02

DO NOT SCALE DRAWING



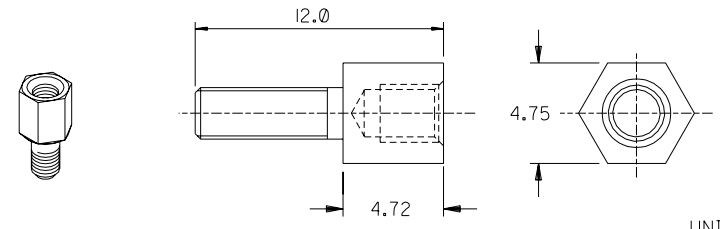
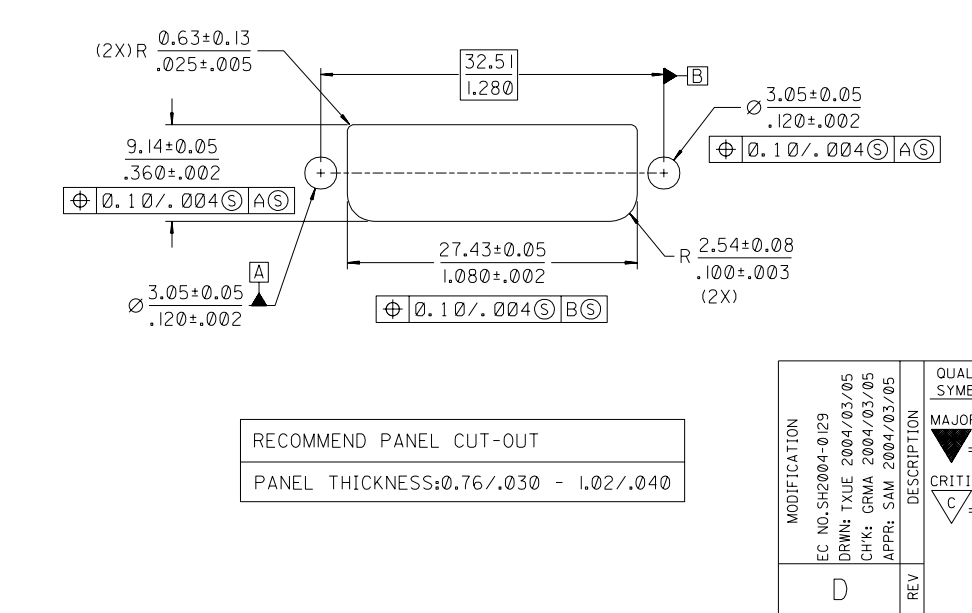
**PLATING OPTIONS:**

**PLATING OPTION #1:**

OUTER SHIELD -- 150u"/3.75um MIN. BRIGHT TIN OVER  
 50u"/(1.27um) MIN. NICKEL OVER COPPER FLASH.  
 .075"/1.91mm CONTACTS -- 30u"/0.75um MIN. SELECT GOLD AND  
 100u"/2.50um MIN. SELECT PURE TIN  
 OVER 50u"/1.27um MIN. NICKEL OVERALL.

**PLATING OPTION #2:**

OUTER SHIELD -- 150u"/3.75um MIN. BRIGHT TIN OVER  
 50u"/(1.27um) MIN. NICKEL OVER COPPER FLASH.  
 .075"/1.91mm CONTACTS -- SELECT GOLD FLASH AND  
 100u"/2.50um MIN. SELECT PURE TIN  
 OVER 50u"/1.27um MIN. NICKEL OVERALL.



UNITS : mm

ITEM	INTERNAL THREAD	EXTERNAL THREAD	FINISH	MATERIAL
82007-0300	#4-40 UNC-2B	#4-40 UNC-2A	NICKEL	BRASS ALLOY
DIMENSIONS: <input checked="" type="checkbox"/> mm <input type="checkbox"/> INCH <input type="checkbox"/> mm ONLY <input type="checkbox"/> mm ONLY SHT REV REVISIONS: <input type="checkbox"/> mm <input type="checkbox"/> INCH <input type="checkbox"/> mm ONLY <input type="checkbox"/> mm ONLY REVISIONS: <input type="checkbox"/> mm <input type="checkbox"/> INCH <input type="checkbox"/> mm ONLY <input type="checkbox"/> mm ONLY				
GENERAL TOLERANCES: (UNLESS SPECIFIED)		SCALE 2:1	DESIGN UNITS <input checked="" type="checkbox"/> mm <input checked="" type="checkbox"/> INCH	THIRD ANGLE PROJECTION <input checked="" type="checkbox"/>
4 PLACES	± .	± .	DRAWN BY & DATE ALLEN '02/04/29	
3 PLACES	± .	±.010	CHECKED BY & DATE WWSCHANG '02/04/29	
2 PLACES	±0.25	±.010	APPROVED BY & DATE ELAN '02/04/29	
1 PLACE	±0.25	±.010	CAD FILENAME S6735136.S02	
ANGULAR: ±3°		MATERIAL NO. SEE CHART		DRAWING NO. SD-67351-036
DRAFT WHERE APPLICABLE MUST REMAIN WITHIN DIMENSIONS				
THIS DRAWING CONTAINS INFORMATION THAT IS PROPRIETARY TO MOLEX INCORPORATED AND SHOULD NOT BE USED WITHOUT WRITTEN PERMISSION.				
TITLE: DVI-D R/A REC. CONNECTOR ATTACHED HEX JACK SCREW				SHEET NO. 2 OF 2
MOLEX INCORPORATED				SIZE A3

MODIFICATION	DESCRIPTION	QUALITY SYMBOLS
EC NO. SH2004-029	DRWN: TXUE 2004/03/05 CHK: GRMA 2004/03/05 APPR: SAM 2004/03/05	MAJOR CRITICAL
D		