

PLEASE CHECK WWW.MOLEX.COM FOR LATEST PART INFORMATION

Part Number: [0784770001](#)
Status: **Active**
Description: 1.27mm (.050") Pitch SAS Plug, Straddle Mount, 0.76µm (30µ") Gold (Au) Plating, 22 Circuits, Lead-free

Documents:

[3D Model](#) [Product Specification PS-78477-001 \(PDF\)](#)
[Drawing \(PDF\)](#) [RoHS Certificate of Compliance \(PDF\)](#)

Agency Certification

UL E29179

General

Product Family I/O Connectors
 Series [78477](#)
 Application Wire-to-Board
 Component Type Plug
 Product Name SAS
 Type N/A

Physical

Boot Color N/A
 Circuits (Loaded) 22
 Circuits (maximum) 22
 Color - Resin Black
 Durability (mating cycles max) 500
 Flammability 94V-0
 Lock to Mating Part None
 Material - Metal Brass
 Material - Plating Mating Gold
 Material - Plating Termination Tin
 Material - Resin High Temperature Thermoplastic
 Number of Rows 1
 Orientation Horizontal
 PCB Locator No
 PCB Retention Yes
 PCB Thickness Recommended (in) 0.062 In
 PCB Thickness Recommended (mm) 1.60 mm
 Packaging Type Tray
 Panel Mount Yes
 Pitch - Mating Interface (in) 0.050 In
 Pitch - Mating Interface (mm) 1.27 mm
 Plating min: Mating (µin) 30
 Plating min: Mating (µm) 0.76
 Plating min: Termination (µin) 0.075
 Plating min: Termination (µm) 1.91
 Polarized to Mating Part Yes
 Polarized to PCB Yes
 Ports 2
 Surface Mount Compatible (SMC) Yes
 Temperature Range - Operating 0°C to +55°C
 Termination Interface: Style Straddle Mount

Electrical

Current - Maximum per Contact 1.5A
 Voltage - Maximum 30V

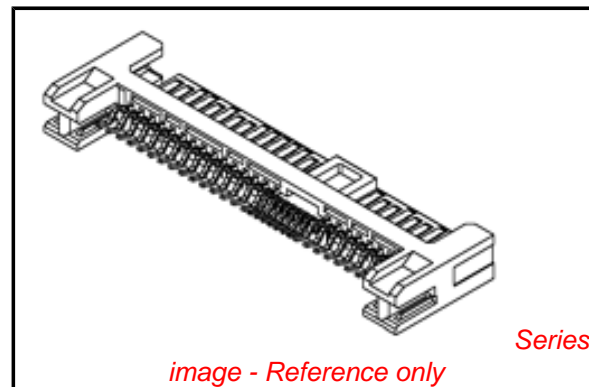


image - Reference only

EU RoHS

**ELV and RoHS
 Compliant**
**REACH SVHC
 Contains SVHC: No**
**Halogen-Free
 Status
 Not Reviewed**

China RoHS



**Need more information on product
 environmental compliance?**

Email productcompliance@molex.com
 For a multiple part number RoHS Certificate of Compliance, [click here](#)

Please visit the [Contact Us](#) section for any non-product compliance questions.

Search Parts in this Series
[78477Series](#)

Solder Process Data

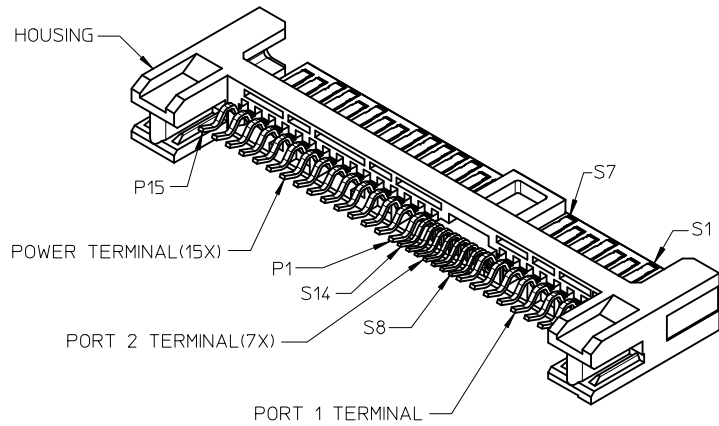
Duration at Max. Process Temperature (seconds)	3
Lead-free Process Capability	Reflow Capable (SMT only)
Max. Cycles at Max. Process Temperature	1
Process Temperature max. C	260

Material Info**Reference - Drawing Numbers**

Product Specification	PS-78477-001
Sales Drawing	SD-78477-001

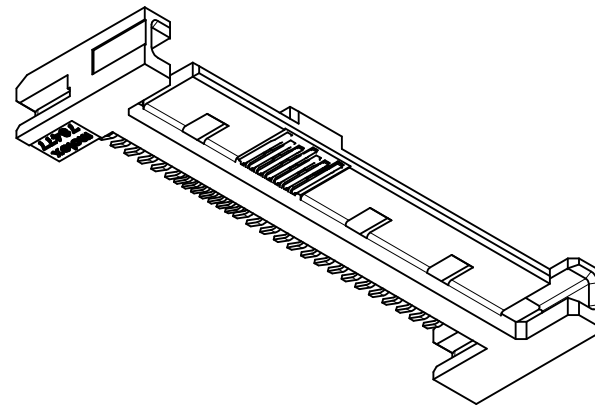
This document was generated on 04/02/2010

PLEASE CHECK WWW.MOLEX.COM FOR LATEST PART INFORMATION

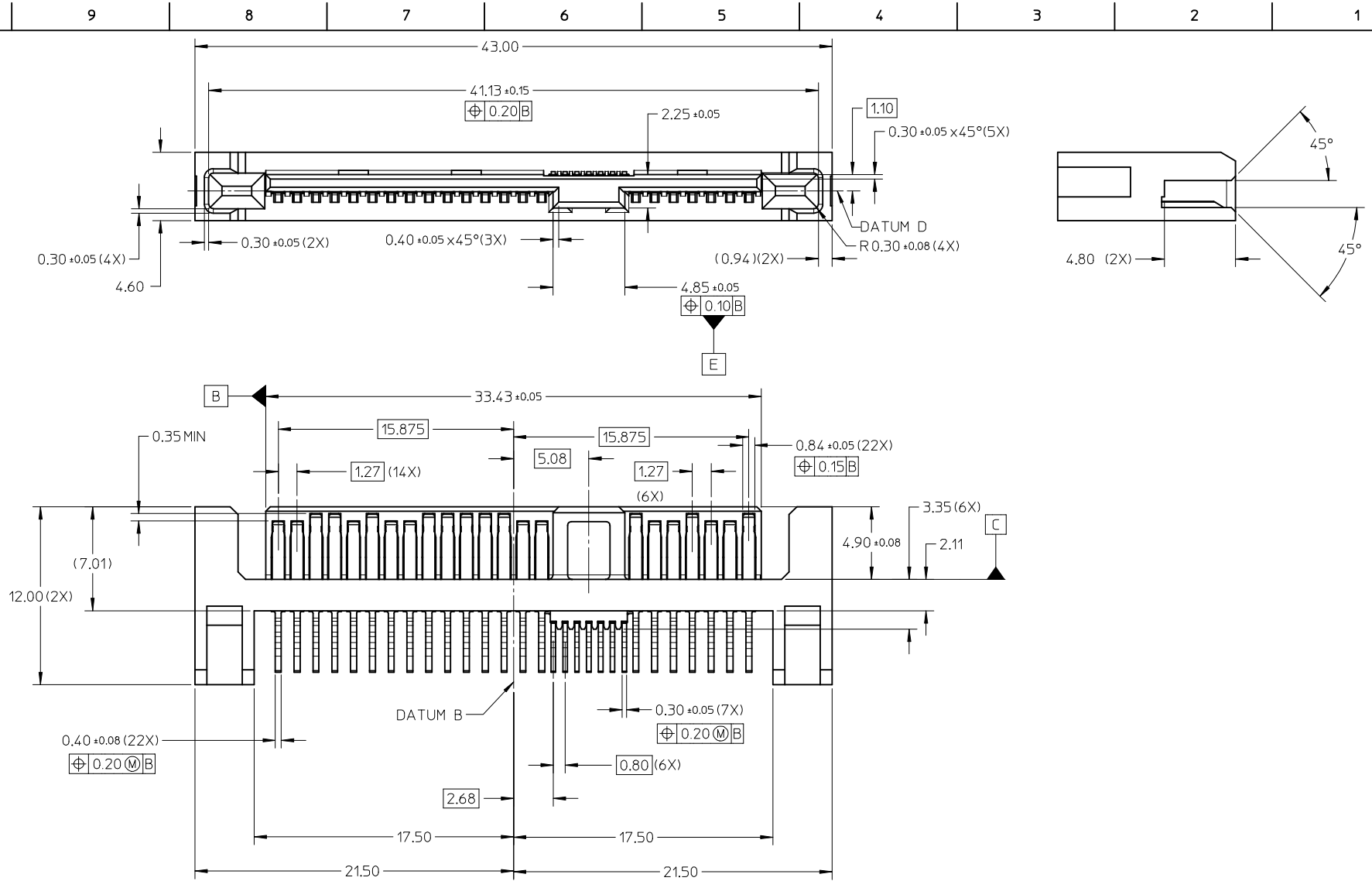


NOTES:

1. MATERIAL :
HOUSING : LCP, GLASS FILLED, UL94V-0, COLOR BLACK.
TERMINAL : CARTRIDGE BRASS, C26000.
2. PLATING FINISHES :
PORT 1 :
CONTACT : 0.76um MIN. GOLD OVER 1.27um MIN. NICKEL UNDERPLATE.
SOLDERTAIL : 1.91um MIN. TIN OVER 1.27um MIN. NICKEL UNDERPLATE.
PORT 2 :
CONTACT : 0.76um MIN. GOLD OVER 1.27um MIN. NICKEL UNDERPLATE.
SOLDERTAIL : 1.91um MIN. TIN OVER 1.27um MIN. NICKEL UNDERPLATE.
3. PRODUCT SPECIFICATION : PS-78477-001.
4. PACKAGING SPECIFICATION : PK-78477-001
PARTS SHALL BE PACKED IN TRAY.
5. MATES WITH SFF 8482 STANDARD RECEPTACLES.
APPLICABLE TO MOLEX PART NUMBER 87824, 78317, 78367 AND 78476.
6. DATE CODE FORMAT : YYDDD.
7. MOLEX LOGO & PART NUMBER LOCATED APPROXIMATELY AS SHOWN.
8. NON FUNCTIONAL CORINGS MAY VARY FROM DRAWING.



INITIAL RELEASE EC NO: S2009-0575 DRW:KHLIM 2009/03/16 CHKD:CGOH 2009/03/16 APPR:BOKOK 2009/03/16	DESCRIPTION REV	QUALITY SYMBOLS	GENERAL TOLERANCES (UNLESS SPECIFIED)	DIMENSION STYLE	SCALE	DESIGN UNITS	THIRD ANGLE PROJECTION	
		▼=0 □=0	mm INCH 4 PLACES ± --- ± --- 3 PLACES ± --- ± --- 2 PLACES ± 0.20 ± --- 1 PLACE ± --- ± --- ANGULAR ± 3 °	MM ONLY	NTS	METRIC		
			DRAFT WHERE APPLICABLE MUST REMAIN WITHIN DIMENSIONS	DRAWN BY: KHLIM DATE: 2009/02/06 CHECKED BY: CGOH DATE: 2009/03/16 APPROVED BY: BOKOK DATE: 2009/03/16	TITLE	SAS PLUG STRADDLE MOUNT 1.20MM MOUNTING HEIGHT		
				MATERIAL NO. 78477-0001	MOLEX INCORPORATED DOCUMENT NO. SD-78477-001	SHEET NO.	1 OF 4	

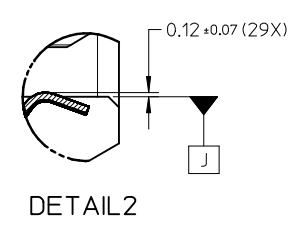
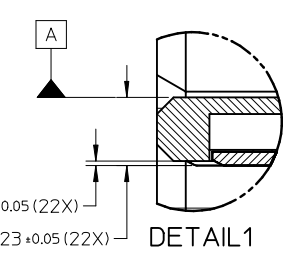
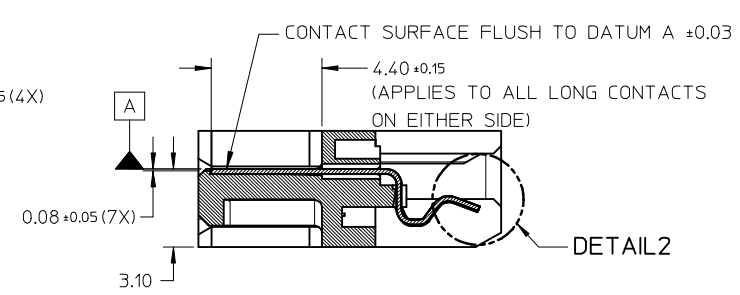
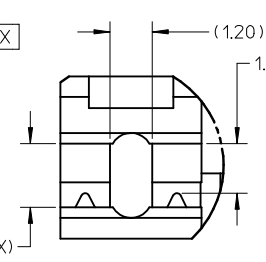
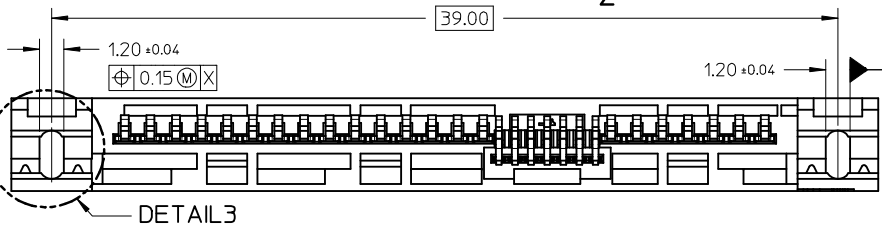
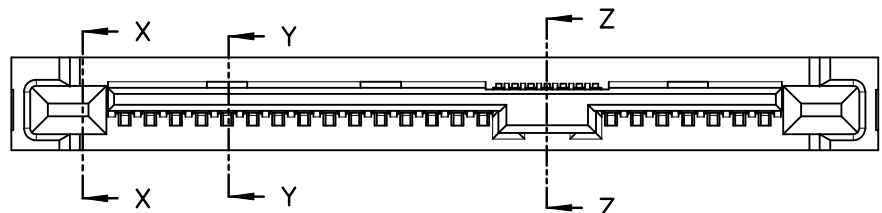
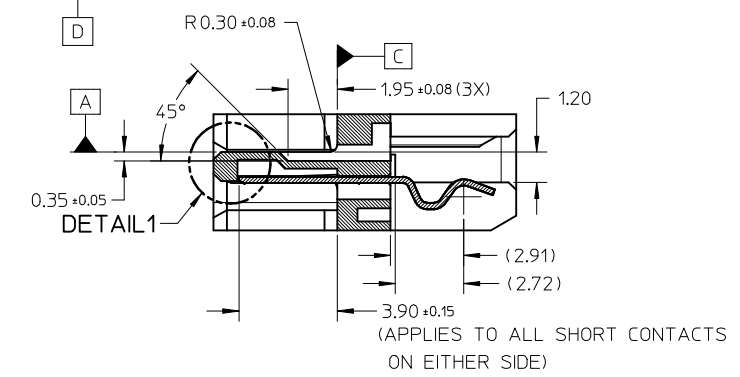
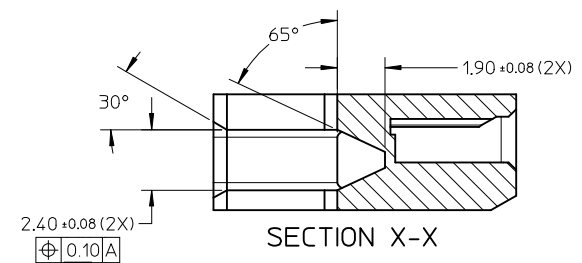
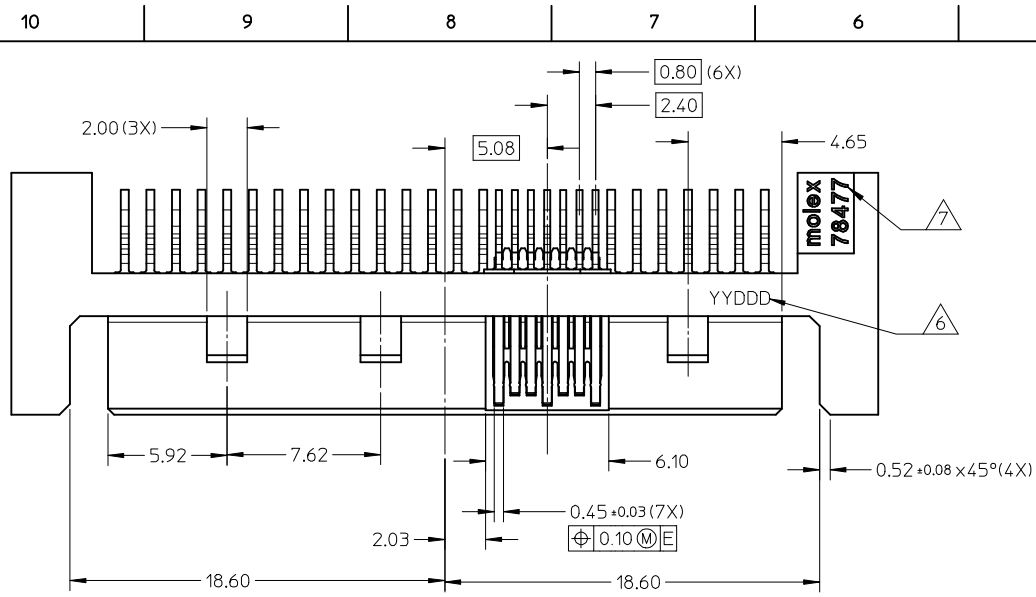


INITIAL RELEASE EC NO: S2009-0575 DRW:KHLIM CHKD:CGOH APPR: BOKOK	2009/03/16	DESCRIPTION	QUALITY SYMBOLS
	2009/03/16		▽=0
	2009/03/16		⊕=0
	REV		

GENERAL TOLERANCES (UNLESS SPECIFIED)	mm	INCH	
	4 PLACES	± ---	± ---
	3 PLACES	± ---	± ---
	2 PLACES	± 0.20	± ---
	1 PLACE	± ---	± ---
ANGULAR ± 3 °			
DRAFT WHERE APPLICABLE MUST REMAIN WITHIN DIMENSIONS			

DIMENSION STYLE		SCALE	DESIGN UNITS	THIRD ANGLE PROJECTION
MM ONLY		NTS	METRIC	
DRAWN BY	DATE	TITLE		
KHLIM	2009/02/06	SAS PLUG STRADDLE MOUNT		
CHECKED BY	DATE	1.20MM MOUNTING HEIGHT		
CGOH	2009/03/16	MOLEX INCORPORATED		
APPROVED BY	DATE	DOCUMENT NO.		
BOKOK	2009/03/16	78477-0001		
MATERIAL NO.	SD-78477-001			
SIZE	THIS DRAWING CONTAINS INFORMATION THAT IS PROPRIETARY TO MOLEX INCORPORATED AND SHOULD NOT BE USED WITHOUT WRITTEN PERMISSION			
A3				

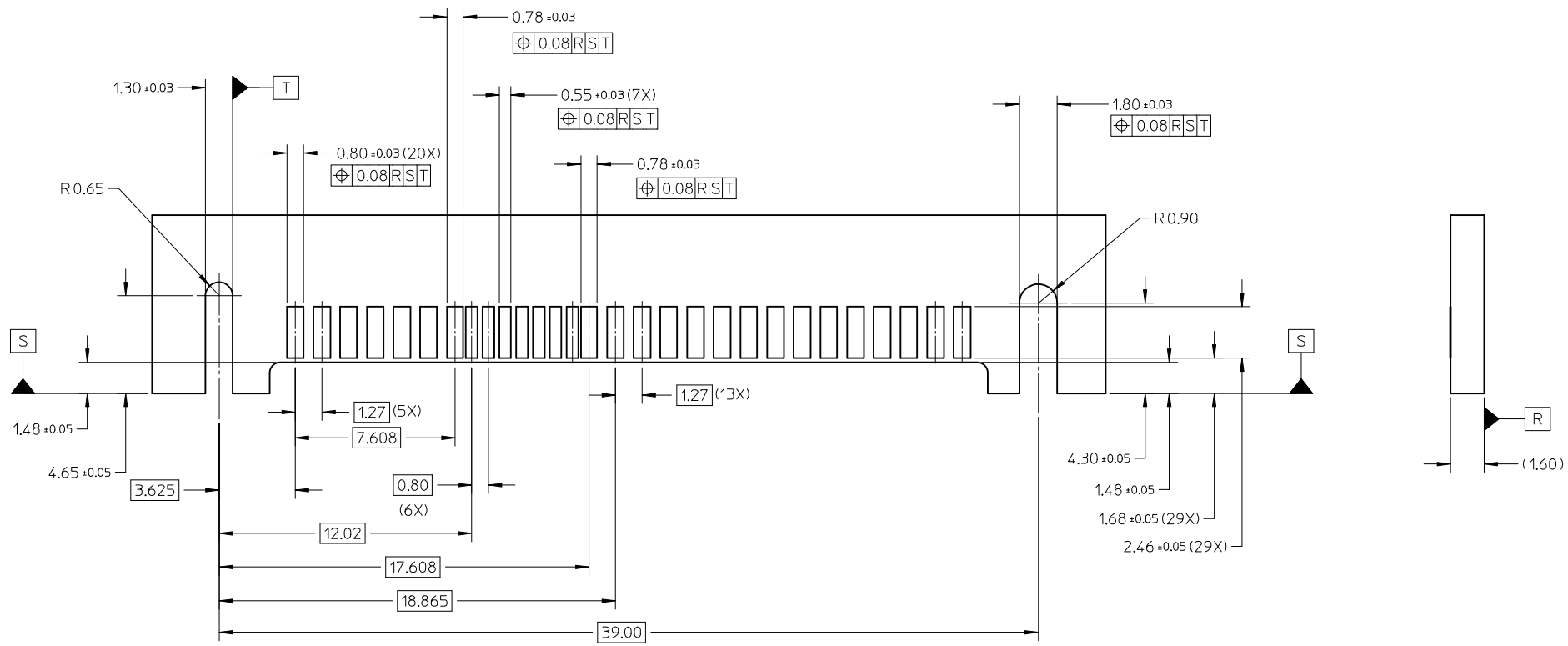
SHEET NO.	
2 OF 4	



SECTION Z-Z

INITIAL RELEASE EC NO: S2009-0575 DRW:KHLIM 2009/03/16 CHKD:CGOH 2009/03/16 APPR:BOKOK 2009/03/16	QUALITY SYMBOLS ▽=0 ◻=0	GENERAL TOLERANCES (UNLESS SPECIFIED)		DIMENSION STYLE MM ONLY		SCALE NTS	DESIGN UNITS METRIC	THIRD ANGLE PROJECTION			
			mm	INCH	DRAWN BY KHLIM	DATE 2009/02/06	TITLE SAS PLUG STRADDLE MOUNT				
			4 PLACES	± ---	± ---	CHECKED BY CGOH	DATE 2009/03/16	120MM MOUNTING HEIGHT			
			3 PLACES	± ---	± ---	APPROVED BY BOKOK	DATE 2009/03/16	MOLEX INCORPORATED			
	2 PLACES	± 0.20	± ---	ANGULAR ± 3 °		MATERIAL NO. 78477-0001		DOCUMENT NO. SD-78477-001			
	1 PLACE	± ---	± ---	DRAFT WHERE APPLICABLE MUST REMAIN WITHIN DIMENSIONS		SIZE A3		SHEET NO. 3 OF 4			
THIS DRAWING CONTAINS INFORMATION THAT IS PROPRIETARY TO MOLEX INCORPORATED AND SHOULD NOT BE USED WITHOUT WRITTEN PERMISSION											

10 9 8 7 6 5 4 3 2 1



RECOMMENDED PCB LAYOUT
THICKNESS: 1.60±0.05

INITIAL RELEASE EC NO: S2009-0575 DRW:KHLIM CHKD:CGOH APPR:BOKOK	2009/03/16 2009/03/16 2009/03/16	DESCRIPTION REV	QUALITY SYMBOLS	GENERAL TOLERANCES (UNLESS SPECIFIED)	DIMENSION STYLE	SCALE	DESIGN UNITS	THIRD ANGLE PROJECTION
			$\nabla=0$ $\text{C}=0$	mm INCH	MM ONLY	NTS	METRIC	
			4 PLACES ± --- ± --- 3 PLACES ± --- ± --- 2 PLACES ± 0.20 ± --- 1 PLACE ± --- ± ---	DRAWN BY: KHLIM DATE: 2009/02/06 CHECKED BY: CGOH DATE: 2009/03/16 APPROVED BY: BOKOK DATE: 2009/03/16	TITLE			
			ANGULAR ± 3 °	MATERIAL NO. 78477-0001	SAS PLUG STRADDLE MOUNT 1.20MM MOUNTING HEIGHT MOLEX INCORPORATED	DOCUMENT NO. SD-78477-001	SHEET NO. 4 OF 4	

DRAFT WHERE APPLICABLE MUST REMAIN WITHIN DIMENSIONS

SIZE: A3

THIS DRAWING CONTAINS INFORMATION THAT IS PROPRIETARY TO MOLEX INCORPORATED AND SHOULD NOT BE USED WITHOUT WRITTEN PERMISSION

9 8 7 6 5 4 3 2 1