

**PLEASE CHECK WWW.MOLEX.COM FOR LATEST PART INFORMATION**

**Part Number:** [0857290102](#)  
**Status:** **Active**  
**Overview:** [magnetic modular jacks](#)  
**Description:** HyperJack™ 1000 PoE+ PSE Integrated Connector Module, 2x4, Without LEDs

**Documents:**

[3D Model](#) [RoHS Certificate of Compliance \(PDF\)](#)  
[Drawing \(PDF\)](#)

**General**

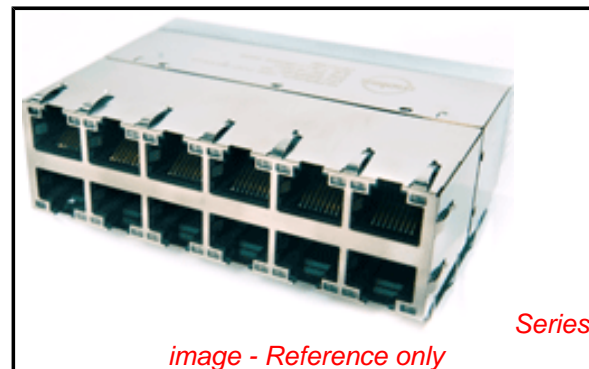
Product Family	Modular Jacks/Plugs
Series	<a href="#">85729</a>
Component Type	PCB Jack
Magnetic	Yes
More Detailed Tech Information	*For product specifications please contact your Molex sales representative
Overview	<a href="#">magnetic modular jacks</a>
Performance Category	5e
Power over Ethernet (PoE)	PoE+
Product Name	HyperJack™PoE

**Physical**

Boot Color	N/A
Color - Resin	Black
Durability (mating cycles max)	750
Inverted / Top Latch	Yes
Lightpipes/LEDs	None
Material - Metal	Brass, Copper Alloy
Material - Plating Mating	Gold
Material - Plating Termination	Tin
Material - Resin	Thermoplastic Polyurethane
Orientation	Right Angle (Side Entry)
PCB Locator	Yes
PCB Retention	Yes
Packaging Type	Tray
Pitch - Mating Interface (in)	0.040 In
Pitch - Mating Interface (mm)	1.02 mm
Pitch - Term. Interface (in)	0.040 In
Pitch - Term. Interface (mm)	1.02 mm
Plating min: Mating (µin)	30
Plating min: Mating (µm)	0.76
Plating min: Termination (µin)	50.8
Plating min: Termination (µm)	1.27
Ports	8
Positions / Loaded Contacts	8/8
Surface Mount Compatible (SMC)	No
Temperature Range - Operating	0°C to +70°C
Termination Interface: Style	Through Hole
Waterproof / Dustproof	No
Wire/Cable Type	N/A

**Electrical**

Current - Maximum per Contact	1.5A
Grounding to PCB	Yes
Grounding to Panel	Yes
Shielded	Yes



*image - Reference only*

**EU RoHS**

**ELV and RoHS  
Compliant  
REACH SVHC  
Not Reviewed  
Halogen-Free  
Status  
Not Reviewed**

**China RoHS**



**Need more information on product environmental compliance?**

Email [productcompliance@molex.com](mailto:productcompliance@molex.com)  
 For a multiple part number RoHS Certificate of Compliance, [click here](#)

Please visit the [Contact Us](#) section for any non-product compliance questions.

**Search Parts in this Series**

[85729Series](#)

**Mates With**

Plugs according to IEC 60603-7

Voltage - Maximum

48V

**Material Info**

**Reference - Drawing Numbers**

Product Specification

RPS-85719-001

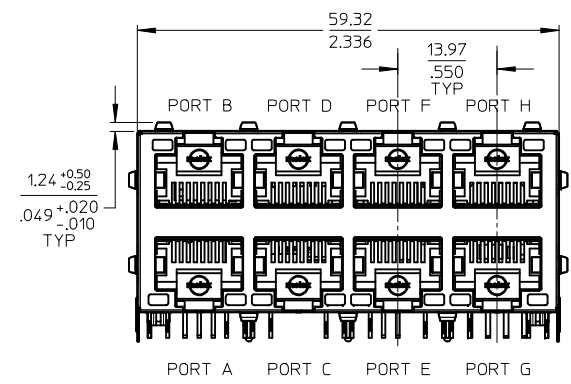
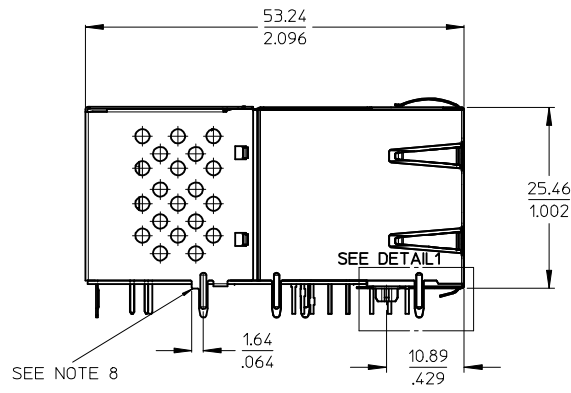
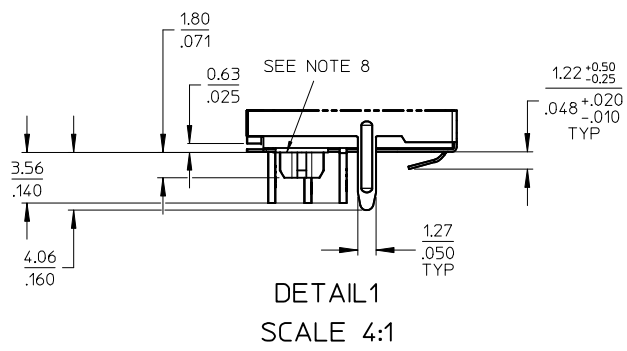
Sales Drawing

SD-85729-101

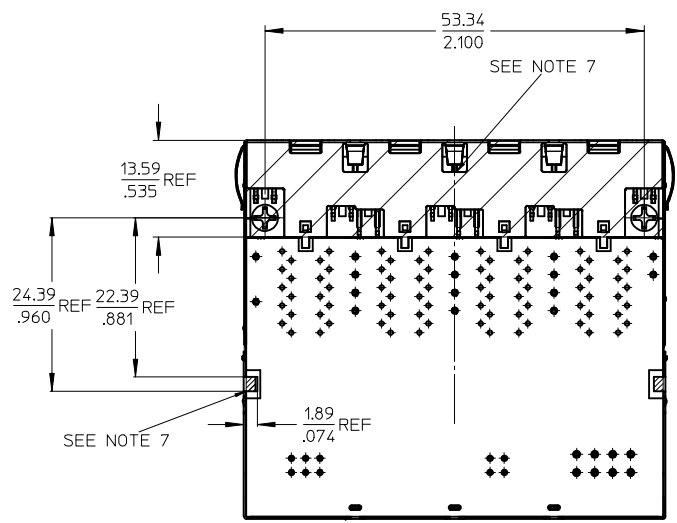
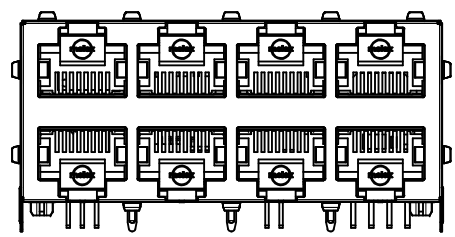
This document was generated on 06/08/2010

**PLEASE CHECK [WWW.MOLEX.COM](http://WWW.MOLEX.COM) FOR LATEST PART INFORMATION**

FRONT VIEW HYPER JACK 1000 POE+ ICM LED VERSION P/N 85729-0101



FRONT VIEW HYPERJACK 1000POE+ ICM NON LED VERSION P/N 85729-0102

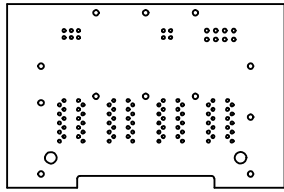


P / N	VERSION
85729-0101	LED VERSION
85729-0102	NON LED VERSION

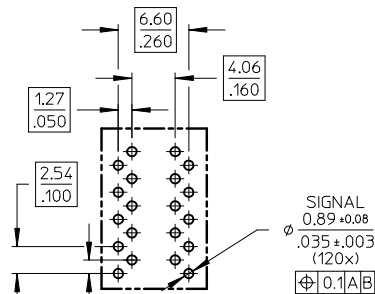
- NOTES:
- 1 - SHIELD MATERIAL: BRASS; PLATING: Ni PRE-PLATING
  - 2 - PLASTIC MATERIAL: NAGASE-D-VALOX 420 SED BLACK, 30%GR, UL 94V-0\5V (PBT)
  - 3 - TERMINALS MATERIAL: COPPER ALLOY  
RJ45 CONTACT PLATING: 0.764µm GOLD OVER 1.94µm Ni  
SOLDER TERMINALS: 34µm Sn
  - 4 - JACK TO BE MATED WITH FCC 68.5 PLUGS
  - 5 - PRODUCT SPECIFICATION: PS-85719-001
  - 6 - PACKAGING SPECIFICATION: PK-85729-101
  - 7 - TRACES WITHOUT INSULATION NOT ALLOWED IN THE DASHED AREAS.  
(TO AVOID SHORTS TO SHIELD)
  - 8 - STAND OFF TO SYSTEM BOARD

ENTER DESCRIPTION EC NO: MG2009-0072 DRWN: JBADER 2009/08/06 CHKD: MMANGARUDOV 2009/08/06 APPR: SSTE INKE 2009/08/07	QUALITY SYMBOLS ▽=0 ▽=0	GENERAL TOLERANCES (UNLESS SPECIFIED)		DIMENSION STYLE MM ONLY		SCALE 2:1	DESIGN UNITS METRIC	THIRD ANGLE PROJECTION	
		mm	INCH	DRAWN BY JBADER	DATE 2009/03/12	TITLE HYPERJACK 1000 POE+ INTEGRATED CONNECTOR MODULE	MATERIAL NO. SEE BOM		DOCUMENT NO. SD-85729-101
1	REV	4 PLACES	± ---	± ---	CHECKED BY MMANGARUDOV	DATE 2009/03/12	MOLEX INCORPORATED		
		3 PLACES	± ---	± ---	APPROVED BY SSTE INKE	DATE 2009/03/12			
		2 PLACES	± 0.25	± ---	DRAFT WHERE APPLICABLE MUST REMAIN WITHIN DIMENSIONS				
		1 PLACE	± 0.5	± ---	SIZE A 2 THIS DRAWING CONTAINS INFORMATION THAT IS PROPRIETARY TO MOLEX INCORPORATED AND SHOULD NOT BE USED WITHOUT WRITTEN PERMISSION				
		ANGULAR ± .5 °							

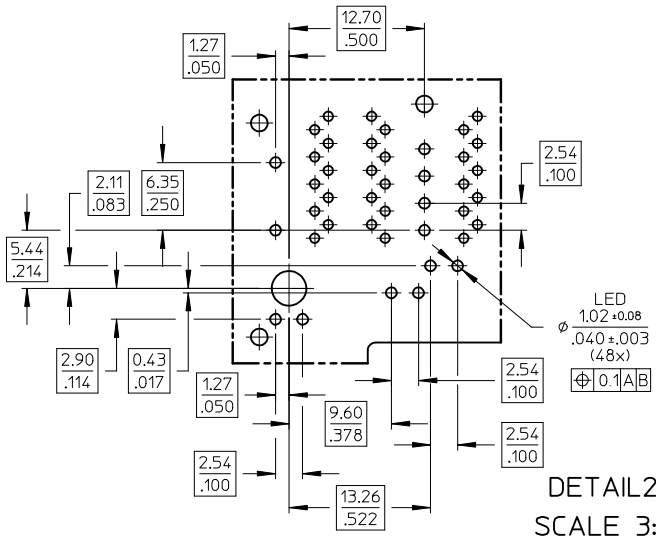
FOOT PRINT FOR NON LED VERSION (85729-0003)  
MISSING DIMENSIONS SEE LED VERSION



SCALE 1:1

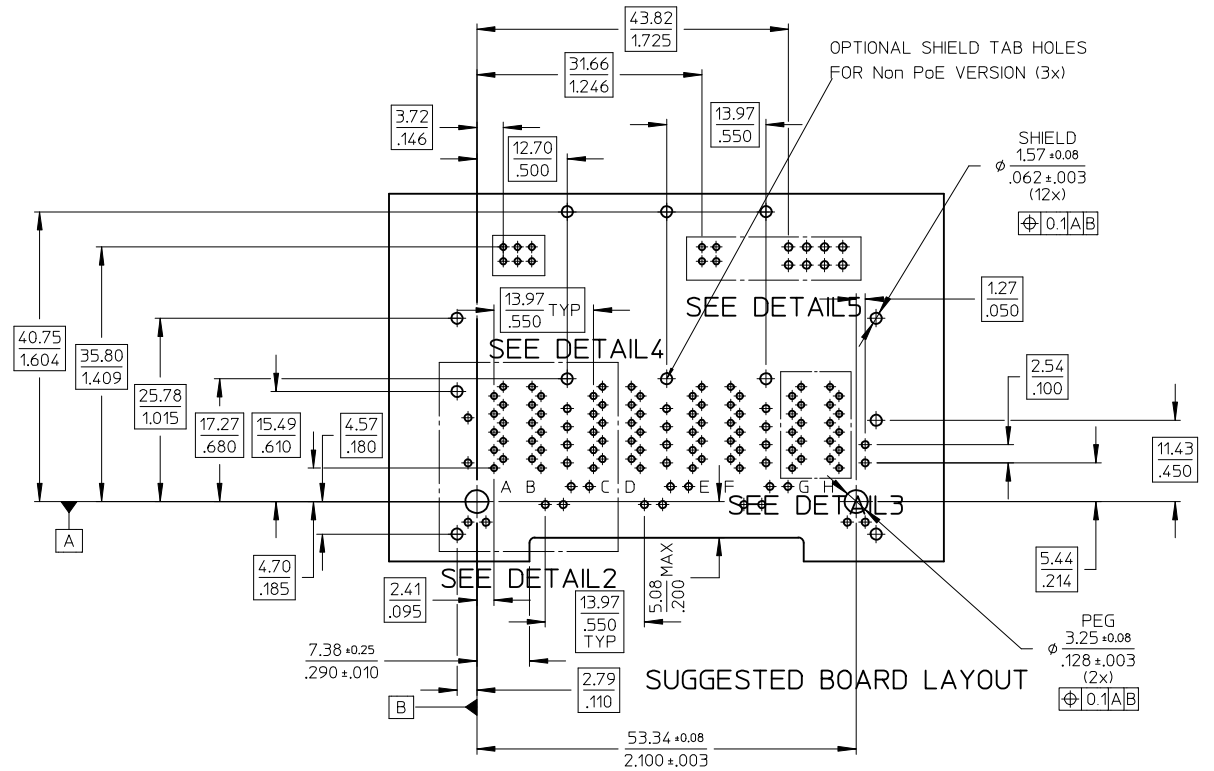


DETAIL 3  
SCALE 3:1

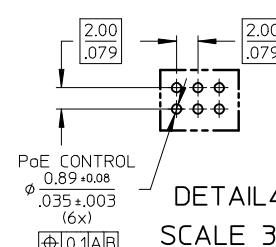


DETAIL 2  
SCALE 3:1

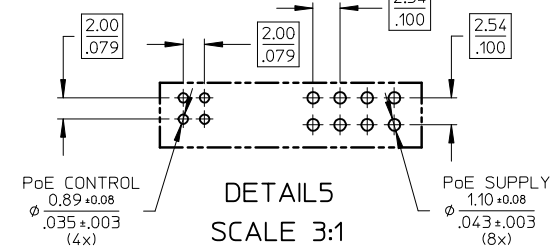
FOOT PRINT OUT FOR  
LED VERSION



SUGGESTED BOARD LAYOUT



DETAIL 4  
SCALE 3:1



DETAIL 5  
SCALE 3:1

<b>ENTER DESCRIPTION</b> EC NO: M2009-0072 DRWN: JBADER 2009/08/06 CHKD: MMANGARUDOV 2009/08/06 APPR: SSTEINKE 2009/08/07	<b>QUALITY SYMBOLS</b> ▽=0 ▽=0	<b>GENERAL TOLERANCES (UNLESS SPECIFIED)</b>		<b>DIMENSION STYLE</b> MM ONLY	<b>SCALE</b> 2:1	<b>DESIGN UNITS</b> METRIC	THIRD ANGLE PROJECTION
		4 PLACES ± --- ± --- 3 PLACES ± --- ± --- 2 PLACES ± 0.25 ± --- 1 PLACE ± 0.5 ± --- ANGULAR ± .5 °	mm INCH ± --- ± --- ± 0.25 ± --- ± 0.5 ± ---	DRAWN BY JBADER	DATE 2009/03/12	<b>TITLE</b> HYPERJACK 1000 POE+ INTEGRATED CONNECTOR MODULE	
<b>REVISION</b> 1	<b>DESCRIPTION</b> 1	DRAFT WHERE APPLICABLE MUST REMAIN WITHIN DIMENSIONS		APPROVED BY SSTEINKE	DATE 2009/03/12	<b>MOLEX INCORPORATED</b>	
		SEE SHEET 1		MATERIAL NO. A2	DOCUMENT NO. SD-85729-101	SHEET NO. 2 OF 3	

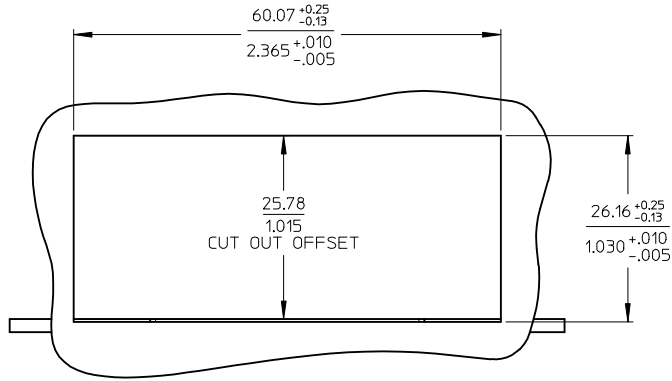
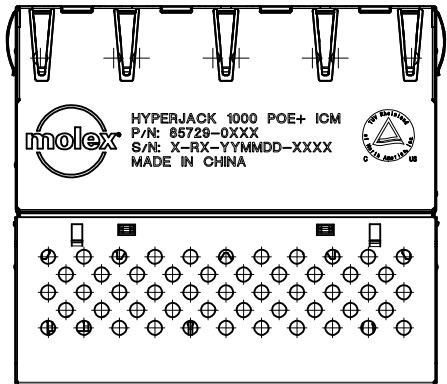
PRINTING  
LED VERSION

HYPERJACK 1000 POE+ ICM  
P/N: 85729-0101  
S/N: X-RX-YYMMDD-XXXX  
MADE IN CHINA

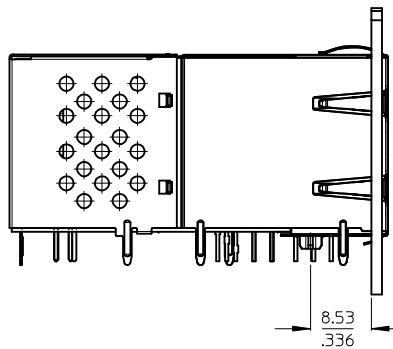
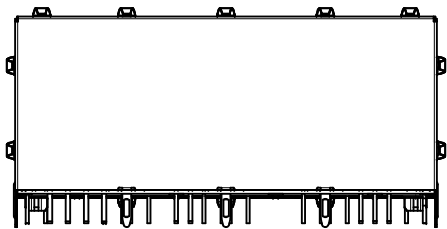
PRINTING  
NON LED VERSION

HYPERJACK 1000 POE+ ICM  
P/N: 85729-0102  
S/N: X-RX-YYMMDD-XXXX  
MADE IN CHINA

PRINTING



SUGGESTED PANEL CUT OUT



NOTES:

- 1 - PRINTING MARKED BY LASER
- 2 - INSCRIPTION:
  - 1st LINE: PART NAME
  - 2nd LINE: PART NUMBER
  - 3rd LINE: SERIES NUMBER -> MANUFACTURER ID - CONNECTOR REVISION - DATE CODE (YEAR, MONTH, DAY) - CONSECUTIVE NUMBER
  - 4th LINE: COUNTRY OF ORIGIN
- 3 - TUV LOGO

ENTER DESCRIPTION EC NO: MG2009-0072 DRWN: JBADER 2009/08/06 CHKD: MMANGARUDOV 2009/08/06 APPR: SSTE INKE 2009/08/07	QUALITY SYMBOLS ▽=0 ▽=0	GENERAL TOLERANCES (UNLESS SPECIFIED)	DIMENSION STYLE MM ONLY	SCALE 2:1	DESIGN UNITS METRIC	THIRD ANGLE PROJECTION
	DESCRIPTION 1	mm INCH 4 PLACES ± --- ± --- 3 PLACES ± --- ± --- 2 PLACES ± 0.25 ± --- 1 PLACE ± 0.5 ± --- ANGULAR ± .5 °	DRAWN BY JBADER DATE 2009/03/12	TITLE HYPERJACK 1000 POE+ INTEGRATED CONNECTOR MODULE	MOLEX INCORPORATED	
	DRAFT WHERE APPLICABLE MUST REMAIN WITHIN DIMENSIONS	SEE SHEET 1	APPROVED BY SSTE INKE DATE 2009/03/12	DOCUMENT NO. SD-85729-101	SHEET NO. 3 OF 3	
			THIS DRAWING CONTAINS INFORMATION THAT IS PROPRIETARY TO MOLEX INCORPORATED AND SHOULD NOT BE USED WITHOUT WRITTEN PERMISSION			