

**PLEASE CHECK WWW.MOLEX.COM FOR LATEST PART INFORMATION**

**Part Number:** [0875910420](#)  
**Status:** **Active**  
**Description:** 2.50mm (.098) Pitch Wire-to-Board Header, Right Angle, Friction Lock, 4 Circuit

**Documents:**

[3D Model](#) [Product Specification PS-87591-0001 \(PDF\)](#)  
[Drawing \(PDF\)](#) [RoHS Certificate of Compliance \(PDF\)](#)

**General**

Product Family	PCB Headers
Series	<a href="#">87591</a>
Application	Wire-to-Board
Product Name	N/A

**Physical**

Breakaway	No
Circuits (Loaded)	4
Circuits (maximum)	4
Color - Resin	Gray
First Mate / Last Break	No
Glow-Wire Compliant	No
Guide to Mating Part	No
Keying to Mating Part	None
Lock to Mating Part	Yes
Material - Plating Mating	Tin
Material - Plating Termination	Tin
Material - Resin	Polyester
Number of Rows	1
Orientation	Right Angle
PC Tail Length (in)	0.138 In
PC Tail Length (mm)	3.50 mm
PCB Retention	Yes
PCB Thickness Recommended (in)	0.062 In
PCB Thickness Recommended (mm)	1.60 mm
Packaging Type	Bag
Pitch - Mating Interface (in)	0.098 In
Pitch - Mating Interface (mm)	2.50 mm
Plating min: Mating (µin)	200
Plating min: Mating (µm)	5
Plating min: Termination (µin)	200
Plating min: Termination (µm)	5
Polarized to PCB	No
Shrouded	Partial
Stackable	No
Temperature Range - Operating	-25°C to +85°C
Termination Interface: Style	Through Hole

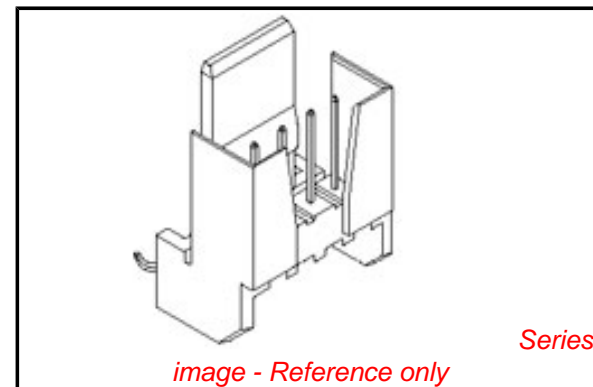
**Electrical**

Current - Maximum per Contact	3A
Voltage - Maximum	250V

**Material Info**

**Reference - Drawing Numbers**

Product Specification	PS-87591-0001
Sales Drawing	SD-87591-0420



*image - Reference only*

**EU RoHS**

**ELV and RoHS  
Compliant**  
**REACH SVHC  
Not Reviewed**  
**Halogen-Free  
Status  
Not Reviewed**

**China RoHS**



**Need more information on product  
environmental compliance?**

Email [productcompliance@molex.com](mailto:productcompliance@molex.com)  
For a multiple part number RoHS Certificate of Compliance, [click here](#)

Please visit the [Contact Us](#) section for any non-product compliance questions.

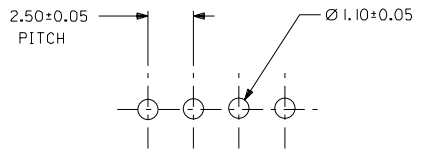
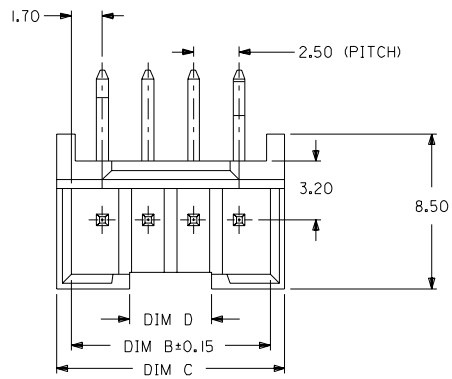
**Search Parts in this Series**  
[87591Series](#)

This document was generated on 04/19/2010

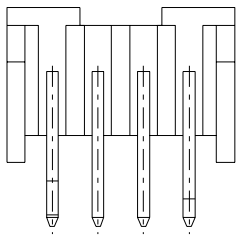
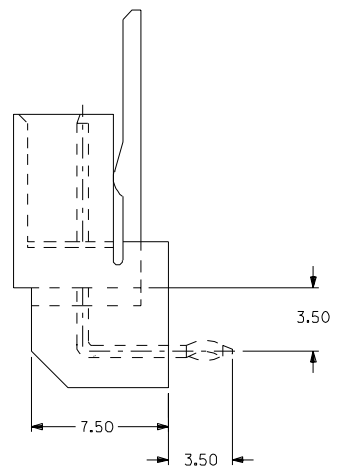
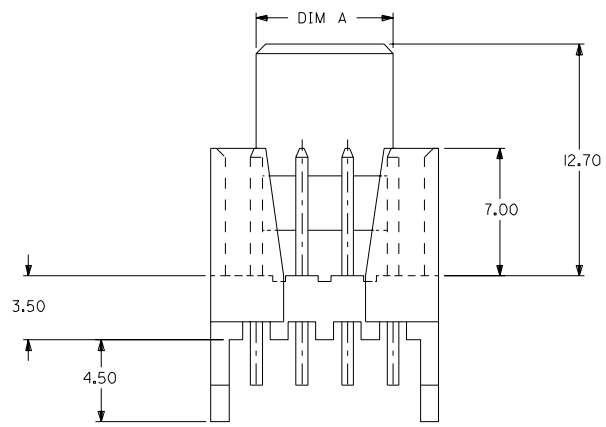
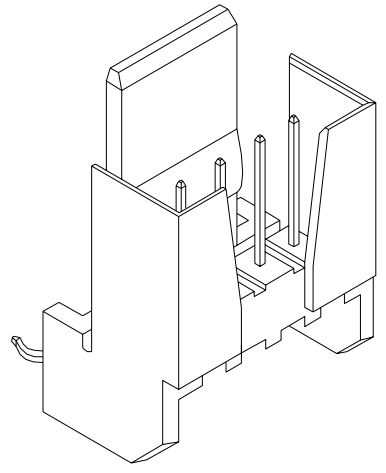
**PLEASE CHECK [WWW.MOLEX.COM](http://WWW.MOLEX.COM) FOR LATEST PART INFORMATION**

DWG. NO. SD\_87591-0420  
 CAD FILE 87591S10.DGN  
 DO NOT SCALE DRAWING

CIRCUITS	PART NO.	DIM A	DIM B	DIM C	DIM D
4	87591-0420	7.5	10.9	12.5	4.3



RECOMMENDED PCB HOLE DIMENSIONS



NOTES:

- MATERIAL :  
 HOUSING - 15% C.F. PBT, COLOR : GREY  
 GE PLASTICS VALOX DR48  
 TERMINAL - TIN-LEAD PLATED BRASS
- BULK PACK IN PVC BAG WITH 1000 PCS PER BAG

				MATERIAL :		MOLEX SINGAPORE PTE LTD	
				SEE NOTES		SHEET 1 OF 1	
				FINISH :		GENERAL TOLERANCES ± 0.20/0.008	
				SEE NOTES		DWG. NO. SD_87591-0420	
				DRAWN BY SAK 960910		CHK'D BY GMS 960913	
				APPR'D BY PT HO 960913		SCALE 4 : 1	
				TITLE :		2.5MM WIRE-BOARD RIGHT ANGLE HEADER	
REVISE ONLY ON CAD SYSTEM							