

**PLEASE CHECK WWW.MOLEX.COM FOR LATEST PART INFORMATION**

**Part Number:** [0355070500](#)  
**Status:** **Active**  
**Overview:** sherlock  
**Description:** 2.00mm (.079") Pitch Sherlock™ Wire-to-Board Housing, Natural, 5 Circuits

**Documents:**

<a href="#">3D Model</a>	<a href="#">Product Specification PS-35507-002 (PDF)</a>
<a href="#">Drawing (PDF)</a>	<a href="#">RoHS Certificate of Compliance (PDF)</a>
<a href="#">Product Specification PS-35507-001 (PDF)</a>	

**Agency Certification**

CSA	LR19980
UL	E29179

**General**

Product Family	Crimp Housings
Series	<a href="#">35507</a>
Overview	<a href="#">sherlock</a>
Product Name	Sherlock™

**Physical**

Circuits (maximum)	5
Circuits Detail	5
Color - Resin	Natural
Flammability	94V-0
Gender	Female
Glow-Wire Compliant	No
Keying to Mating Part	None
Lock to Mating Part	Yes
Material - Resin	Polyester
Number of Rows	1
Packaging Type	Bag
Panel Mount	No
Pitch - Mating Interface (in)	0.079 In
Pitch - Mating Interface (mm)	2.00 mm
Polarized to Mating Part	Yes
Stackable	No
Temperature Range - Operating	-40°C to +105°C

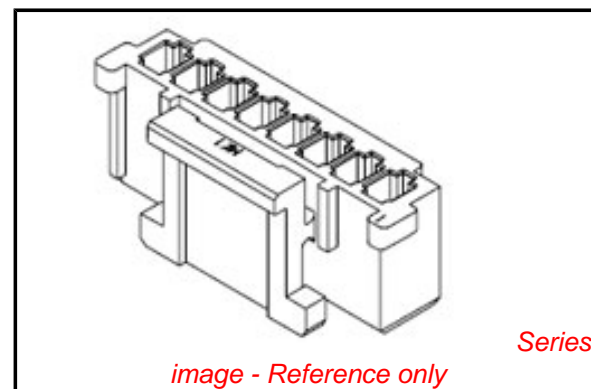
**Electrical**

Current - Maximum per Contact	2A
-------------------------------	----

**Material Info**

**Reference - Drawing Numbers**

Product Specification	PS-35507-001, PS-35507-002, RPS-35507-003, RPS-35507-004, RPS-35507-005, RPS-35507-009, RPS-35507-010, RPS-35507-011
Sales Drawing	SD-35507-001



**EU RoHS**

**ELV and RoHS Compliant**  
**REACH SVHC Contains SVHC: No**  
**Halogen-Free Status**

**China RoHS**



**Not Halogen-Free**  
**Need more information on product environmental compliance?**

Email [productcompliance@molex.com](mailto:productcompliance@molex.com)  
 For a multiple part number RoHS Certificate of Compliance, [click here](#)

Please visit the [Contact Us](#) section for any non-product compliance questions.

**Search Parts in this Series**

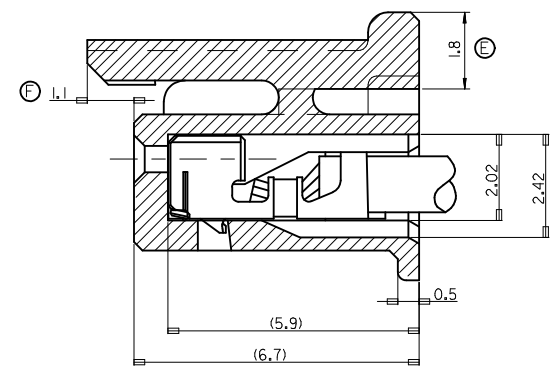
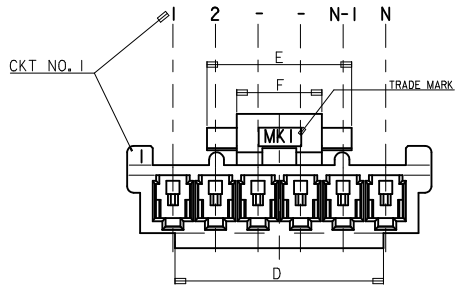
[35507Series](#)

**Mates With**

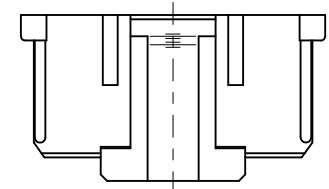
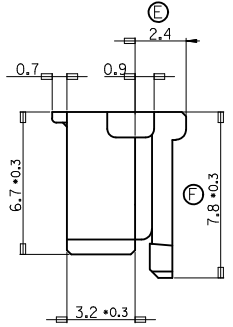
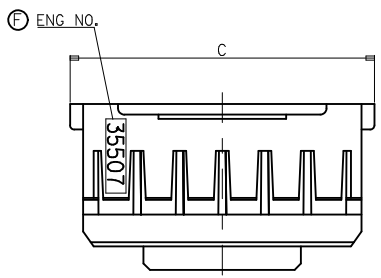
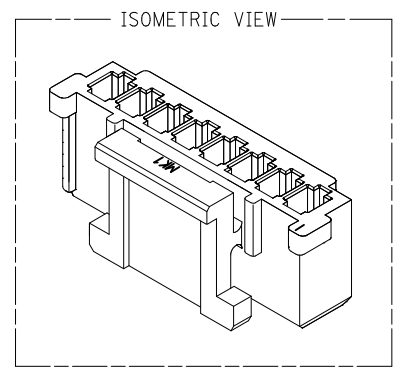
Sherlock™ Wire-to-Board Header [35362](#) , [35363](#)

**Use With**

2.00mm (.079") Pitch Crimp Terminal [50212](#) , [10440](#)

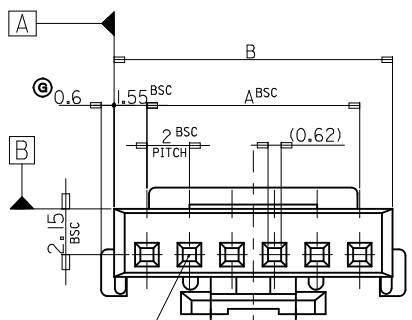


TERMINAL INSERTED DRAWING  
SCALE 2:1



NOTES

- 1. MATERIAL : POLYESTER, UL94V-0
- 2. FINISH : VARIABLE COLOR (SEE LEGEND)
- 3. PRODUCT SPECIFICATION NO : PS-35507-001
- 4. APPLICABLE TERMINAL : 50212-8000
- 5. MATES WITH : 35362-\*\*\*, 35363-\*\*\*



LEGEND

0	: NATURAL
1	: BLACK
2	: RED
3	: YELLOW
4	: BLUE
5	: GREEN

30 over	+0.3
10 over 30 under	±0.25
10 under	±0.2
ANGLE	±3°
GENERAL TOLERANCE	

REVISED  
EC NO: KOR2008-0029  
DRWN: JHLE05 2009/12/18  
CHKD: KSK IM 2009/12/18  
APPR: YUNSIKKIM 2009/12/21

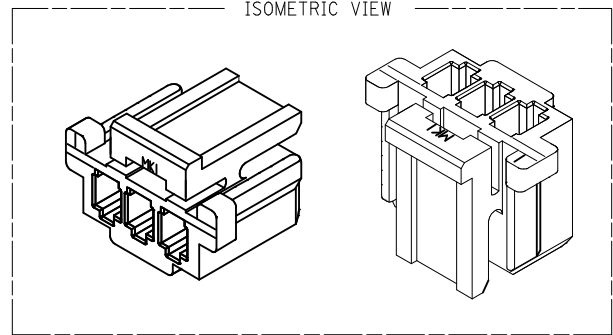
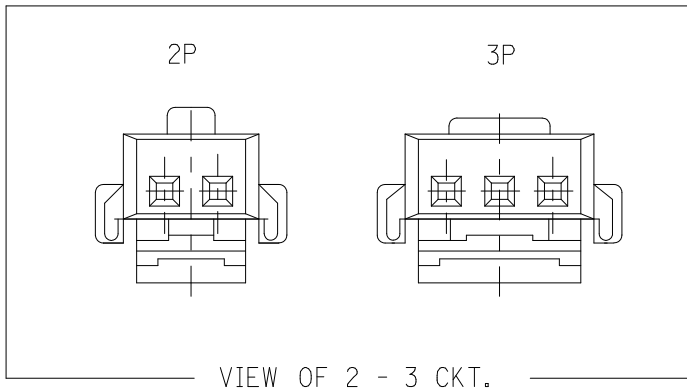
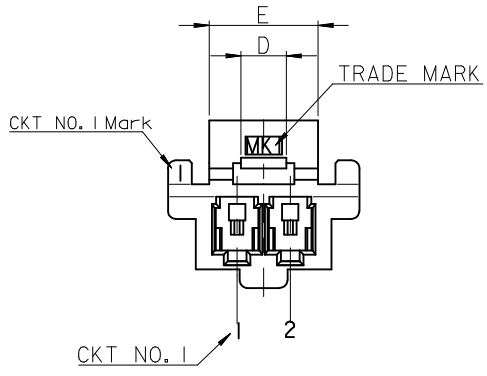
QUALITY SYMBOLS  
▽=1  
∇=0

GENERAL TOLERANCES (UNLESS SPECIFIED)	
	mm INCH
4 PLACES	± --- ± ---
3 PLACES	± --- ± ---
2 PLACES	± --- ± ---
1 PLACE	± --- ± ---
ANGULAR ± ---°	

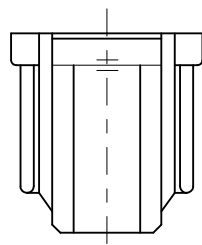
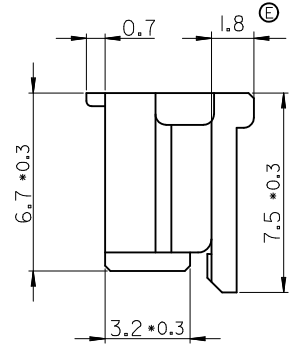
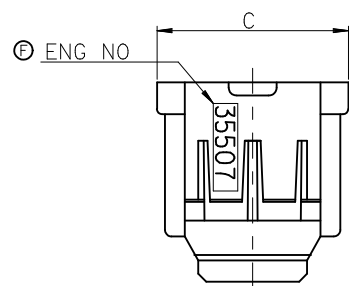
DIMENSION STYLE	
MM ONLY	
DRAWN BY	DATE
YSKIM02	1996/09/11
CHECKED BY	DATE
YSKIM04	1996/09/11
APPROVED BY	DATE
CWLEE	1996/09/12
MATERIAL NO.	
SEE TABLE	
SIZE	A3

SCALE		DESIGN UNITS		THIRD ANGLE PROJECTION	
1:1		METRIC		X	
2.0 W-T-B CONN HOUSING 4-15P ONLY					
MOLEX INCORPORATED				SHEET NO.	
DOCUMENT NO.				1 OF 3	
SD-35507-001					
THIS DRAWING CONTAINS INFORMATION THAT IS PROPRIETARY TO MOLEX INCORPORATED AND SHOULD NOT BE USED WITHOUT WRITTEN PERMISSION					

4	4	27.8	32.3	31.1	28	-150*	15
		25.8	30.3	29.1	26	-140*	14
		23.8	28.3	27.1	24	-130*	13
		21.8	26.3	25.1	22	-120*	12
		19.8	24.3	23.1	20	-110*	11
		17.8	22.3	21.1	18	-100*	10
7	7	15.8	20.3	19.1	16	-090*	9
8.0	10.8	13.8	18.3	17.1	14	-080*	8
4	4	11.8	16.3	15.1	12	-070*	7
		9.8	14.3	13.1	10	-060*	6
		7.8	12.3	11.1	8	-050*	5
410	614	5.8	10.3	9.1	6	35507-040*	4
F	E	D	C	B	A	ENG NO.	CKT

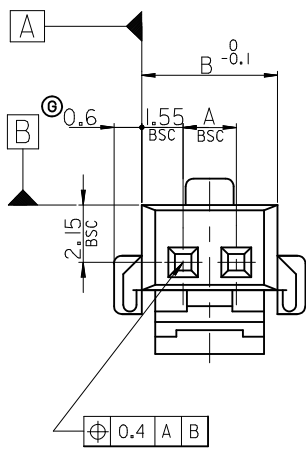


FOR 2 & 3 CKTS.



LEGEND

CKT NO.	**0*	COLOR	0 : NATURAL
			1 : BLACK
			2 : RED
			3 : YELLOW
			4 : BLUE
			5 : GREEN



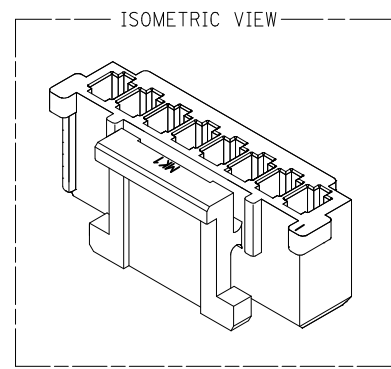
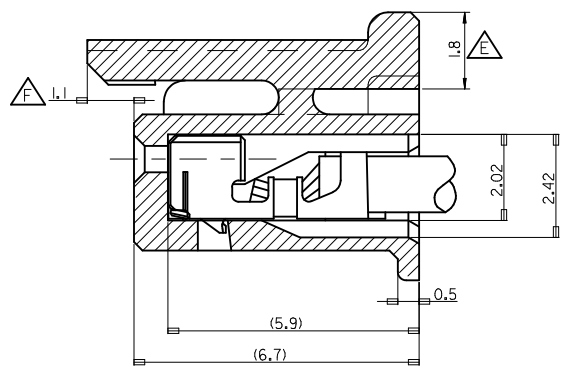
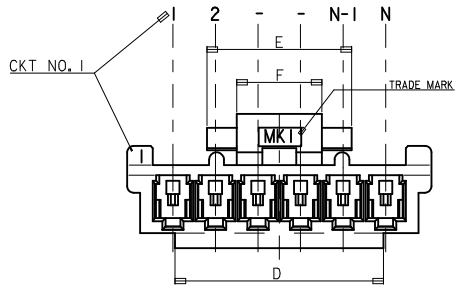
30 over	±0.3
10 over 30 under	±0.25
10 under	±0.2
ANGLE	±3°
GENERAL TOLERANCE	

NOTES

1. MATERIAL : POLYESTER, UL94V-0
2. FINISH : VARIABLE COLOR (SEE LEGEND)
3. PRODUCT SPECIFICATION NO : PS-35507-001
4. APPLICABLE TERMINAL : 50212-8000
5. MATES WITH : 35362-\*\*\*, 35363-\*\*\*

2.5	9.2	7.1	4	-030*	3
1.7	7.2	5.1	2	35507-020*	2
D	C	B	A	ENG NO.	CKT

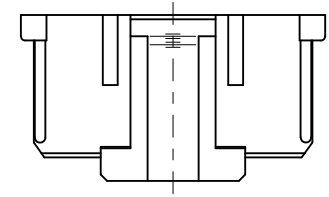
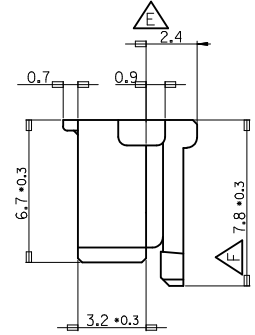
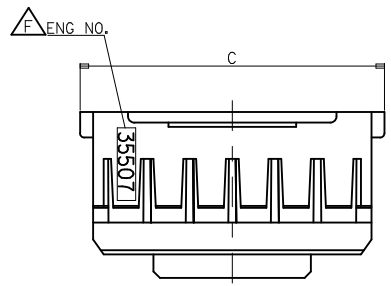
REVISED EC NO: KOR2008-0029 DRWN: JHLE05 2009/12/18 CHKD: KSK IM 2009/12/18 APPR: YUNSIKKIM 2009/12/21	QUALITY SYMBOLS ▽=0 ◻=0	GENERAL TOLERANCES (UNLESS SPECIFIED) <table border="1"> <tr> <th></th> <th>mm</th> <th>INCH</th> </tr> <tr> <td>4 PLACES</td> <td>±---</td> <td>±---</td> </tr> <tr> <td>3 PLACES</td> <td>±---</td> <td>±---</td> </tr> <tr> <td>2 PLACES</td> <td>±---</td> <td>±---</td> </tr> <tr> <td>1 PLACE</td> <td>±---</td> <td>±---</td> </tr> <tr> <td colspan="3">ANGULAR ±---°</td> </tr> </table>		mm	INCH	4 PLACES	±---	±---	3 PLACES	±---	±---	2 PLACES	±---	±---	1 PLACE	±---	±---	ANGULAR ±---°			DIMENSION STYLE MM ONLY DRAWN BY: YSKIM02 DATE: 1996/09/11 CHECKED BY: YSKIM04 DATE: 1996/09/11 APPROVED BY: CWLEE DATE: 1996/09/11	SCALE: 1:1 DESIGN UNITS: METRIC THIRD ANGLE PROJECTION	TITLE: 2.0 W-T-B CONN HOUSING 2 TO 3P ONLY
				mm	INCH																		
4 PLACES	±---	±---																					
3 PLACES	±---	±---																					
2 PLACES	±---	±---																					
1 PLACE	±---	±---																					
ANGULAR ±---°																							
DRAFT WHERE APPLICABLE MUST REMAIN WITHIN DIMENSIONS	SEE TABLE	MATERIAL NO. SD-35507-001	SHEET NO. 2 OF 3																				



TERMINAL INSERTED DRAWING  
SCALE 8:1

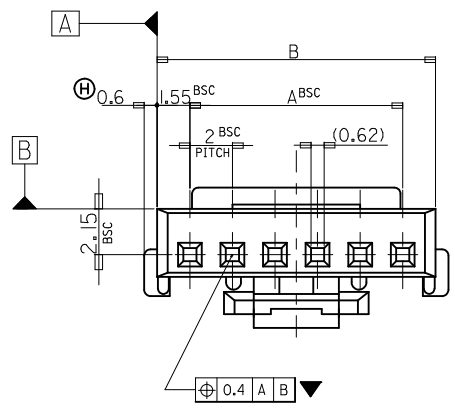
NOTES

1. MATERIAL : POLYESTER, NON GLASS FILLED, UL94V-0
2. FINISH : VARIABLE COLOR (SEE LEGEND)
3. PRODUCT SPECIFICATION : PS-35507-001
4. APPLICABLE TERMINAL : 50212-8000
5. MATES WITH : 35362-\*\*\*, 35363-\*\*\*



LEGEND

CKT NO.	***0*	COLOR	0 : NATURAL
			1 : BLACK
			2 : RED
			3 : YELLOW
			4 : BLUE
			5 : GREEN



8.0	10.8	37.8	42.3	41.1	38	35507200*	35507-200*	20
8.0	10.8	35.8	40.3	39.1	36	35507190*	35507-190*	19
8.0	10.8	33.8	38.3	37.1	34	35507180*	35507-180*	18
8.0	10.8	31.8	36.3	35.1	32	35507170*	35507-170*	17
8.0	10.8	29.8	34.3	33.1	30	35507160*	35507-160*	16
F	E	D	C	B	A	MATERIAL NO.	ENG NO.	CKT

REVISED EC NO: KOR2008-0029 DRWN: JHLEE05 2009/12/18 CHKD: KSK IM 2009/12/18 APPR: YUNSIKKIM 2009/12/18	QUALITY SYMBOLS	GENERAL TOLERANCES (UNLESS SPECIFIED)	DIMENSION STYLE	SCALE	DESIGN UNITS	THIRD ANGLE PROJECTION
	▼ = 0 ◻ = 0	mm    INCH 4 PLACES ± --- ± --- 3 PLACES ± --- ± --- 2 PLACES ± --- ± --- 1 PLACE ± --- ± --- ANGULAR ± ---°	MM ONLY	1:1	METRIC	
	DESCRIPTION	DRAFT WHERE APPLICABLE MUST REMAIN WITHIN DIMENSIONS	DRAWN BY: YSK1M02    DATE: 1996/09/11 CHECKED BY:            DATE: 1996/09/11 APPROVED BY:            DATE: 1996/09/11 CWLEE	2.0 W-T-B CONN HOUSING		
	REV		MATERIAL NO.	DOCUMENT NO.	MOLEX INCORPORATED	
			SEE TABLE	SD-35507-001		SHEET NO.