

**PLEASE CHECK WWW.MOLEX.COM FOR LATEST PART INFORMATION**

**Part Number:** [0039036040](#)  
**Status:** **Active**  
**Overview:** [standard\\_093](#)  
**Description:** 2.36mm (.093") Diameter Standard .093" Pin and Socket Plug Housing With Positive Latch, UL 94V-2, Panel Mount, 4 Circuits

**Documents:**

[3D Model](#) [Product Specification PS-3191-001 \(PDF\)](#)  
[Drawing \(PDF\)](#) [RoHS Certificate of Compliance \(PDF\)](#)

**Agency Certification**

CSA	LR19980
TUV	R72081037
UL	E29179

**General**

Product Family	Crimp Housings
Series	<a href="#">3191</a>
Comments	Polarized to Mating Part
Overview	<a href="#">standard_093</a>
Product Name	Standard .093"

**Physical**

Breakaway	No
Circuits (maximum)	4
Circuits Detail	2x2
Color - Resin	Natural
Flammability	94V-2
Gender	Dual
Glow-Wire Compliant	No
Keying to Mating Part	None
Lock to Mating Part	Yes
Material - Resin	Nylon
Number of Rows	1
Packaging Type	Bag
Panel Mount	Yes
Pitch - Mating Interface (in)	0.264 In
Pitch - Mating Interface (mm)	6.71 mm
Polarized to Mating Part	Yes
Stackable	No
Temperature Range - Operating	-40°C to +105°C

**Electrical**

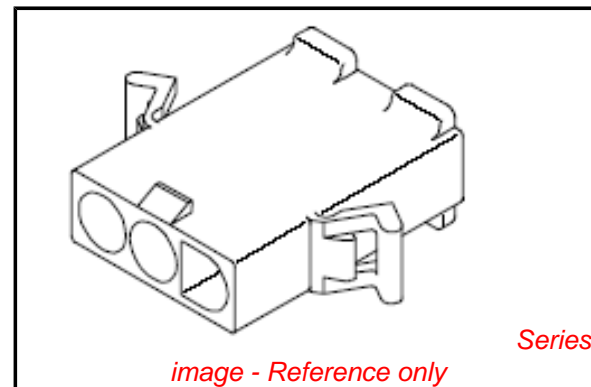
Current - Maximum per Contact	9A
-------------------------------	----

**Material Info**

Old Part Number	3191-04P
-----------------	----------

**Reference - Drawing Numbers**

Packaging Specification	SPK-3191-001
Product Specification	PS-3191-001
Sales Drawing	SD-3191-005



**EU RoHS**

**ELV and RoHS Compliant**  
**REACH SVHC**  
**Contains SVHC: No**  
**Halogen-Free Status**

**China RoHS**



**Need more information on product environmental compliance?**

Email [productcompliance@molex.com](mailto:productcompliance@molex.com)  
 For a multiple part number RoHS Certificate of Compliance, [click here](#)

Please visit the [Contact Us](#) section for any non-product compliance questions.

**Search Parts in this Series**

[3191Series](#)

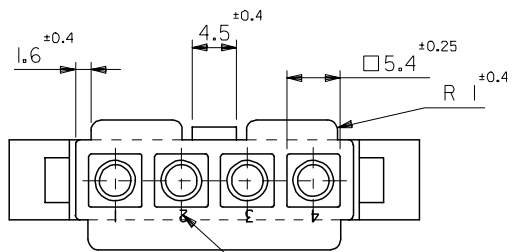
**Mates With**

[3191](#) Pin and Socket Rectacle, [5219](#) Vertical PCB Header

**Use With**

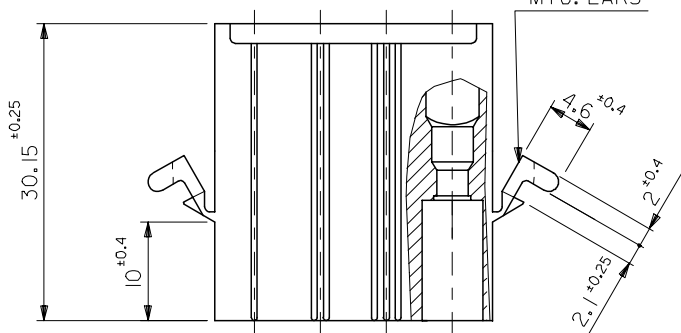
[1189](#) Crimp Terminals, [1190](#) Crimp Terminals, [1380](#) Male Crimp Terminals, [1381](#) Female Crimp Terminals, [1433](#) Crimp Terminals, [1434](#) Male Crimp Terminals, [2605](#) , [2606](#) , [1973](#) , [2151](#) , [2273](#) , [2870](#) , [2871](#) , [4272](#) , Lin

10 9 8 7 6 5 4 3 2 1



サーキット番号  
CIRCUIT NO.

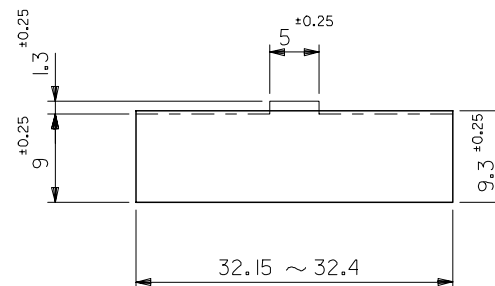
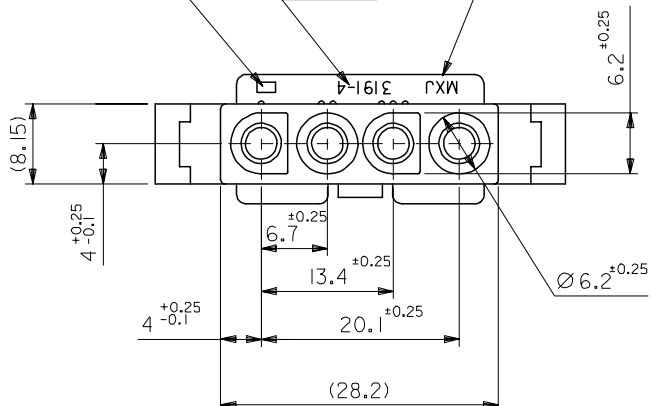
パネル取付耳  
MTG. EARS



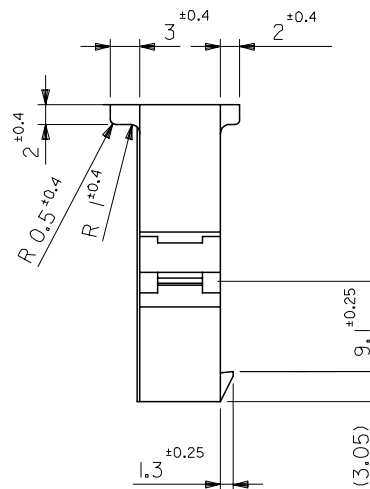
キャビティー番号  
CAVITY NO.

トレードマーク  
TRADE MARK

製品番号  
ENG. NO.



パネル取付穴推奨寸法 (厚さ2.0最大)  
ハウジングの装着はパネル穴打抜き方向より行うこと  
RECOMMENDED PANEL HOLE DIMENSION (THK. 2.0 MAX.)  
ATTACH THE HOUSING FROM THE DIRECTION OF  
PANEL HOLE PUNCHED OUT.



注記  
NOTE  
( ) 内寸法は参考値  
DIMENSIONS IN ( ) ARE REFERENCE

39-03-6041	3191-04P-201	NYLON66	94V-0
39-03-6040	3191-04P	NYLON66	94V-2
EDP. NO.	ENG. NO.	MATERIAL	UL

REVISED EC NO: J2007-2489 DRWRT: SUOKA 2007/03/06 CHKD: THARUYAMA 2007/03/06 APPR: NUKITA 2007/03/06	GENERAL TOLERANCES (UNLESS SPECIFIED)		DIMENSION STYLE MM ONLY		SCALE 2:1	DESIGN UNITS METRIC	THIRD ANGLE PROJECTION	
	10 UNDER	± ---	DRAWN BY H. IJIMA	DATE '96/06/24	TITLE 4 CKT. PLUG HS'G. (.093 DIA. TERMINAL)			
	10 OVER 30 UNDER	± ---	CHECKED BY M. FUKUSHIMA	DATE '96/06/24				
	30 OVER	± ---	APPROVED BY M. ENOMOTO	DATE '96/06/24	MOLEX INCORPORATED			
ANGULAR	± --- °	MATERIAL NO.	DOCUMENT NO. SD-3191-005	SHEET NO. 1 OF 1				
DRAFT WHERE APPLICABLE MUST REMAIN WITHIN DIMENSIONS		SEE CHART		THIS DRAWING CONTAINS INFORMATION THAT IS PROPRIETARY TO MOLEX INCORPORATED AND SHOULD NOT BE USED WITHOUT WRITTEN PERMISSION				