

**PLEASE CHECK WWW.MOLEX.COM FOR LATEST PART INFORMATION**

**Part Number:** [0039036042](#)  
**Status:** **Active**  
**Overview:** [standard\\_093](#)  
**Description:** 2.36mm (.093") Diameter Standard .093" Pin and Socket Plug Housing With Positive Latch, UL 94V-2, 4 Circuits

**Documents:**

[3D Model](#) [Product Specification PS-3191-005 \(PDF\)](#)  
[Drawing \(PDF\)](#) [RoHS Certificate of Compliance \(PDF\)](#)  
[Product Specification PS-3191-001 \(PDF\)](#)

**Agency Certification**

|     |           |
|-----|-----------|
| CSA | LR19980   |
| TUV | R72081037 |
| UL  | E29179    |

**General**

|                |                              |
|----------------|------------------------------|
| Product Family | Crimp Housings               |
| Series         | <a href="#">3191</a>         |
| Comments       | Polarized to Mating Part     |
| Overview       | <a href="#">standard_093</a> |
| Product Name   | Standard .093"               |

**Physical**

|                               |                 |
|-------------------------------|-----------------|
| Breakaway                     | No              |
| Circuits (maximum)            | 4               |
| Circuits Detail               | 2x2             |
| Color - Resin                 | Natural         |
| Flammability                  | 94V-2           |
| Gender                        | Dual            |
| Glow-Wire Compliant           | No              |
| Keying to Mating Part         | None            |
| Lock to Mating Part           | Yes             |
| Material - Resin              | Nylon           |
| Number of Rows                | 1               |
| Packaging Type                | Bag             |
| Panel Mount                   | No              |
| Pitch - Mating Interface (in) | 0.264 In        |
| Pitch - Mating Interface (mm) | 6.71 mm         |
| Polarized to Mating Part      | Yes             |
| Stackable                     | No              |
| Temperature Range - Operating | -40°C to +105°C |

**Electrical**

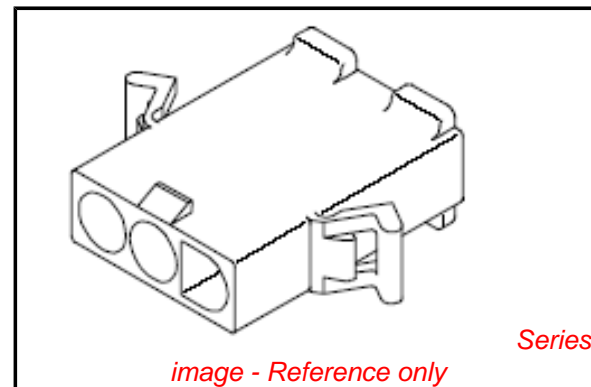
|                               |    |
|-------------------------------|----|
| Current - Maximum per Contact | 9A |
|-------------------------------|----|

**Material Info**

|                 |           |
|-----------------|-----------|
| Old Part Number | 3191-04P1 |
|-----------------|-----------|

**Reference - Drawing Numbers**

|                         |  |
|-------------------------|--|
| Packaging Specification | SPK-3191-001                           |
| Product Specification   | PS-3191-001, PS-3191-005, RPS-3191-001 |
| Sales Drawing           | SD-3191-04P1-*                         |



**EU RoHS**

**ELV and RoHS Compliant**  
**REACH SVHC Contains SVHC: No**  
**Halogen-Free**  
**Status Not Reviewed**

**China RoHS**



**Need more information on product environmental compliance?**

Email [productcompliance@molex.com](mailto:productcompliance@molex.com)  
 For a multiple part number RoHS Certificate of Compliance, [click here](#)

Please visit the [Contact Us](#) section for any non-product compliance questions.

**Search Parts in this Series**

[3191Series](#)

**Mates With**

[3191](#) Pin and Socket Rectacle, [5219](#) Vertical PCB Header

**Use With**

[1189](#) Crimp Terminals, [1190](#) Crimp Terminals, [1380](#) Male Crimp Terminals, [1381](#) Female Crimp Terminals, [1433](#) Crimp Terminals, [1434](#) Male Crimp Terminals, [2605](#) , [2606](#) , [1973](#) , [2151](#) , [2273](#) , [2870](#) , [2871](#) , [4272](#) , Lin

**PLEASE CHECK [WWW.MOLEX.COM](http://WWW.MOLEX.COM) FOR LATEST PART INFORMATION**

DWG. NO.  
SD-3191-04P1-\*

E

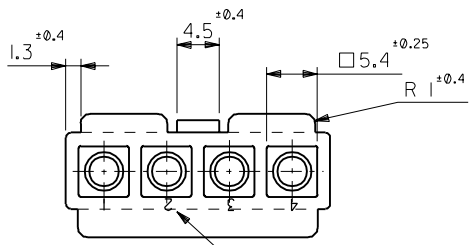
D

C

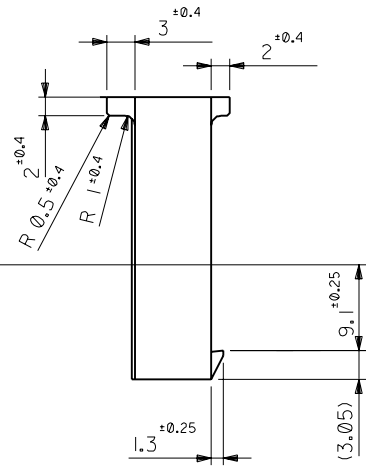
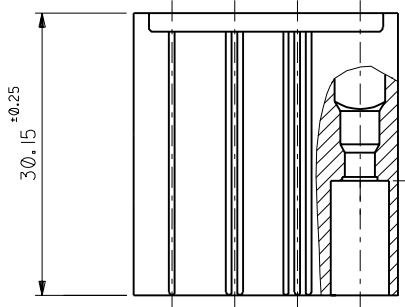
B

A

MM DIMENSIONS IN METRIC DO NOT SCALE DRAWING

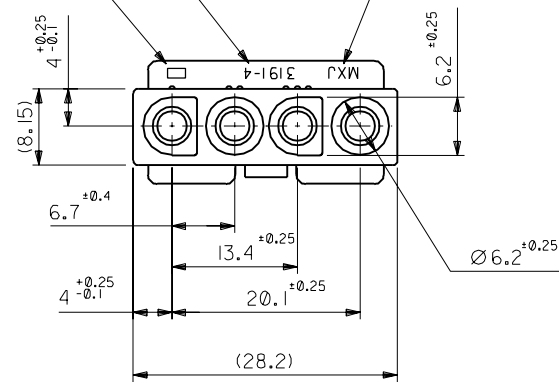


サーキット番号  
CIRCUIT NO.



注記  
NOTE  
( ) 内寸法は参考値  
DIMENSIONS IN ( ) ARE REFERENCE

キャビティー番号  
CAVITY NO.  
製品番号  
ENG. NO.  
トレードマーク  
TRADE MARK



|            |               |          |       |
|------------|---------------|----------|-------|
| 39-03-6043 | 3191-04P1-201 | NYLON66  | 94V-0 |
| 39-03-6042 | 3191-04P1     | NYLON66  | 94V-2 |
| EDP. NO.   | ENG. NO.      | MATERIAL | UL    |

|                              |  |               |  |                         |  |                     |  |                                 |  |                                   |  |
|------------------------------|--|---------------|--|-------------------------|--|---------------------|--|---------------------------------|--|-----------------------------------|--|
| 材料 表参照<br>MATERIAL SEE CHART |  | 仕上げ<br>FINISH |  | 適用電線範囲<br>WIRE RANGE    |  | 被覆外径<br>INS. RANGE  |  | DRAWN BY '96/06/26<br>H.IIJJIMA |  | CHK'D BY '96/06/26<br>M.FUKUSHIMA |  |
| 角 度 ANGLE                    |  | 30°以上 OVER    |  | 30°未満 UNDER             |  | 10°未満 UNDER         |  | H 再作図<br>REDRAWN                |  | DR. 日付<br>CHK. DATE               |  |
| 一般公差<br>GENERAL TOLERANCES   |  | 記号<br>LTR     |  | 変更内容<br>REVISION RECORD |  | DR. 日付<br>CHK. DATE |  | APP'D BY '96/06/26<br>M.ENOMOTO |  | 尺 度<br>SCALE 2 : 1                |  |

|   |     |
|---|-----|
| MOLEX-JAPAN CO.,LTD.<br>日本モレックス株式会社       |     |
| REVISE ONLY ON CAD SYSTEM                 |     |
| TITLE 名称                                  |     |
| 4 CKT. PLUG HS'G.<br>(.093 DIA. TERMINAL) |     |
| DWG. NO.                                  | REV |
| SD-3191-04P1-*                            | H   |

THIS DRAWING CONTAINS INFORMATION THAT IS PROPRIETARY TO MOLEX(JAPAN) AND SHOULD NOT BE USED WITHOUT WRITTEN PERMISSION  
本図面は日本モレックス(株)の所有する情報を含むもので 当社の許可なく複製を禁止する。 EN-01C(032)MXJ-32

8

7

6

5

4

3

2

1

3191J31