

PLEASE CHECK WWW.MOLEX.COM FOR LATEST PART INFORMATION

Part Number: [0587190010](#)
Status: **Active**
Description: HMC™ Rectangular Industrial Panel-Mount Bracket, Multi-Module Type, 48-72 Circuits, Type A Polarization

Documents:

3D Model	Product Specification PS-58719-006 (PDF)
Drawing (PDF)	RoHS Certificate of Compliance (PDF)
Product Specification PS-58719-005 (PDF)	

Agency Certification

TUV R72081037

General

Product Family	I/O Connectors
Series	58719
Application	Panel-Mount
Component Type	Panel-Mount Bracket
Product Name	HMC™
Type	N/A

Physical

Boot Color	N/A
Circuits (Loaded)	N/A
Circuits (maximum)	48
Durability (mating cycles max)	50
Gender	Receptacle
Lock to Mating Part	Yes
Material - Plating Mating	n/a
Number of Rows	2
Orientation	Vertical
PCB Locator	No
Packaging Type	Bag
Panel Mount	Screws
Pitch - Mating Interface (in)	0.000 In
Pitch - Mating Interface (mm)	0.00 mm
Polarized to Mating Part	Yes
Ports	1
Surface Mount Compatible (SMC)	N/A
Temperature Range - Operating	-55°C to +125°C
Termination Interface: Style	N/A
Waterproof / Dustproof	Yes
Waterproof / Dustproof Type	IP65

Electrical

Current - Maximum per Contact	20A
Shield Type	Full Shield
Shielded	Yes
Voltage - Maximum	300V DC

Material Info

Reference - Drawing Numbers

Product Specification	PS-58719-005, PS-58719-006, RPS-58719-003, RPS-58719-004, RPS-58719-006, RPS-58719-007, RPS-58719-008
Sales Drawing	SD-58719-002

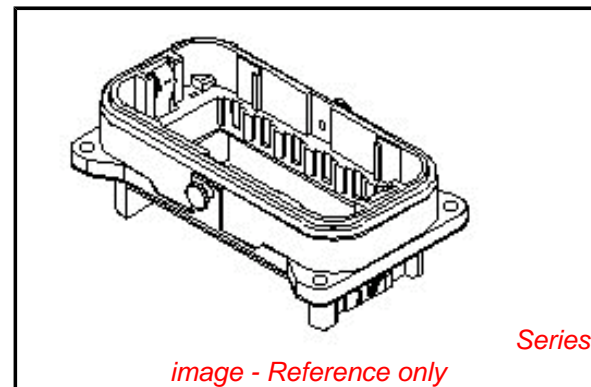


image - Reference only

EU RoHS

RoHS Compliant by Exemption

REACH SVHC

Not Reviewed

Halogen-Free

Status

Not Reviewed

China RoHS



Pb

Need more information on product environmental compliance?

Email productcompliance@molex.com
 For a multiple part number RoHS Certificate of Compliance, [click here](#)

Please visit the [Contact Us](#) section for any non-product compliance questions.

Search Parts in this Series

[58719Series](#)

Mates With

[58721-0010](#) hood bracket, [58723](#) hood

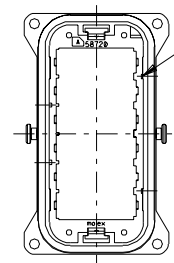
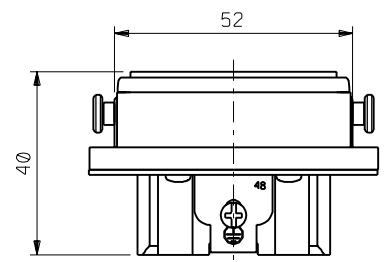
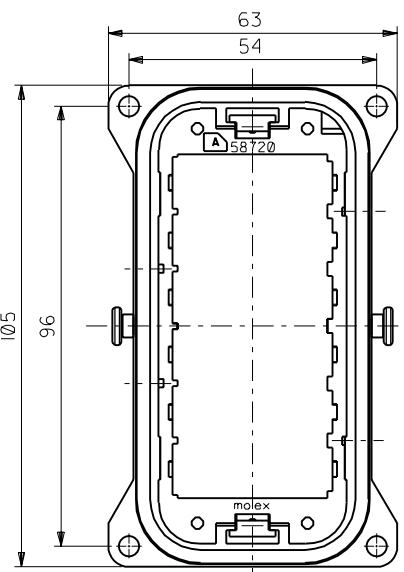
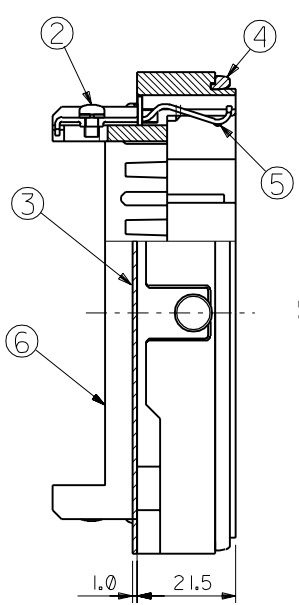
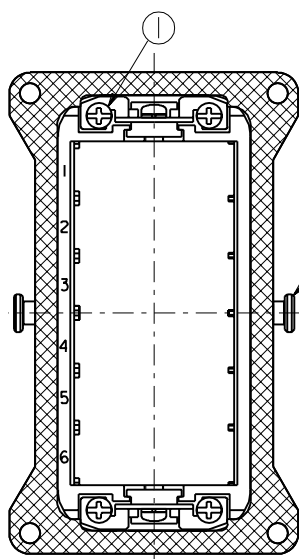
Use With

[51202](#) dust cover, [51194](#) housing, [51195](#) housing, [51203](#) housing, [51204](#) housing

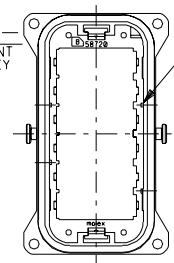
This document was generated on 04/05/2010

PLEASE CHECK WWW.MOLEX.COM FOR LATEST PART INFORMATION

DWG. NO. SD-58719-002



誤嵌合防止キー
MIS-ENGAGEMENT PREVENTION KEY



誤嵌合防止キー
MIS-ENGAGEMENT PREVENTION KEY

TYPE A
58719-0010

TYPE B
58719-0020

部番 NO.	部品名 PART NAME	数量 QTY.	材質 MATERIAL	記事 ARTICLE
①	M2.5x6バネ座金付ねじ M2.5x6 SCREW	4	黄銅 BRASS	Niメッキ NI PLATING
②	M3x5バネ座金付ねじ M3x5 SCREW	2	鋼 STEEL	Niメッキ NI PLATING
③	ガスケット GASKET	1	ニトリルゴム NBR	—
④	ラバー RUBBER	1	ニトリルゴム NBR	—
⑤	グランドターミナル GROUND TERMINAL	2	黄銅 BRASS	Niメッキ NI PLATING
⑥	リセプタクルシエル RECEPTACLE SHELL	1	アルミニウム合金 ALUMINIUM ALLOY	—
⑦	ロックピン LOCKING PIN	2	ステンレス STAINLESS STEEL	—

注記:
NOTES:

1. 適用ハウジングとターミナル
APPLICATION HOUSING AND TERMINAL

	適用ハウジング APPLICATION HOUSING	ターミナル TERMINAL
ピンハウジング PIN HOUSING	51194-0800	50638-9*49 Au PLATING
		59320-9*90 Au PLATING
ソケットハウジング SOCKET HOUSING	51195-0800	50637-0*49 Au PLATING
		59319-0*90 Au PLATING
ピンハウジング PIN HOUSING	51203-1200	5558-CS** Au PLATING
ソケットハウジング SOCKET HOUSING	51204-1200	5556GS** Au PLATING

- M3ねじ推奨締め付トルク: 5~6kgf.cm
M3 SCREW RECOMMENDATION TIGHTENING TORQUE.
- パネル切取寸法は DWG NO. SD-58723-003 による。
THE PANEL CUTOUT SIZE IS SHOWN IN SD-58723-003.

B	58719-0020	58719-00*0
A	58719-0010	
TYPE	MATERIAL NO.	MODEL NO.

DO NOT SCALE DRAWING

EC NO. DRWN: CHK: APPR:	REVISED EC NO. JD91218 '99/02/08 DRWN: S.AKIYAMA CHK: Y.IITO APPR: H.IKESUGI	REVISED EC NO. JD90894 '98/12/23 DRWN: Y.TETSUKA CHK: S.AKIYAMA/Y.IITO APPR: H.IKESUGI	RELEASED EC NO. JD90402 '98/09/21 DRWN: S.AKIYAMA CHK: Y.IITO APPR: H.IKESUGI	MATERIAL 材料	GENERAL TOLERANCES: (UNLESS SPECIFIED) 一般公差	SCALE 1-1	DESIGN UNITS <input checked="" type="checkbox"/> mm <input type="checkbox"/> INCH	DIMENSIONS: <input type="checkbox"/> mm <input type="checkbox"/> INCH <input checked="" type="checkbox"/> mm ONLY		SHT REV
FINISH 仕上げ	WIRE RANGE 適用線径範囲	INS. RANGE 被覆外径	ANGLE 角度	10 UNDER 未満	±0.2	DRAWN BY & DATE S. Akiyama '98/09/14		TITLE: POWER CONN 48P RECEPTACLE SHELL ASS'Y		
				10 OVER 以上	±0.25	CHECKED BY & DATE Y.IITO '98/09/21		APPROVED BY & DATE Y.IITO '98/09/21		
				30 OVER 以上	±0.3	MATERIAL NO. SEE CHART		DRAWING NO. SD-58719-002		SHEET NO. 1 OF 1
					±3°	CAD FILE NAME 587191002.S01		MATERIAL NO. SEE CHART		SHEET NO. 1 OF 1
						THIS DRAWING CONTAINS INFORMATION THAT IS PROPRIETARY TO MOLEX INCORPORATED AND SHOULD NOT BE USED WITHOUT WRITTEN PERMISSION.				SIZE B