

PLEASE CHECK WWW.MOLEX.COM FOR LATEST PART INFORMATION

Part Number: [0878063002](#)
Status: **Active**
Overview: [extreme_powerplus_ssi](#)
Description: 5.08mm (.200") Pitch, Power, 2.54mm (.100") Pitch, Signal, EXTreme PowerPlus™ P-S-P Receptacle, Right Angle, Through Hole, Screw Mount, Power Beta 2, Signal 16, Power Alpha 2, 20 Circuits, Lead-free

Documents:

[3D Model](#) [Product Specification PS-87805-006 \(PDF\)](#)
[Drawing \(PDF\)](#) [RoHS Certificate of Compliance \(PDF\)](#)

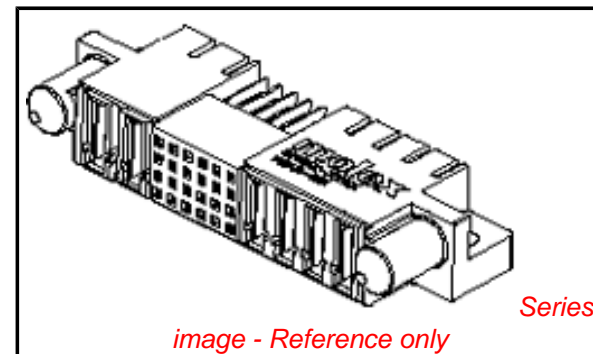


image - Reference only

Agency Certification

CSA LR19980

General

Product Family PCB Receptacles
 Series [87806](#)
 Application Board-to-Board
 Comments No Recessed Power Circuit
 Overview [extreme_powerplus_ssi](#)
 Product Name EXTreme PowerPlus™

Physical

Circuits (Loaded) 20
 Circuits (maximum) 20
 Circuits Detail Power Alpha 2, Signal 16, Power Beta 2
 Color - Resin Black
 Durability (mating cycles max) 100
 Flammability 94V-0
 Glow-Wire Compliant No
 Guide to Mating Part Yes
 Material - Metal Copper Alloy
 Material - Plating Mating Gold
 Material - Plating Termination Tin
 Material - Resin High Temperature Thermoplastic
 Number of Rows 4
 Orientation Right Angle
 PC Tail Length (in) 0.135 In
 PC Tail Length (mm) 3.43 mm
 PCB Locator No
 PCB Retention Yes
 Packaging Type Tray
 Pitch - Mating Interface (in) 0.100 In, 0.125 In, 0.200 In
 Pitch - Mating Interface (mm) 2.54 mm, 3.18 mm, 5.08 mm
 Pitch - Term. Interface (in) 0.100 In, 0.125 In, 0.200 In
 Pitch - Term. Interface (mm) 2.54 mm, 3.18 mm, 5.08 mm
 Plating min: Mating (µin) 30
 Plating min: Mating (µm) 0.76
 Plating min: Termination (µin) 100
 Plating min: Termination (µm) 2.54
 Polarized to Mating Part Yes
 Polarized to PCB Yes
 Stackable No
 Temperature Range - Operating -20°C to +105°C
 Termination Interface: Style Through Hole

EU RoHS

ELV and RoHS Compliant
REACH SVHC
 Not Reviewed
Halogen-Free Status
Not Reviewed

China RoHS



Need more information on product environmental compliance?

Email productcompliance@molex.com
 For a multiple part number RoHS Certificate of Compliance, [click here](#)

Please visit the [Contact Us](#) section for any non-product compliance questions.

Search Parts in this Series
[87806Series](#)

Electrical

Current - Maximum per Contact 2.5A, 30A
Voltage - Maximum 250V (RMS)

Solder Process Data

Duration at Max. Process Temperature (seconds) 10
Lead-free Process Capability SMC & Wave Capable (TH only)
Max. Cycles at Max. Process Temperature 3
Process Temperature max. C 260

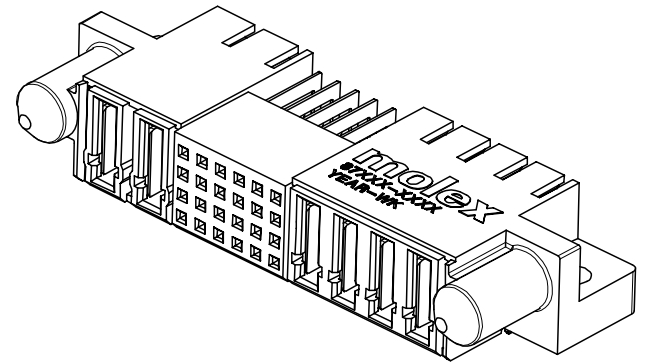
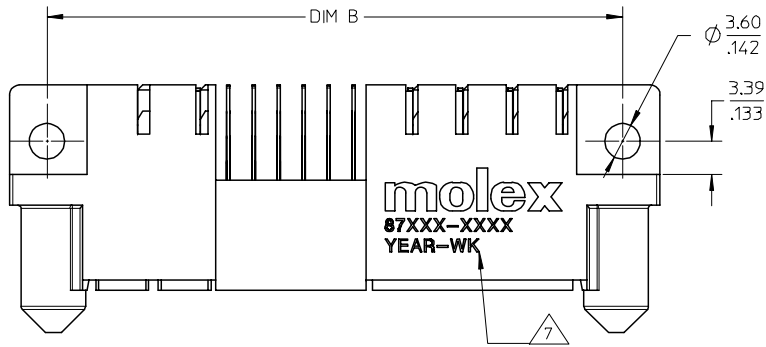
Material Info**Reference - Drawing Numbers**

Application Specification AS-87631-018
Product Specification PS-87805-006
Sales Drawing SD-87806-128

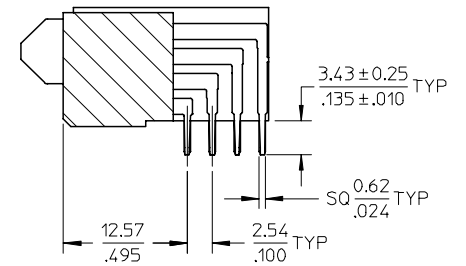
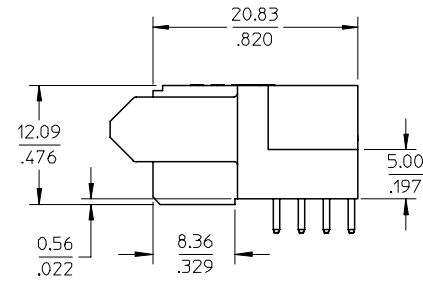
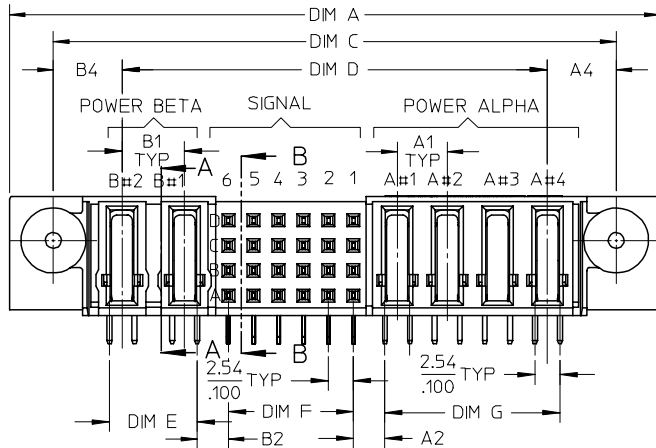
This document was generated on 05/22/2010

PLEASE CHECK WWW.MOLEX.COM FOR LATEST PART INFORMATION

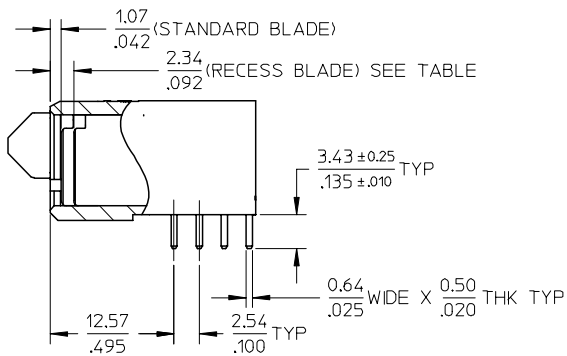
10 9 8 7 6 5 4 3 2 1



ISOMETRIC VIEW



SECTION B-B



SECTION A-A

PDR No: S-001089-00-00	EC No: S2006-0447	2005/11/07
DRWN: YLQ1A0	2005/11/07	
CHKD: VITPALLI	2005/11/07	
APPR: PTLIM	2005/11/07	
A		

QUALITY SYMBOLS	▽=0
	∇=0

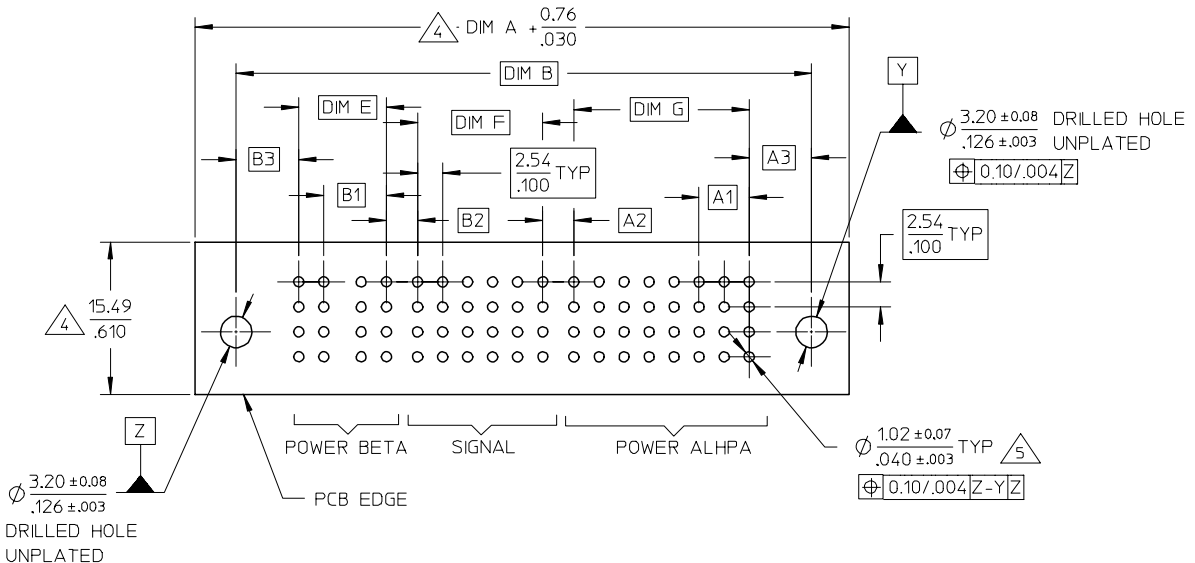
GENERAL TOLERANCES (UNLESS SPECIFIED)	MM	INCH
4 PLACES	± ---	± ---
3 PLACES	± ---	± .005
2 PLACES	± 0.13	± .010
1 PLACE	± 0.25	± ---
ANGULAR ± 3 °		
DRAFT WHERE APPLICABLE MUST REMAIN WITHIN DIMENSIONS		

DIMENSION STYLE		MM/IN
DRAWN BY	DATE	TITLE
YLQ1A0	2005/10/13	POWER CONN. RECEPTACLE P(B)-S-P(A) CONFIG. R/A, T/H, SCREW MOUNT
CHECKED BY	DATE	
VITPALLI	2005/11/07	
APPROVED BY	DATE	
PTLIM	2005/11/07	
MATERIAL NO.		DOCUMENT NO.
SEE TABLE		SD-87806-128
SIZE	THIS DRAWING CONTAINS INFORMATION THAT IS PROPRIETARY TO MOLEX INCORPORATED AND SHOULD NOT BE USED WITHOUT WRITTEN PERMISSION	
A3		

SCALE	DESIGN UNITS	THIRD ANGLE PROJECTION
NTS	METRIC	
MOLEX INCORPORATED		
SHEET NO.		1 OF 2

9 8 7 6 5 4 3 2 1

	10	9			8			7			6			5				4				3				2		1	
	ASSEMBLY PART NUMBER	P-S-P CONFIGURATION			DIM A	DIM B	DIM C	DIM D	DIM E	DIM F	DIM G	RECESSED POWER LOCATION	POWER ALPHA				POWER BETA				PACKAGING	PLATING OPTION							
		POWER BETA	SIGNAL	POWER ALPHA									A1	A2	A3	A4	B1	B2	B3	B4									
F	87806-3002	2	16	2	49.53 1.950	41.91 1.650	40.64 1.600	26.68 1.050	7.62 .300	7.62 .300	7.62 .300	NIL	5.08	3.18	6.35	6.98	5.08	3.18	6.35	6.98	TRAY	TIN							



- NOTES
- MATERIALS :-
HOUSING - LCP, GLASS FILLED, UL94V-0, COLOR : BLACK.
SIGNAL TERMINAL - COPPER ALLOY
POWER TERMINAL - COPPER ALLOY
 - FINISH :-
SIGNAL & POWER CONTACTS
0.76um MIN. GOLD (Au) AT CONTACT AREA AND 2.54um MIN. TIN
AT SOLDER TAIL AREA OVER 1.27um MIN. NICKEL (Ni) UNDERPLATE.
 - PRODUCT SPECIFICATION : PS-87805-006
 - COMPONENT STAY AWAY ZONE FROM CONNECTOR.
 - PCB NOTE FOR DIAMETER 1.02/.040 PLATED HOLE
- DRILLED HOLE SIZE IS 1.151/.0453
- PLATE WITH 0.007/.0003 MINIMUM TIN OVER 0.03/.001
TO 0.08/.003 COPPER PLATING TO ACHIEVE 1.02±0.08/.040±.003 HOLE.
 - ALL TERMINAL TIPS ARE DESIGNED WITH EXPOSE BASE COPPER.
THIS IS CREATED BY FINAL CUTTING PROCESS.
 - MANUFACTURER LOGO, PART NUMBER AND YEAR-WEEK CODE.
 - 2 POWER BETA-24 SIGNAL-4 POWER ALPHA IS SHOWN FOR ILLUSTRATION.
POWER-SIGNAL-POWER CONFIGURATION IS AVAILABLE UP TO 203MM/8INCH.
PLEASE CONTACT MOLEX SALES PERSONNEL FOR OTHER CONFIGURATION
AND OPTION NEEDED.

PDR No: S-001089-00-00 EC NO: S2006-0447 DRWN: YLQ1A0 2005/11/07 CHKD: VITAPALLI 2005/11/07 APPR: PTLIM 2005/11/07	QUALITY SYMBOLS ▽=0 △=0	GENERAL TOLERANCES (UNLESS SPECIFIED)		DIMENSION STYLE MM/IN		SCALE NTS	DESIGN UNITS METRIC	THIRD ANGLE PROJECTION	
		4 PLACES ± --- ± ---	3 PLACES ± --- ± .005	2 PLACES ± 0.13 ± .010	1 PLACE ± 0.25 ± ---	ANGULAR ± 3 °	DRAWN BY YLQ1A0	DATE 2005/11/13	TITLE POWER CONN. RECEPTACLE P(B)-S-P(A) CONFIG. R/A, T/H, SCREW MOUNT
A	REV	DRAFT WHERE APPLICABLE MUST REMAIN WITHIN DIMENSIONS		MATERIAL NO. SEE TABLE		DOCUMENT NO. SD-87806-128		SHEET NO. 2 OF 2	
		THIS DRAWING CONTAINS INFORMATION THAT IS PROPRIETARY TO MOLEX INCORPORATED AND SHOULD NOT BE USED WITHOUT WRITTEN PERMISSION							