

**PLEASE CHECK WWW.MOLEX.COM FOR LATEST PART INFORMATION**

**Part Number:** [0192210493](#)  
**Status:** **Active**  
**Description:** Compression Style Ring Tongue Terminal for 6 AWG Wire, Stud Size 5/16", Un-Plated

**Documents:**

[Drawing \(PDF\)](#) [RoHS Certificate of Compliance \(PDF\)](#)

**Agency Certification**

CSA LR18689  
 UL E32244

**General**

Product Family Ring and Spade Terminals  
 Series [19221](#)  
 Comments Heavy Duty  
 Crimp Quality Equipment Yes  
 Mil-Spec N/A  
 Product Name Battery Cable Lug  
 Type Ring

**Physical**

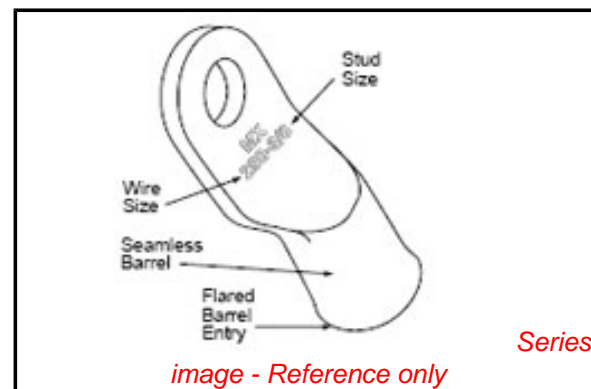
Barrel Type Closed  
 Insulation None  
 Material - Plating Mating Tin  
 Packaging Type Bag  
 Stud Size 5/16" (M8)  
 Termination Interface: Style Crimp or Compression  
 Wire Insulation Diameter N/A  
 Wire Size AWG 6  
 Wire Size mm<sup>2</sup> 10.5 - 16.8

**Material Info**

Old Part Number BCL-6516

**Reference - Drawing Numbers**

Sales Drawing SD-19221-001



*image - Reference only*

**EU RoHS**

**ELV and RoHS Compliant**

**REACH SVHC**

Not Reviewed

**Halogen-Free**

**Status**

**Not Reviewed**

**China RoHS**



**Need more information on product environmental compliance?**

Email [productcompliance@molex.com](mailto:productcompliance@molex.com)  
 For a multiple part number RoHS Certificate of Compliance, [click here](#)

Please visit the [Contact Us](#) section for any non-product compliance questions.

**Search Parts in this Series**

[19221Series](#)

**Application Tooling | [FAQ](#)**

*Tooling specifications and manuals are found by selecting the products below. Crimp Height Specifications are then contained in the Application Tooling Specification document.*

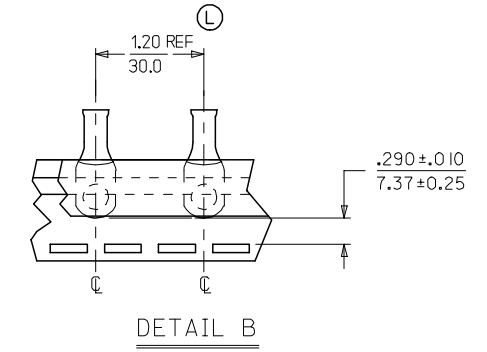
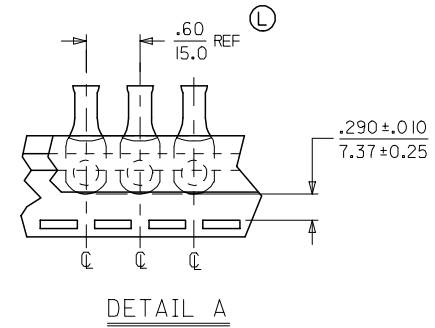
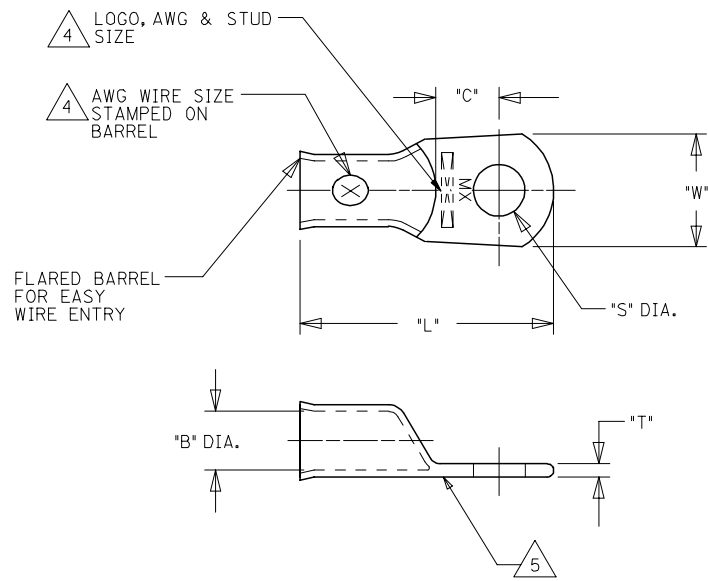
**Global**

Description	Product #
Putt Pump Dieless Head System	<a href="#">0192860065</a>
Manual tool for Crimping non-insulated 8AWG thru 4/0 Terminals	<a href="#">0192940008</a>
Manual Putt Pump Hydraulic System, Die set required	<a href="#">0192860117</a>
Die Set (large) for the HHLS Hydraulic Crimper	<a href="#">0192900004</a>

This document was generated on 04/12/2010

**PLEASE CHECK [WWW.MOLEX.COM](http://WWW.MOLEX.COM) FOR LATEST PART INFORMATION**

	13	12	11	10	9	8	7	6	5	4	3	2	1				
	UNPLATED MATERIAL NUMBER	UNPLATED ENG. NUMBER	UNPLATED MAT. NO. ON TAPE	UNPLATED ENG. NO. ON TAPE	PLATED MATERIAL NUMBER	PLATED ENGINEERING NUMBER	PLATED MAT. NO. ON TAPE	PLATED ENG. NO. ON TAPE	SEE DETAIL	STUD SIZE	AWG WIRE RANGE	"S"	"L"	"W"	"C"	"B"	"T"
J	192210408	BCL-810	190820012	BCL-810T	192210223	BCL-810-PL	190820011	BCL-810-PLT	A	10/(4.8)	8	.214/(5.45)	1.187/(30.15)	.438/(11.13)	.376/(9.55)	.185/(4.70)	.070/(1.78)
	192210409	BCL-814	190820014	BCL-814T	192210224	BCL-814-PL	190820013	BCL-814-PLT	A	1/4/(6.4)	8	.278/(7.06)	1.187/(30.15)	.438/(11.13)	.376/(9.55)	.185/(4.70)	.070/(1.78)
	192210562	BCL-814-WP	---	---	192210563	BCL-814-WP-PL	---	---	---	1/4/(6.4)	8	.278/(7.06)	1.313/(33.35)	.594/(15.09)	.376/(9.55)	.185/(4.70)	.070/(1.78)
	192210411	BCL-8516	190820017	BCL-8516T	192210225	BCL-8516-PL	---	---	A	5/16/(7.9)	8	.340/(8.63)	1.187/(30.15)	.438/(11.13)	.376/(9.55)	.185/(4.70)	.070/(1.78)
	192210482	BCL-8516-WP	---	---	192210483	BCL-8516-WP-PL	190820016	BCL-8516-PLT	A	5/16/(7.9)	8	.340/(8.63)	1.313/(33.35)	.594/(15.09)	.422/(10.72)	.185/(4.70)	.070/(1.78)
	192210410	BCL-838-WP	190820015	BCL-838-WPT	192210226	BCL-838-WP-PL	192210566	BCL-838-WP-PLT	A	3/8/(9.5)	8	.400/(10.16)	1.313/(33.35)	.594/(15.09)	.422/(10.72)	.185/(4.70)	.070/(1.78)
I	192210481	BCL-838-XWP	---	---	192210484	BCL-838-XWP-PL	---	---	---	3/8/(9.5)	8	.400/(10.16)	1.469/(37.31)	.766/(19.46)	.394/(10.01)	.185/(4.70)	.070/(1.78)
	192210415	BCL-812-XWP	---	---	192210414	BCL-812-XWP-PL	---	---	---	1/2/(14.7)	8	.520/(13.21)	1.469/(37.31)	.766/(19.46)	.394/(10.01)	.185/(4.70)	.070/(1.78)
	192210425	BCL-610	---	---	192210424	BCL-610-PL	190820003	BCL-610-PLT	B	10/(4.8)	6	.214/(5.45)	1.281/(32.54)	.438/(11.13)	.345/(8.75)	.232/(5.89)	.075/(1.90)
	192210406	BCL-614-WP	190820006	BCL-614T	192210227	BCL-614-WP-PL	190820005	BCL-614-PLT	B	1/4/(6.4)	6	.278/(7.06)	1.406/(35.72)	.594/(15.09)	.430/(10.9)	.232/(5.89)	.080/(2.03)
	192210494	BCL-6141	---	---	192210495	BCL-6141-PL	192210498	BCL-6141-PLT	B	1/4/(6.4)	6	.278/(7.06)	1.281/(32.54)	.438/(11.13)	.345/(8.75)	.232/(5.89)	.075/(1.90)
	192210407	BCL-6516-WP	---	---	192210228	BCL-6516-WP-PL	190820009	BCL-6516-PLT	B	5/16/(7.9)	6	.340/(8.63)	1.406/(35.72)	.594/(15.09)	.352/(8.94)	.232/(5.89)	.080/(2.03)
L	192210493	BCL-6516	190820010	BCL-6516T	192210492	BCL-6516-PL	192210499	BCL-6516-PLT	B	5/16/(7.9)	6	.340/(8.63)	1.281/(32.54)	.438/(11.13)	.345/(8.75)	.232/(5.89)	.075/(1.90)
H	192210384	BCL-638-WP	190820008	BCL-638T	192210229	BCL-638-WP-PL	190820007	BCL-638-PLT	B	3/8/(9.5)	6	.400/(10.16)	1.406/(35.72)	.594/(15.09)	.352/(8.94)	.232/(5.89)	.080/(2.03)
	192210569	BCL-638-XWP	---	---	192210568	BCL-638-XWP-PL	---	---	---	3/8/(9.5)	6	.400/(10.16)	1.563/(39.70)	.766/(19.46)	.422/(10.72)	.232/(5.89)	.080/(2.03)
	192210417	BCL-612-XWP	---	---	192210416	BCL-612-XWP-PL	190820004	BCL-612-PLT	B	1/2/(14.7)	6	.520/(13.21)	1.563/(39.70)	.766/(19.46)	.352/(8.94)	.232/(5.89)	.080/(2.03)



SALES DRAWING

- NOTES:
- FOR INSPECTION SIGHT HOLE, PLEASE CONSULT FACTORY.
  - OTHER STUD SIZES MAY BE AVAILABLE, PLEASE CONSULT FACTORY.
  - MATERIAL: COPPER  
PLATING: TIN
  - MARKINGS CAN BE AT EITHER LOCATION SHOWN.
  - IF TONGUE IS TO BE BENT AT ANY ANGLE, IT MUST BE BENT AROUND A RADIUS ONE HALF THE TONGUE THICKNESS.
  - ALL COMPONENTS ARE ROHS COMPLIANT.

REVISED W/ TYPO CORRECTED FC NO: ETC2007-0397 DRAWN BY: DRWANEHLE CHKD: JMAGNELL APPR: JMAGNELL 2007/04/27 2007/05/09 2007/05/10	QUALITY SYMBOLS ▽=0 ▽=0	GENERAL TOLERANCES (UNLESS SPECIFIED)		DIMENSION STYLE IN/MM		SCALE ---	DESIGN UNITS INCH	THIRD ANGLE PROJECTION						
		4 PLACES ± ---	± ---	3 PLACES ± ---	± ---	2 PLACES ± ---	± ---	1 PLACE ± ---	± ---	ANGULAR ± ---°	DRAWN BY: DMYRICK DATE: 2005/5/3	CHECKED BY: RDEROSS DATE: 2005/5/3	APPROVED BY: RDEROSS DATE: 2005/5/3	MATERIAL NO.
DRAFT WHERE APPLICABLE MUST REMAIN WITHIN DIMENSIONS		SEE CHART		THIS DRAWING CONTAINS INFORMATION THAT IS PROPRIETARY TO MOLEX INCORPORATED AND SHOULD NOT BE USED WITHOUT WRITTEN PERMISSION										