

**DC COOLING FAN**

**172x150x38mm**

- Voltage: 12 & 24 VDC
- Bearing options: Ball, Sleeve or Oil Bearing
- Material on housing: Aluminium Alloy Housing
- Airflow: 159 CFM
- Suitable for Racks etc.



**SPECIFICATION**

Part No.	Bearing	Voltage(V)	Current(A)	Power (W)	Speed(RPM)	Air flow(CFM)	Pressure(mmAq)	Noise(dB/A)	Weight(g)
DBF17238x12M	Ball, Sleeve, Oil	12	1.38	16.60	2800	159.3	12.68	53.4	463
DBF17238x24M	Ball, Sleeve, Oil	24	0.76	18.20	2800	159.0	12.65	53.4	463

**Impeller:** Plastic (UL;94V-0)

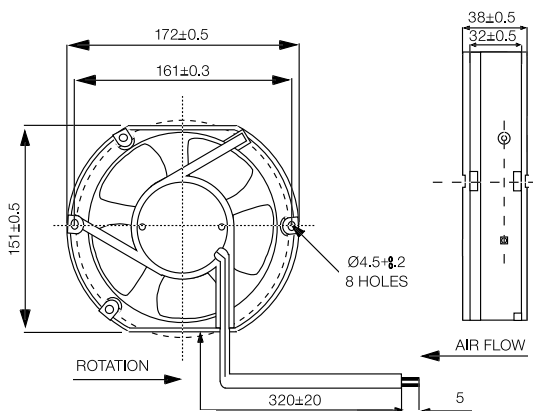
**Lead Wire:** UL1007 AWG24

**Protection:** Current Limit

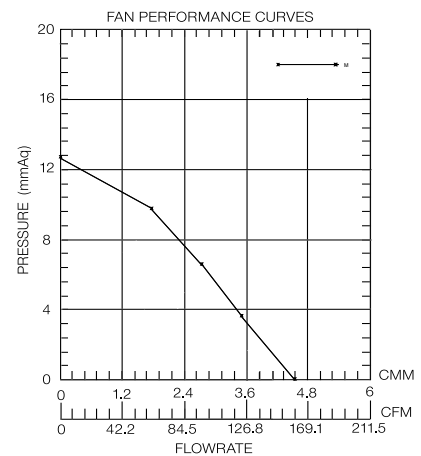
**Operating Temp:** -10° to 70° C

SECTION 12

**EXTERNAL DIMENSIONS**



**PERFORMANCE CURVE**



**ORDERING INFORMATION**

DBF	17238	B	12	M
Dubilier Fans	Size	Bearing	Voltage	Airflow
	172x150x38mm	B=Ball S=Sleeve G=Oil	12=12vdc 24=24vdc	M=Medium