

PLEASE CHECK WWW.MOLEX.COM FOR LATEST PART INFORMATION

Part Number: [0437965024](#)
Status: **Active**
Overview: [flat blade](#)
Description: Flat Blade Appliance Timer Crimp Housing, 24 Circuit, Black Color

Documents:

[3D Model](#) [RoHS Certificate of Compliance \(PDF\)](#)
[Drawing \(PDF\)](#)

Agency Certification

CSA LR19980
 UL E29179

General

Product Family Crimp Housings
 Series [43796](#)
 Overview [flat blade](#)
 Product Name Flat Blade

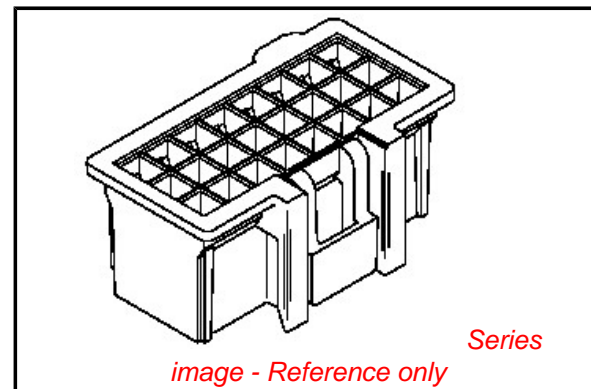
Physical

Circuits (maximum) 24
 Color - Resin Natural
 Flammability 94V-2
 Gender Female
 Glow-Wire Compliant No
 Material - Resin Nylon
 Number of Rows 3
 Packaging Type Bag
 Panel Mount No
 Pitch - Mating Interface (in) 0.220 In
 Pitch - Mating Interface (mm) 5.59 mm
 Stackable No
 Temperature Range - Operating -40°C to +75°C

Material Info

Reference - Drawing Numbers

Sales Drawing SD-43796-001



EU RoHS

**ELV and RoHS
 Compliant**
REACH SVHC
 Not Reviewed
**Halogen-Free
 Status**
Not Reviewed

China RoHS



**Need more information on product
 environmental compliance?**

Email productcompliance@molex.com
 For a multiple part number RoHS Certificate of
 Compliance, [click here](#)

Please visit the [Contact Us](#) section for any
 non-product compliance questions.

Search Parts in this Series

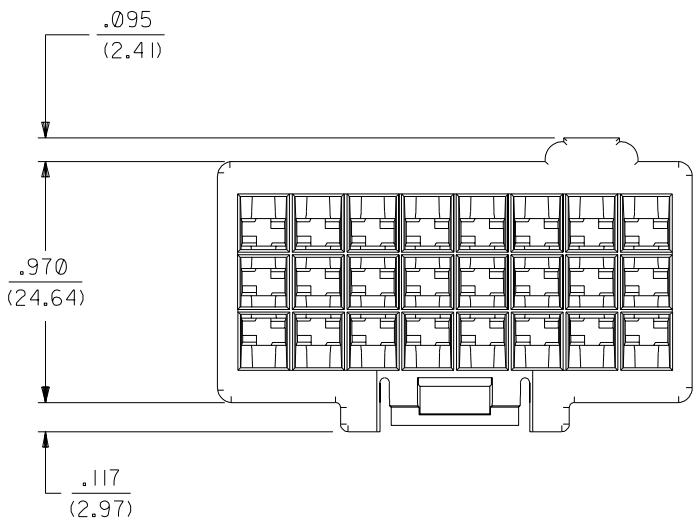
[43796Series](#)

Mates With

[Appliance Timer](#)

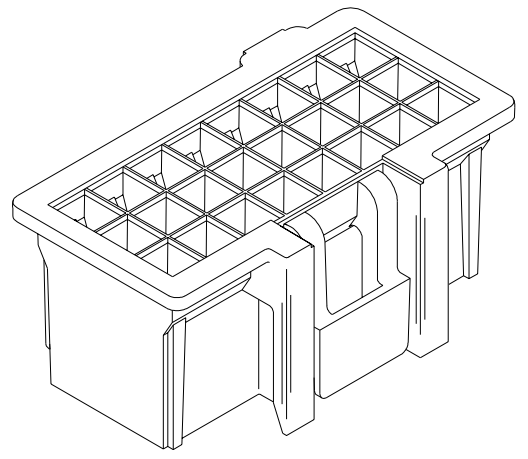
Use With

[43375 Female Terminals](#)

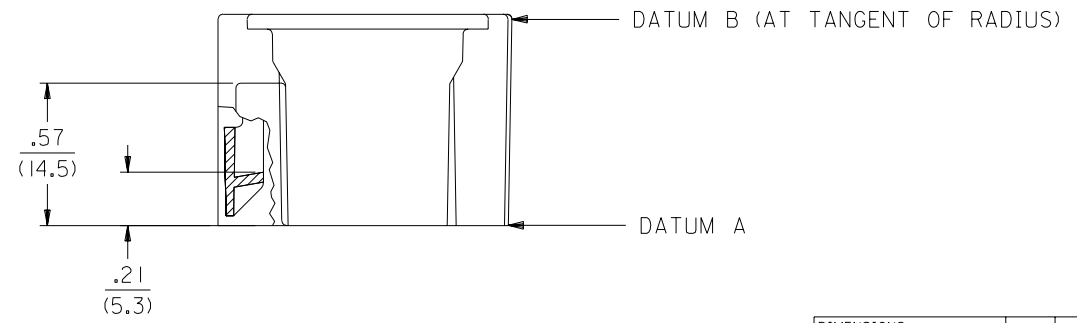
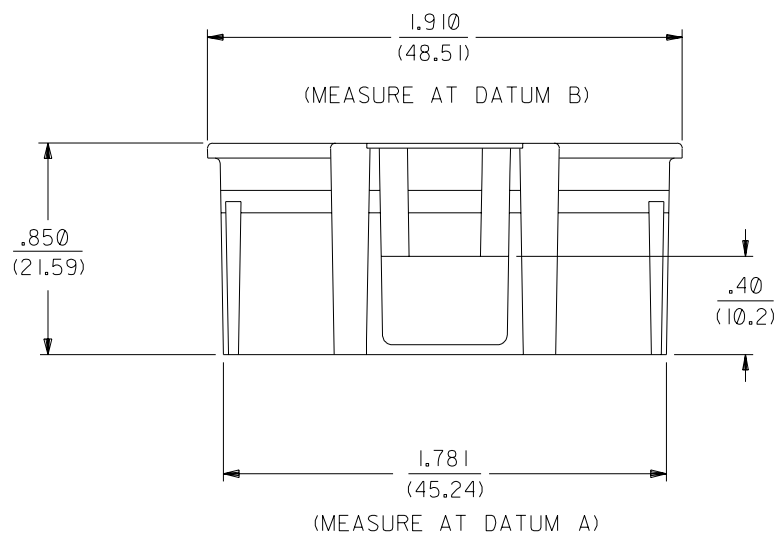


NOTES:

1. MATERIAL: 6/6 NYLON, UL94V-2, COLOR: BLACK
2. FINISH: NOT APPLICABLE
3. PRODUCT SPECIFICATION: PSX-4444I-9999
4. ALL DIMENSIONS ARE FOR REFERENCE ONLY.
5. SEE AS-43796-001 FOR THE DESCRIPTION OF THE MATING INTERFACE.
6. USE TERMINALS: 43375-*



43796-5024



EC NO. UCR2002-0645 DRWN: WIRKUS 03/05/02 CHK: WIRKUS 03/05/02 APPR: FRY 03/05/02	DESCRIPTION MAJOR $\nabla = 0$ CRITICAL $\nabla C = 0$	GENERAL TOLERANCES: (UNLESS SPECIFIED)		SCALE 2 : 1	DESIGN UNITS <input type="checkbox"/> mm <input checked="" type="checkbox"/> INCH	DIMENSIONS: <input type="checkbox"/> mm <input checked="" type="checkbox"/> INCH <input type="checkbox"/> mm ONLY	SHT REV
		4 PLACES $\pm 0.---$ $\pm.---$	DRAWN BY & DATE MARANTO 09/11/96	TITLE: CONNECTOR HOUSING 24 - CIRCUITS TIMER APPLICATION			REVISION ON CAD ONLY
		3 PLACES $\pm 0.---$ $\pm.---$	CHECKED BY & DATE PELOZA 09/11/96	APPROVED BY & DATE FRY 09/11/96			MATERIAL NO. 43796-5024
		2 PLACES $\pm 0.---$ $\pm.---$	ANCDULAR: $\pm 1/2^\circ$	CAD FILENAME	DRAWING NO. SD-43796-001	SHEET NO. 1 OF 1	
1 PLACE $\pm 0.---$ $\pm.---$	DRAFT WHERE APPLICABLE MUST REMAIN WITHIN DIMENSIONS	THIS DRAWING CONTAINS INFORMATION THAT IS PROPRIETARY TO MOLEX INCORPORATED AND SHOULD NOT BE USED WITHOUT WRITTEN PERMISSION.					SIZE B