

**PLEASE CHECK WWW.MOLEX.COM FOR LATEST PART INFORMATION**

**Part Number:** [0022035075](#)  
**Status:** **Active**  
**Description:** 2.50mm (.098") Pitch SPOX™ Wire-to-Board Header, Vertical, Shrouded, 7 Circuits, Tin (Sn) Plating

**Documents:**

[3D Model](#) [Product Specification PS-5264-001 \(PDF\)](#)  
[Drawing \(PDF\)](#) [RoHS Certificate of Compliance \(PDF\)](#)

**Agency Certification**

CSA LR19980  
 UL E29179

**General**

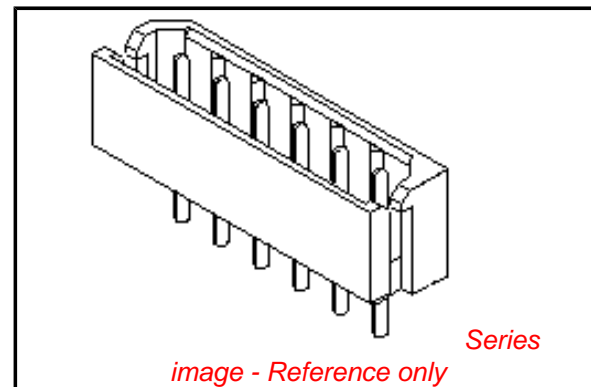
Product Family PCB Headers  
 Series [5267](#)  
 Application Wire-to-Board  
 Product Name SPOX™

**Physical**

Breakaway No  
 Circuits (Loaded) 7  
 Circuits (maximum) 7  
 Color - Resin Natural  
 Durability (mating cycles max) 30  
 Flammability 94V-0  
 Glow-Wire Compliant No  
 Lock to Mating Part Yes  
 Material - Plating Mating Tin  
 Material - Plating Termination Tin  
 Material - Resin Nylon  
 Number of Rows 1  
 Orientation Vertical  
 PC Tail Length (in) 0.138 In  
 PC Tail Length (mm) 3.50 mm  
 PCB Locator No  
 PCB Retention Yes  
 PCB Thickness Recommended (in) 0.062 In  
 PCB Thickness Recommended (mm) 1.60 mm  
 Packaging Type Bag  
 Pitch - Mating Interface (in) 0.098 In  
 Pitch - Mating Interface (mm) 2.50 mm  
 Plating min: Mating (µin) 160  
 Plating min: Mating (µm) 4  
 Plating min: Termination (µin) 160  
 Plating min: Termination (µm) 4  
 Polarized to Mating Part Yes  
 Polarized to PCB No  
 Shrouded Fully  
 Stackable No  
 Surface Mount Compatible (SMC) No  
 Temperature Range - Operating -40°C to +105°C  
 Termination Interface: Style Through Hole

**Electrical**

Current - Maximum per Contact 3A



**EU RoHS**

**ELV and RoHS Compliant**  
**REACH SVHC**  
 Not Reviewed  
**Halogen-Free Status**

**China RoHS**



**Need more information on product environmental compliance?**

Email [productcompliance@molex.com](mailto:productcompliance@molex.com)  
 For a multiple part number RoHS Certificate of Compliance, [click here](#)

Please visit the [Contact Us](#) section for any non-product compliance questions.

**Search Parts in this Series**

[5267Series](#)

**Mates With**

[5264](#) , [42219](#)

Voltage - Maximum

250V

**Material Info**

Old Part Number

5267-07A

**Reference - Drawing Numbers**

Product Specification

PS-5264-001, RPS-5264-005, RPS-5267-001

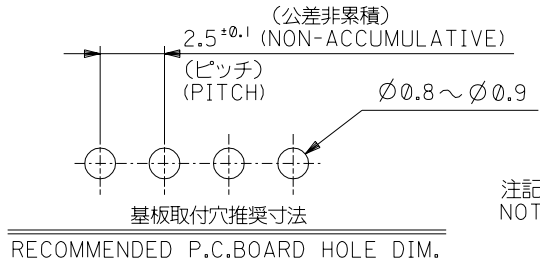
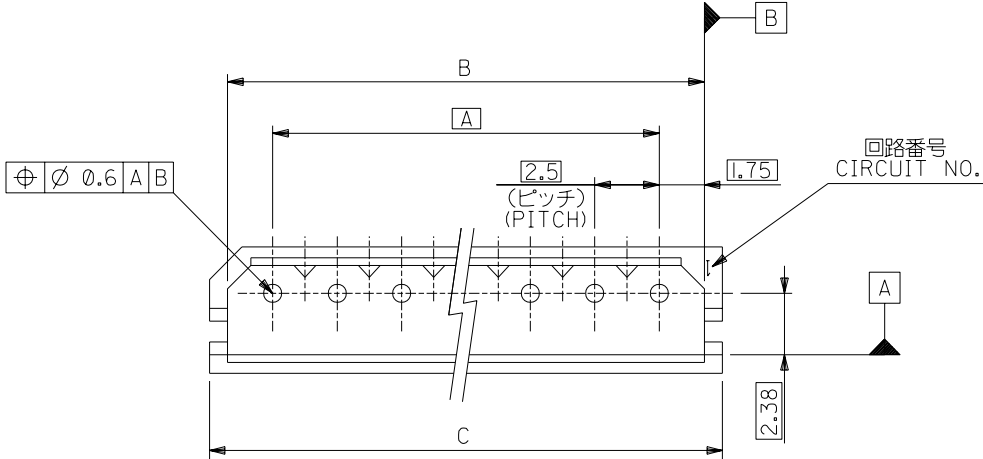
Sales Drawing

SD-5267-NA

This document was generated on 04/15/2010

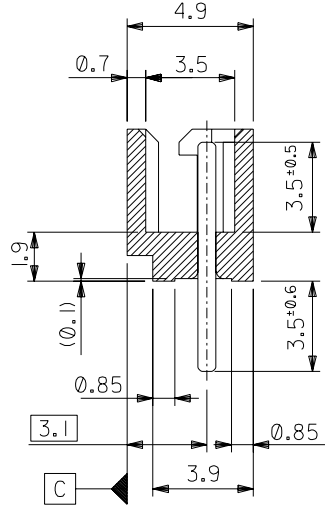
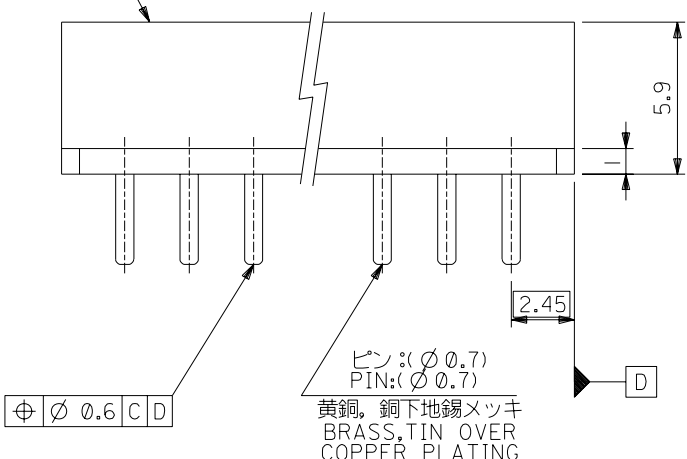
**PLEASE CHECK [WWW.MOLEX.COM](http://WWW.MOLEX.COM) FOR LATEST PART INFORMATION**

DWG. NO. SD-5267-NA



注記 NOTES:  
 1. 嵌合相手: 5264 シリーズ  
 MATES WITH: 5264 SERIES.

ウエハー: 66ナイロン。ガラス入り, UL 94V-0  
 WAFER: 66NYLON, GLASS REINFORCED, UL 94V-0



39.9	38.5	35	22-03-5155	5267-15A	15
37.4	36	32.5	-5145	-14A	14
34.9	33.5	30	-5135	-13A	13
32.4	31	27.5	-5125	-12A	12
29.9	28.5	25	-5115	-11A	11
27.4	26	22.5	-5105	-10A	10
24.9	23.5	20	-5095	-09A	9
22.4	21	17.5	-5085	-08A	8
19.9	18.5	15	-5075	-07A	7
17.4	16	12.5	-5065	-06A	6
14.9	13.5	10	-5055	-05A	5
12.4	11	7.5	-5045	-04A	4
9.9	8.5	5	-5035	-03A	3
7.4	6	2.5	22-03-5025	5267-02A	2
C	B	A	EDP NO.	ENG. NO.	極数 NO OF CKT.

角度 ANGLE	±3°					材料 MATERIAL	—//—	MOLEX-JAPAN CO., LTD. 日本モレックス株式会社 REVISE ONLY ON CAD SYSTEM TITLE 名称 <b>2.5 LOW PROFILE          WAFER ASS'Y</b>
30以上 OVER	+0.3	B 変更 REVISIED (JC60688)	n.h	Y.M	96/3/26	仕上げ FINISH	—//—	
10以上 OVER 30未下 UNDER	+0.25	A 変更 (J10590)	K.T	H.H	91/7/26	適用電線範囲 WIRE RANGE	—//—	
10未下 UNDER	+0.2	0 新規作成 (J80546)	Y.M	H.H	96/20/88	被覆外径 INS. RANGE	—//—	
一般公差 GENERAL TOLERANCES		記号 LTR	変更内容 REVISION RECORD	DR. CHK.	日付 DATE	DRAWN BY Y.MIZUNO 6/20/88	CHK'D BY Y.MIZUNO 96/03/26	DWG. NO. SD-5267-NA
						APP'D BY M.FUKUSHIMA 96/03/26	尺度 SCALE 5:1	REV B