

PLEASE CHECK WWW.MOLEX.COM FOR LATEST PART INFORMATION

Part Number: [0022035155](#)
Status: **Active**
Description: 2.50mm (.098") Pitch SPOX™ Wire-to-Board Header, Vertical, Shrouded, 15 Circuits, Tin (Sn) Plating

Documents:

[3D Model](#) [Product Specification PS-5264-001 \(PDF\)](#)
[Drawing \(PDF\)](#) [RoHS Certificate of Compliance \(PDF\)](#)

Agency Certification

CSA LR19980
 UL E29179

General

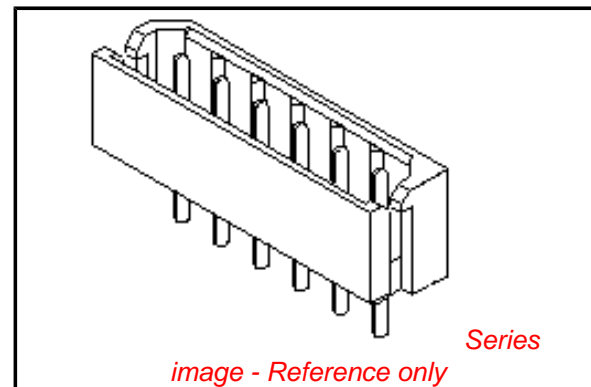
Product Family PCB Headers
 Series [5267](#)
 Application Wire-to-Board
 Product Name SPOX™

Physical

Breakaway No
 Circuits (Loaded) 15
 Circuits (maximum) 15
 Color - Resin Natural
 Durability (mating cycles max) 30
 Flammability 94V-0
 Glow-Wire Compliant No
 Lock to Mating Part Yes
 Material - Plating Mating Tin
 Material - Plating Termination Tin
 Material - Resin Nylon
 Number of Rows 1
 Orientation Vertical
 PC Tail Length (in) 0.138 In
 PC Tail Length (mm) 3.50 mm
 PCB Locator No
 PCB Retention Yes
 PCB Thickness Recommended (in) 0.062 In
 PCB Thickness Recommended (mm) 1.60 mm
 Packaging Type Bag
 Pitch - Mating Interface (in) 0.098 In
 Pitch - Mating Interface (mm) 2.50 mm
 Plating min: Mating (µin) 160
 Plating min: Mating (µm) 4
 Plating min: Termination (µin) 160
 Plating min: Termination (µm) 4
 Polarized to Mating Part Yes
 Polarized to PCB No
 Shrouded Fully
 Stackable No
 Surface Mount Compatible (SMC) No
 Temperature Range - Operating -40°C to +105°C
 Termination Interface: Style Through Hole

Electrical

Current - Maximum per Contact 3A



EU RoHS

**ELV and RoHS
 Compliant**
REACH SVHC
 Not Reviewed
**Halogen-Free
 Status**

China RoHS



**Need more information on product
 environmental compliance?**

Email productcompliance@molex.com
 For a multiple part number RoHS Certificate of
 Compliance, [click here](#)

Please visit the [Contact Us](#) section for any
 non-product compliance questions.

Search Parts in this Series

[5267Series](#)

Mates With

[5264](#) , [42219](#)

Voltage - Maximum

250V

Material Info

Old Part Number

5267-15A

Reference - Drawing Numbers

Product Specification

PS-5264-001, RPS-5264-005, RPS-5267-001

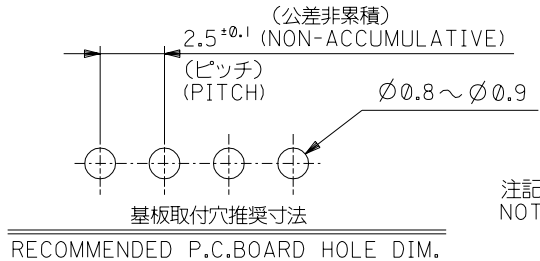
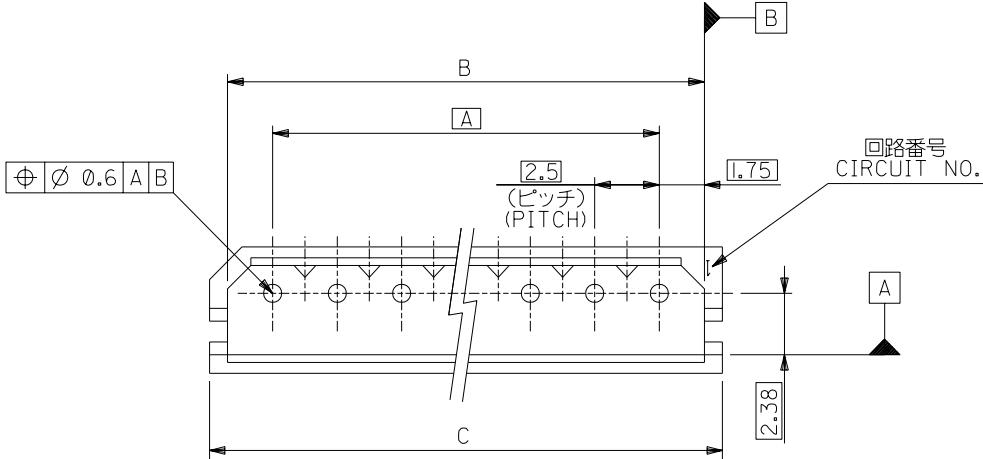
Sales Drawing

SD-5267-NA

This document was generated on 04/15/2010

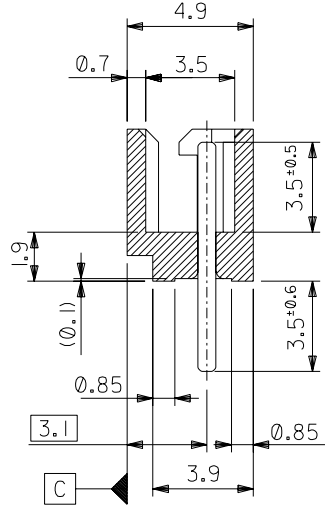
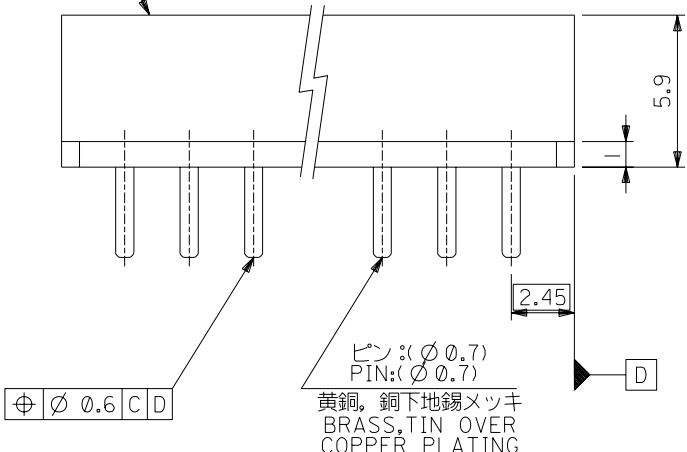
PLEASE CHECK WWW.MOLEX.COM FOR LATEST PART INFORMATION

DWG. NO. SD-5267-NA



注記
NOTES:
1. 嵌合相手: 5264 シリーズ
MATES WITH: 5264 SERIES.

ウエハー: 66ナイロン。ガラス入り, UL 94V-0
WAFER: 66NYLON, GLASS REINFORCED, UL 94V-0



39.9	38.5	35	22-03-5155	5267-15A	15
37.4	36	32.5	-5145	-14A	14
34.9	33.5	30	-5135	-13A	13
32.4	31	27.5	-5125	-12A	12
29.9	28.5	25	-5115	-11A	11
27.4	26	22.5	-5105	-10A	10
24.9	23.5	20	-5095	-09A	9
22.4	21	17.5	-5085	-08A	8
19.9	18.5	15	-5075	-07A	7
17.4	16	12.5	-5065	-06A	6
14.9	13.5	10	-5055	-05A	5
12.4	11	7.5	-5045	-04A	4
9.9	8.5	5	-5035	-03A	3
7.4	6	2.5	22-03-5025	5267-02A	2
C	B	A	EDP NO.	ENG.NO.	極数 NO OF CKT.

角度 ANGLE	±3°					材料 MATERIAL	— / —	MOLEX-JAPAN CO.,LTD. 日本モレックス株式会社 REVISE ONLY ON CAD SYSTEM TITLE 名称 2.5 LOW PROFILE WAFER ASS'Y	DWG. NO. SD-5267-NA	REV B
30以上 OVER	+0.3	B	変更 REVISED (JC60688)	n.h	96/3/26	仕上げ FINISH	— / —			
10以上 OVER 30 UNDER	+0.25	A	変更 (J10590)	K.T	91/7/26	適用電線範囲 WIRE RANGE	— / —			
10 UNDER	+0.2	0	新規作成 (J80546)	Y.M	96/20/88	被覆外径 INS. RANGE	— / —			
一般公差 GENERAL TOLERANCES		記号 LTR	変更内容 REVISION RECORD	DR. CHK.	日付 DATE	DRAWN BY Y.MIZUNO	CHK'D BY Y.MIZUNO	尺 寸 度 SCALE	5:1	