

PLEASE CHECK WWW.MOLEX.COM FOR LATEST PART INFORMATION

Part Number: [0191930106](#)
Status: **Active**
Description: VersaKrimp™ Ring Tongue Terminal for 10-12 AWG Wire

Documents:

[Drawing \(PDF\)](#) [RoHS Certificate of Compliance \(PDF\)](#)

Agency Certification

CSA LR18689
 UL E32244

General

Product Family Ring and Spade Terminals
 Series [19193](#)
 Crimp Quality Equipment Yes
 Mil-Spec N/A
 Product Name VersaKrimp™
 Type Ring

Physical

Barrel Type Closed - Brazed
 Insulation None
 Material - Plating Mating Tin
 Packaging Type Bag
 Stud Size 8 (M4)
 Wire Size AWG 10, 12
 Wire Size mm² 3.30 - 5.00

Material Info

Old Part Number C-328-08

Reference - Drawing Numbers

Sales Drawing SD-19193-023



EU RoHS

ELV and RoHS Compliant
REACH SVHC Contains SVHC: No
Halogen-Free Status

China RoHS



Halogen-Free

Need more information on product environmental compliance?

Email productcompliance@molex.com
 For a multiple part number RoHS Certificate of Compliance, [click here](#)

Please visit the [Contact Us](#) section for any non-product compliance questions.

Search Parts in this Series

[19193Series](#)

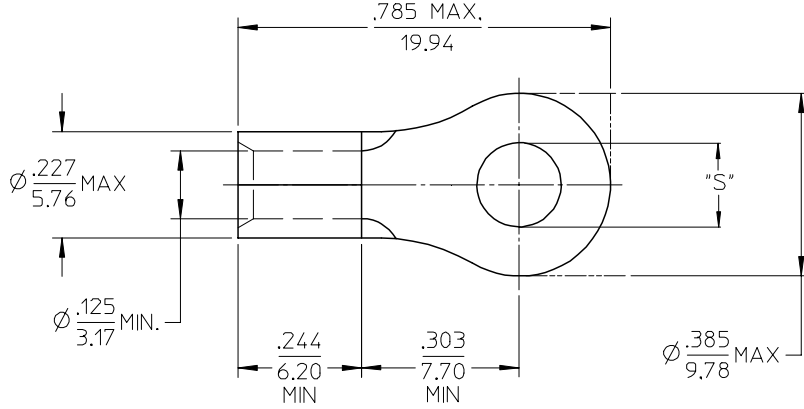
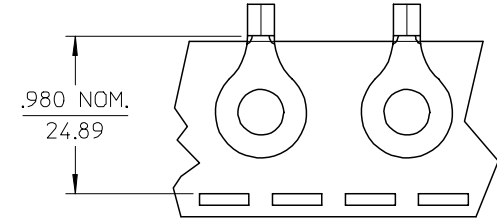
Application Tooling | [FAQ](#)

Tooling specifications and manuals are found by selecting the products below. Crimp Height Specifications are then contained in the Application Tooling Specification document.

Global

Description	Product #
Hand Crimp Tool	0640030100
Crimp Head for the AT-200™ Pneumatic Hand Tool	0640070100

MATERIAL NO. LOOSE PIECE	ENG. NO.	MATERIAL NO. TAPE MOUNTED	ENG. NO.	STUD	±.003 "S"	STOCK THICKNESS
191930101	C-328-04	-----	-----	4	.126	.040 (1.02)
191930103	C-328-06	191930105	C-328-06T	6	.146	
191930106	C-328-08	191930108	C-328-08T	8	.173	
191930109	C-328-10	191930111	C-328-10T	10	.198	
191930112	C-328-209	191930113	C-328-209T	209	.209	



SALES DRAWING

NOTE(S):
 1. MATERIAL: COPPER
 2. PLATING: ELECTROPLATE TIN
 3. ALL DIMENSIONS IN INCHES/(MM)
 4. WIRE SIZE: 12-10 AWG
 4.0-6.0 MM²

REVISED/UPDATE TO MX STD EC NO: ETC2003-0315 DRWN: DMYRICK 2003/08/20 CHKD: HEB 2003/08/21 APPR: RDEROSS 2003/08/21	DESCRIPTION A	QUALITY SYMBOLS	GENERAL TOLERANCES (UNLESS SPECIFIED)	SCALE 4:1	DESIGN UNITS INCH	THIRD ANGLE PROJECTION	REVISE ON CAD ONLY																
		▽ = 0 ▽ = 0	<table border="1"> <thead> <tr> <th></th> <th>mm</th> <th>INCH</th> </tr> </thead> <tbody> <tr> <td>4 PLACES</td> <td>± ---</td> <td>± ---</td> </tr> <tr> <td>3 PLACES</td> <td>± ---</td> <td>± .005</td> </tr> <tr> <td>2 PLACES</td> <td>± 0.13</td> <td>± .01</td> </tr> <tr> <td>1 PLACE</td> <td>± 0.25</td> <td>± ---</td> </tr> </tbody> </table> ANGULAR ±1/2°		mm	INCH	4 PLACES	± ---	± ---	3 PLACES	± ---	± .005	2 PLACES	± 0.13	± .01	1 PLACE	± 0.25	± ---	DIMENSION STYLE IN/MM	TITLE	RING TONGUE TERMINAL VERSAKRIMP 12-10 AWG		
			mm	INCH																			
		4 PLACES	± ---	± ---																			
3 PLACES	± ---	± .005																					
2 PLACES	± 0.13	± .01																					
1 PLACE	± 0.25	± ---																					
DRAFT WHERE APPLICABLE	DRAWN BY DLM CHECKED BY HEB APPROVED BY RWD	DATE 03/06/13 DATE 03/06/13 DATE 03/06/13	MATERIAL NO. (SEE CHART) DOCUMENT NO. SD-19193-023 SHEET NO. 1 OF 1	MOLEX INCORPORATED																			
MUST REMAIN WITHIN DIMENSIONS	THIS DRAWING CONTAINS INFORMATION THAT IS PROPRIETARY TO MOLEX INCORPORATED AND SHOULD NOT BE USED WITHOUT WRITTEN PERMISSION																						