

PLEASE CHECK WWW.MOLEX.COM FOR LATEST PART INFORMATION

Part Number: [0193171020](#)
Status: **Active**
Overview: [versakrimp terminals and splices](#)
Description: VersaKrimp™ SL Ring Type Connectors, Tin Plated Copper, Wire Size 250MCM-300MCM, 3/4" Stud Size

Documents:

[Drawing \(PDF\)](#) [RoHS Certificate of Compliance \(PDF\)](#)

General

Product Family	Ring and Spade Terminals
Series	19317
Comments	285.0A
Crimp Quality Equipment	Yes
Mil-Spec	N/A
Overview	versakrimp terminals and splices
Product Name	VersaKrimp™
Type	Ring

Physical

Barrel Type	Closed - Brazed
Insulation	None
Material - Metal	Copper
Material - Plating Mating	Tin
Packaging Type	Bag
Stud Size	3/4" (M18)
Wire Size AWG	250MCM, 300MCM

Material Info

Reference - Drawing Numbers

Sales Drawing	SD-19317-001
---------------	--------------



EU RoHS

**ELV and RoHS
Compliant**
**REACH SVHC
Not Reviewed**
**Halogen-Free
Status
Not Reviewed**

China RoHS

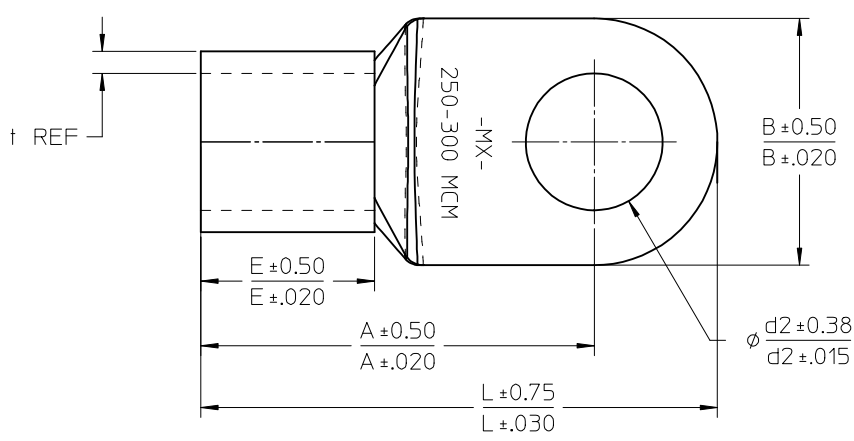


**Need more information on product
environmental compliance?**

Email productcompliance@molex.com
 For a multiple part number RoHS Certificate of Compliance, [click here](#)

Please visit the [Contact Us](#) section for any non-product compliance questions.

Search Parts in this Series
[19317Series](#)

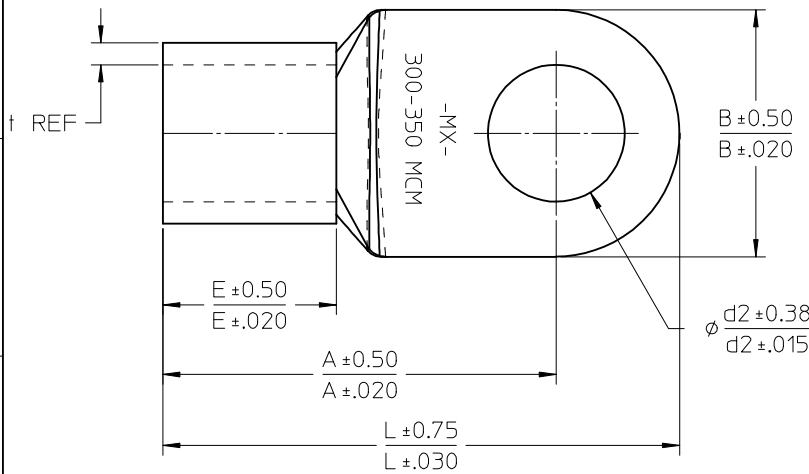


19317-4027 SHOWN

- NOTES:
 1. MATERIAL: TIN PLATED COPPER
 2. PRODUCT IS ROHS COMPLIANT
 3. TERMINAL MARKED AS SHOWN

MATERIAL NO.	WIRE RANGE MCM mm ²	A	B	d1 ϕ		E	L	mm	
				d1	d2			inch	t
193171008	250-300 117-152	50.0 1.97	36.0 1.42	19.5 0.77	8.4 0.33	27.0 1.06	66.0 2.60	3.2 0.13	
193171010	250-300 117-152	50.0 1.97	36.0 1.42	19.5 0.77	10.5 0.41	27.0 1.06	66.0 2.60	3.2 0.13	
193171012	250-300 117-152	50.0 1.97	36.0 1.42	19.5 0.77	13.0 0.51	27.0 1.06	66.0 2.60	3.2 0.13	
193171014	250-300 117-152	50.0 1.97	36.0 1.42	19.5 0.77	15.0 0.59	27.0 1.06	66.0 2.60	3.2 0.13	
193171016	250-300 117-152	50.0 1.97	36.0 1.42	19.5 0.77	17.0 0.67	27.0 1.06	66.0 2.60	3.2 0.13	
193171110	250-300 117-152	63.0 2.48	36.0 1.42	19.5 0.77	10.5 0.33	27.0 1.06	81.0 3.19	3.2 0.13	
193171112	250-300 117-152	63.0 2.48	36.0 1.42	19.5 0.77	13.0 0.51	27.0 1.06	81.0 3.19	3.2 0.13	
193171116	250-300 117-152	63.0 2.48	36.0 1.42	19.5 0.77	17.0 0.67	27.0 1.06	81.0 3.19	3.2 0.13	
193171018	250-300 117-152	63.0 2.48	36.0 1.42	19.5 0.77	19.0 0.75	27.0 1.06	81.0 3.19	3.2 0.13	
193171020	250-300 117-152	63.0 2.48	36.0 1.42	19.5 0.77	21.0 0.83	27.0 1.06	81.0 3.19	3.2 0.13	
193171022	250-300 117-152	63.0 2.48	36.0 1.42	19.5 0.77	23.0 0.91	27.0 1.06	81.0 3.19	3.2 0.13	
193171024	250-300 117-152	63.0 2.48	36.0 1.42	19.5 0.77	25.0 0.98	27.0 1.06	81.0 3.19	3.2 0.13	
193171027	250-300 117-152	63.0 2.48	36.0 1.42	19.5 0.77	28.0 1.10	27.0 1.06	81.0 3.19	3.2 0.13	

ENTER DESCRIPTION EC NO: WNAZ009-0877 TIDRAWN:MODELL 2009/06/29 CHKD: 2009/06/30 APPR:RDEROSS 2009/07/01	QUALITY SYMBOLS ▽=0 ▽=0	GENERAL TOLERANCES (UNLESS SPECIFIED)		DIMENSION STYLE MM/IN		SCALE 1:2	DESIGN UNITS METRIC	THIRD ANGLE PROJECTION			
		4 PLACES ± --- ± --- 3 PLACES ± --- ± --- 2 PLACES ± --- ± --- 1 PLACE ± --- ± ---	mm INCH	DRAWN BY MODELL	DATE 2009/02/18	TITLE SL SERIES RING TYPE CONNECTORS 250-600MCM					
		ANGULAR ± ---°		CHECKED BY RDEROSS	DATE 2009/02/18	MOLEX INCORPORATED					
		DRAFT WHERE APPLICABLE MUST REMAIN WITHIN DIMENSIONS		APPROVED BY RDEROSS	DATE 2009/02/18	MATERIAL NO. SEE TABLE	DOCUMENT NO. SD-19317-001	SHEET NO. 1 OF 4			

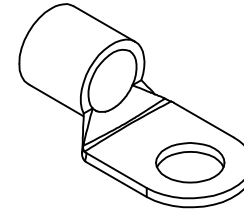
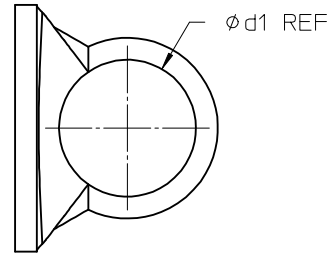
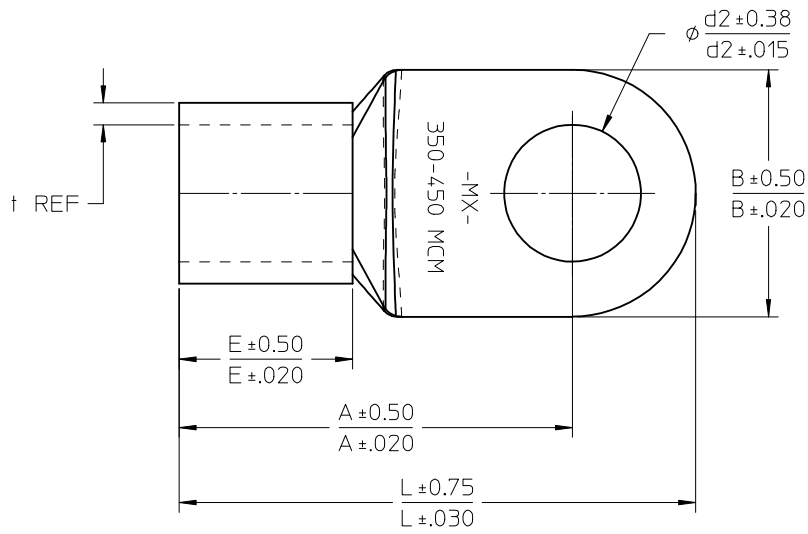


19317-4027 SHOWN

SEE NOTES ON SHEET 1

MATERIAL NO.	WIRE RANGE		A	B	d1 ϕ	d2 ϕ	E	L	mm	
	MCM	mm ²							t	inch
193172008	300-350	152-193	53.0 2.09	38.5 1.52	21.0 0.83	8.4 0.33	28.5 1.12	69.0 2.72	3.5 0.14	
193172010	300-350	152-193	53.0 2.09	38.5 1.52	21.0 0.83	10.5 0.41	28.5 1.12	69.0 2.72	3.5 0.14	
193172012	300-350	152-193	53.0 2.09	38.5 1.52	21.0 0.83	13.0 0.51	28.5 1.12	69.0 2.72	3.5 0.14	
193172014	300-350	152-193	53.0 2.09	38.5 1.52	21.0 0.83	15.0 0.59	28.5 1.12	69.0 2.72	3.5 0.14	
193172016	300-350	152-193	53.0 2.09	38.5 1.52	21.0 0.83	17.0 0.67	28.5 1.12	69.0 2.72	3.5 0.14	
193172112	300-350	152-193	53.0 2.09	38.5 1.52	21.0 0.83	13.0 0.51	28.5 1.12	69.0 2.72	3.5 0.14	
193172116	300-350	152-193	53.0 2.09	38.5 1.52	21.0 0.83	17.0 0.67	28.5 1.12	69.0 2.72	3.5 0.14	
193172018	300-350	152-193	67.5 2.66	38.5 1.52	21.0 0.83	19.0 0.75	28.5 1.12	86.8 3.42	3.5 0.14	
193172020	300-350	152-193	67.5 2.66	38.5 1.52	21.0 0.83	21.0 0.83	28.5 1.12	86.8 3.42	3.5 0.14	
193172022	300-350	152-193	67.5 2.66	38.5 1.52	21.0 0.83	23.0 0.91	28.5 1.12	86.8 3.42	3.5 0.14	
193172024	300-350	152-193	67.5 2.66	38.5 1.52	21.0 0.83	25.0 0.98	28.5 1.12	86.8 3.42	3.5 0.14	
193172027	300-350	152-193	67.5 2.66	38.5 1.52	21.0 0.83	28.0 1.10	28.5 1.12	86.8 3.42	3.5 0.14	

ENTER DESCRIPTION EC NO: WNA2009-0877 TIDRWN:MODELL 2009/06/29 CHKD: 2009/06/30 APPR:RDEROSS 2009/07/01 REV DESCRIPTION	QUALITY SYMBOLS ▽=0 ▽7=0	GENERAL TOLERANCES (UNLESS SPECIFIED) <table border="1"> <tr> <th></th> <th>mm</th> <th>INCH</th> </tr> <tr> <td>4 PLACES</td> <td>± ---</td> <td>± ---</td> </tr> <tr> <td>3 PLACES</td> <td>± ---</td> <td>± ---</td> </tr> <tr> <td>2 PLACES</td> <td>± ---</td> <td>± ---</td> </tr> <tr> <td>1 PLACE</td> <td>± ---</td> <td>± ---</td> </tr> <tr> <td colspan="3">ANGULAR ± ---°</td> </tr> </table>		mm	INCH	4 PLACES	± ---	± ---	3 PLACES	± ---	± ---	2 PLACES	± ---	± ---	1 PLACE	± ---	± ---	ANGULAR ± ---°			DIMENSION STYLE MM/IN	SCALE 1:2	DESIGN UNITS METRIC	THIRD ANGLE PROJECTION
		mm	INCH																					
	4 PLACES	± ---	± ---																					
	3 PLACES	± ---	± ---																					
2 PLACES	± ---	± ---																						
1 PLACE	± ---	± ---																						
ANGULAR ± ---°																								
DRAFT WHERE APPLICABLE MUST REMAIN WITHIN DIMENSIONS	DRAWN BY MODELL	DATE 2009/02/18	CHECKED BY RDEROSS	DATE 2009/02/18	TITLE SL SERIES RING TYPE CONNECTORS 250-600MCM																			
MATERIAL NO. SEE TABLE	APPROVED BY RDEROSS	DATE 2009/02/18	MOLEX INCORPORATED		DOCUMENT NO. SD-19317-001	SHEET NO. 2 OF 4																		
THIS DRAWING CONTAINS INFORMATION THAT IS PROPRIETARY TO MOLEX INCORPORATED AND SHOULD NOT BE USED WITHOUT WRITTEN PERMISSION																								

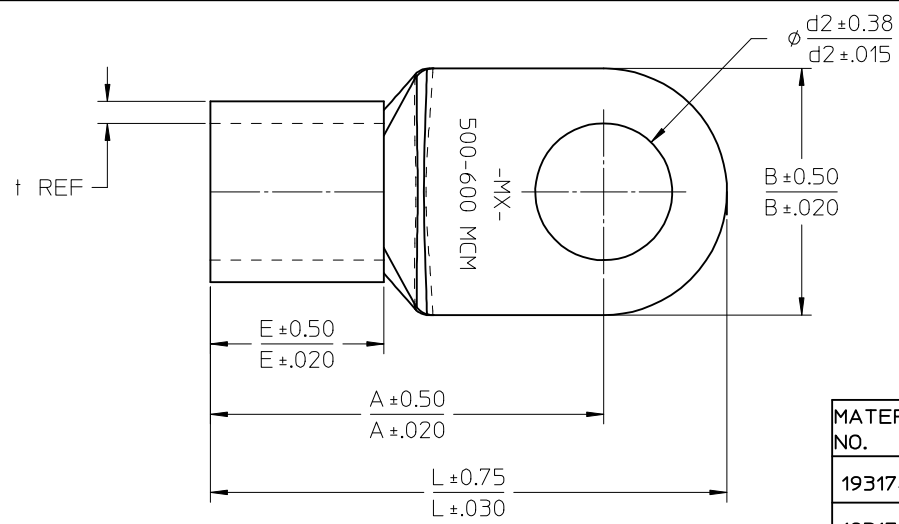


19317-4027 SHOWN

SEE NOTES ON SHEET 1

MATERIAL NO.	WIRE RANGE		A	B	d1φ	d2φ	E	L	mm	
	MCM	mm							t	inch
193173008	350-450	193-242	56.0 2.20	44.0 1.73	24.0 0.94	8.4 0.33	31.5 1.24	72.0 2.83	4.0 0.16	
193173010	350-450	193-242	56.0 2.20	44.0 1.73	24.0 0.94	10.5 0.41	31.5 1.24	72.0 2.83	4.0 0.16	
193173012	350-450	193-242	56.0 2.20	44.0 1.73	24.0 0.94	13.0 0.51	31.5 1.24	72.0 2.83	4.0 0.16	
193173014	350-450	193-242	56.0 2.20	44.0 1.73	24.0 0.94	15.0 0.59	31.5 1.24	72.0 2.83	4.0 0.16	
193173016	350-450	193-242	56.0 2.20	44.0 1.73	24.0 0.94	17.0 0.67	31.5 1.24	72.0 2.83	4.0 0.16	
193173112	350-450	193-242	56.0 2.20	44.0 1.73	24.0 0.94	13.0 0.51	31.5 1.24	72.0 2.83	4.0 0.16	
193173116	350-450	193-242	56.0 2.20	44.0 1.73	24.0 0.94	17.0 0.67	31.5 1.24	72.0 2.83	4.0 0.16	
193173018	350-450	193-242	69.0 2.72	44.0 1.73	24.0 0.94	19.0 0.75	31.5 1.24	91.0 3.58	4.0 0.16	
193173020	350-450	193-242	69.0 2.72	44.0 1.73	24.0 0.94	21.0 0.83	31.5 1.24	91.0 3.58	4.0 0.16	
193173022	350-450	193-242	69.0 2.72	44.0 1.73	24.0 0.94	23.0 0.91	31.5 1.24	91.0 3.58	4.0 0.16	
193173024	350-450	193-242	69.0 2.72	44.0 1.73	24.0 0.94	25.0 0.98	31.5 1.24	91.0 3.58	4.0 0.16	
193173027	350-450	193-242	69.0 2.72	44.0 1.73	24.0 0.94	28.0 1.10	31.5 1.24	91.0 3.58	4.0 0.16	

ENTER DESCRIPTION EC NO: WNAZ009-0877 TIDRWA:MODELL 2009/06/29 CHKD: 2009/06/30 APPR:RDEROSS 2009/07/01 REV DESCRIPTION	QUALITY SYMBOLS ▽=0 ▽7=0	GENERAL TOLERANCES (UNLESS SPECIFIED) mm INCH 4 PLACES ± --- ± --- 3 PLACES ± --- ± --- 2 PLACES ± --- ± --- 1 PLACE ± --- ± --- ANGULAR ± ---°	DIMENSION STYLE MM/IN DRAWN BY DATE MODELL 2009/02/18 CHECKED BY DATE RDEROSS 2009/02/18 APPROVED BY DATE RDEROSS 2009/02/18	SCALE 1:2 TITLE SL SERIES RING TYPE CONNECTORS 250-600MCM	DESIGN UNITS METRIC THIRD ANGLE PROJECTION
	DRAFT WHERE APPLICABLE MUST REMAIN WITHIN DIMENSIONS		MATERIAL NO. SEE TABLE	DOCUMENT NO. SD-19317-001	SHEET NO. 3 OF 4
	THIS DRAWING CONTAINS INFORMATION THAT IS PROPRIETARY TO MOLEX INCORPORATED AND SHOULD NOT BE USED WITHOUT WRITTEN PERMISSION			MOLEX MOLEX INCORPORATED	
				SIZE B	



19317-4027 SHOWN

SEE NOTES ON SHEET 1

MATERIAL NO.	WIRE MCM	RANGE mm ²	A		B		d1		d2		E		L		t	
			mm	inch	mm	inch	mm	inch	mm	inch	mm	inch	mm	inch	mm	inch
193174008	500-600	245-325	69.0	2.72	50.5	1.99	28.0	1.10	8.4	0.33	35.5	1.40	88.0	3.46	4.5	0.18
193174010	500-600	245-325	69.0	2.72	50.5	1.99	28.0	1.10	10.5	0.41	35.5	1.40	88.0	3.46	4.5	0.18
193174012	500-600	245-325	69.0	2.72	50.5	1.99	28.0	1.10	13.0	0.51	35.5	1.40	88.0	3.46	4.5	0.18
193174014	500-600	245-325	69.0	2.72	50.5	1.99	28.0	1.10	15.0	0.59	35.5	1.40	88.0	3.46	4.5	0.18
193174016	500-600	245-325	69.0	2.72	50.5	1.99	28.0	1.10	17.0	0.67	35.5	1.40	88.0	3.46	4.5	0.18
193174112	500-600	245-325	80.5	3.17	50.5	1.99	28.0	1.10	13.0	0.51	35.5	1.40	105.7	4.16	4.5	0.18
193174116	500-600	245-325	80.5	3.17	50.5	1.99	28.0	1.10	17.0	0.67	35.5	1.40	105.7	4.16	4.5	0.18
193174018	500-600	245-325	80.5	3.17	50.5	1.99	28.0	1.10	19.0	0.75	35.5	1.40	105.7	4.16	4.5	0.18
193174020	500-600	245-325	80.5	3.17	50.5	1.99	28.0	1.10	21.0	0.83	35.5	1.40	105.7	4.16	4.5	0.18
193174022	500-600	245-325	80.5	3.17	50.5	1.99	28.0	1.10	23.0	0.91	35.5	1.40	105.7	4.16	4.5	0.18
193174024	500-600	245-325	80.5	3.17	50.5	1.99	28.0	1.10	25.0	0.98	35.5	1.40	105.7	4.16	4.5	0.18
193174027	500-600	245-325	80.5	3.17	50.5	1.99	28.0	1.10	28.0	1.10	35.5	1.40	105.7	4.16	4.5	0.18

ENTER DESCRIPTION EC NO: WNA2009-0877 TIDRAWN:MODELL 2009/06/29 CHKD: 2009/06/30 APPR:RDEROSS 2009/07/01 REV DESCRIPTION	QUALITY SYMBOLS ▽=0 ▽7=0	GENERAL TOLERANCES (UNLESS SPECIFIED) mm INCH 4 PLACES ± --- ± --- 3 PLACES ± --- ± --- 2 PLACES ± --- ± --- 1 PLACE ± --- ± --- ANGULAR ± ---°	DIMENSION STYLE MM/IN DRAWN BY DATE MODELL 2009/02/18 CHECKED BY DATE RDEROSS 2009/02/18 APPROVED BY DATE RDEROSS 2009/02/18	SCALE 1:2 DESIGN UNITS METRIC THIRD ANGLE PROJECTION	TITLE SL SERIES RING TYPE CONNECTORS 250-600MCM
	DRAFT WHERE APPLICABLE MUST REMAIN WITHIN DIMENSIONS		MATERIAL NO. SEE TABLE	DOCUMENT NO. SD-19317-001	SHEET NO. 4 OF 4
	MOLEX INCORPORATED				
	THIS DRAWING CONTAINS INFORMATION THAT IS PROPRIETARY TO MOLEX INCORPORATED AND SHOULD NOT BE USED WITHOUT WRITTEN PERMISSION				