

PLEASE CHECK WWW.MOLEX.COM FOR LATEST PART INFORMATION

Part Number: [0482019063](#)
Status: **Active**
Description: D-Subminiature Shielded I/O PCB Female Receptacle, Vertical, Through Hole, 9 Circuits, #4-40 UNC Threaded Insert, with Brackets, Gold (Au) Flash Plating, PCB Thickness 1.60mm(.063"), Lead Free

Documents:

[3D Model](#) [Product Specification PS-48201-001 \(PDF\)](#)
[Drawing \(PDF\)](#) [RoHS Certificate of Compliance \(PDF\)](#)

General

Product Family	I/O Connectors
Series	48201
Application	Wire-to-Board
Component Type	Receptacle
Product Name	D-Sub
Type	N/A

Physical

Boot Color	N/A
Circuits (Loaded)	9
Circuits (maximum)	9
Color - Resin	Black
Durability (mating cycles max)	600
Gender	Female
Lock to Mating Part	Yes
Material - Metal	Phosphor Bronze
Material - Plating Mating	Gold
Material - Plating Termination	Tin
Material - Resin	Polyester
Number of Rows	2
Orientation	Vertical
PC Tail Length (in)	0.118 In
PC Tail Length (mm)	3.00 mm
PCB Locator	No
PCB Retention	Yes
PCB Thickness Recommended (in)	0.063 In
PCB Thickness Recommended (mm)	1.60 mm
Packaging Type	Tray
Panel Mount	Yes
Pitch - Mating Interface (in)	0.054 In
Pitch - Mating Interface (mm)	1.38 mm
Pitch - Term. Interface (in)	0.054 In
Pitch - Term. Interface (mm)	1.38 mm
Plating min: Mating (µin)	2
Plating min: Mating (µm)	0.05
Plating min: Termination (µin)	100
Plating min: Termination (µm)	2.54
Polarized to Mating Part	Yes
Polarized to PCB	Yes
Ports	1
Surface Mount Compatible (SMC)	No
Temperature Range - Operating	-55°C to +85°C
Termination Interface: Style	Through Hole
Waterproof / Dustproof	No
Wire Size AWG	N/A

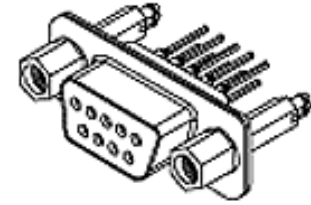


image - Reference only

Series

EU RoHS

**ELV and RoHS
Compliant**
**REACH SVHC
Not Reviewed**
**Halogen-Free
Status**

China RoHS



**Need more information on product
environmental compliance?**

Email productcompliance@molex.com
For a multiple part number RoHS Certificate of Compliance, [click here](#)

Please visit the [Contact Us](#) section for any non-product compliance questions.

Search Parts in this Series

[48201Series](#)

Mates With

[48202 D-Sub Male Plug](#)

Electrical

Current - Maximum per Contact	1A
Shield Type	Full Shield
Shielded	Yes
Voltage - Maximum	300V DC

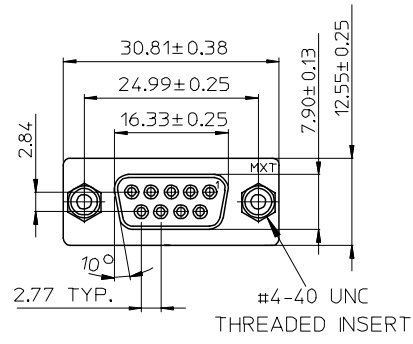
Material Info**Reference - Drawing Numbers**

Product Specification	PS-48201-001
Sales Drawing	SD-48201-002

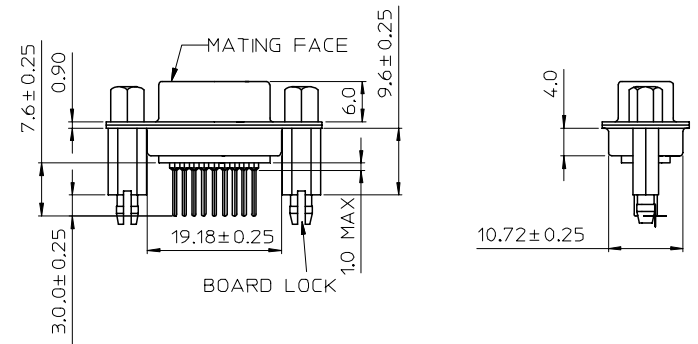
This document was generated on 03/31/2010

PLEASE CHECK WWW.MOLEX.COM FOR LATEST PART INFORMATION

E



D



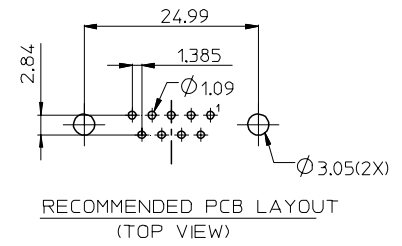
C

NOTE:

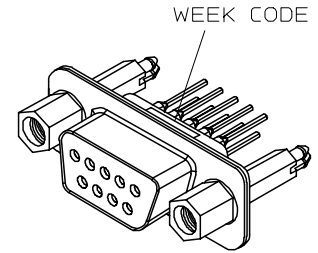
- 1.MATERIAL:
HOUSING:POLYESTER,GLASS FILLED,UL94-V0,COLOR:BLACK
TERMINAL:PHOSPHOR BRONZE
METAL SHELL:SPCC
NUT & BOARD LOCK:BRASS
- 2.PLATING:
TERMINAL:
CONTACT AREA:GOLD FLASH OVERALL.
UNDER PLATE:NICKEL(Ni),THICKNESS=50 MICROINCH MIN./1.27 MICROMETER MIN.
METAL SHELL:TIN(Sn),THICKNESS=100 MICROINCH MIN./2.54 MICROMETER MIN.
TIN(Sn),THICKNESS=100 MICROINCH MIN./2.54 MICROMETER MIN.
UNDER PLATE:COPPER(Cu),THICKNESS=50 MICROINCH MIN./1.27 MICROMETER MIN.
BOARD LOCK:TIN (Sn),THICKNESS=30 MICROINCH MIN/0.76 MICROMETER MIN.
NUT:NICKEL(Ni),THICKNESS=50 MICROINCH MIN/1.27 MICROMETER MIN.
- 3.RECOMMENDED PCB THICKNESS:1.60+/-0.05mm
- 4.PRODUCT SPECIFICATION:REFER TO PS-48201-001
- 5.TEST SUMMARY:REFER TO TS-48201-002
- 6.PACKAGING SPECIFICATION:REFER TO PK-48201-002
- 7.LEAD FREE AND ROHS COMPLIANT PRODUCT
- 8.WEEK CODE: xxxxC



B



A



NEW RELEASE EC NO: SH2008-0133 DRWN:ALL IN 2007/09/28 CHKD: 2007/09/28 APPR:WMSCHANG 2007/10/04	DESCRIPTION QUALITY SYMBOLS ▽=0 ▽=0	GENERAL TOLERANCES (UNLESS SPECIFIED)		DIMENSION STYLE MM ONLY		SCALE	DESIGN UNITS METRIC	THIRD ANGLE PROJECTION		
			mm	INCH	DRAWN BY IVY LIN	DATE 2007/07/27	TITLE D-SUB RECEPTACLE VERT 9 CKT DIP WITH BRACKET			
		4 PLACES	± ---	± ---	CHECKED BY ALLEN LIN	DATE 2007/07/30	MOLEX INCORPORATED			
		3 PLACES	± ---	± ---	APPROVED BY ERICK LAN	DATE 2007/07/30				
2 PLACES	± 0.25	± ---	ANGULAR ± 3 °		MATERIAL NO. 48201-9063	DOCUMENT NO. SD-48201-002	SHEET NO. 1 OF 1			
1 PLACE	± 0.25	± ---	DRAFT WHERE APPLICABLE MUST REMAIN WITHIN DIMENSIONS		SIZE A 4	THIS DRAWING CONTAINS INFORMATION THAT IS PROPRIETARY TO MOLEX INCORPORATED AND SHOULD NOT BE USED WITHOUT WRITTEN PERMISSION				

E

D

C

B

A