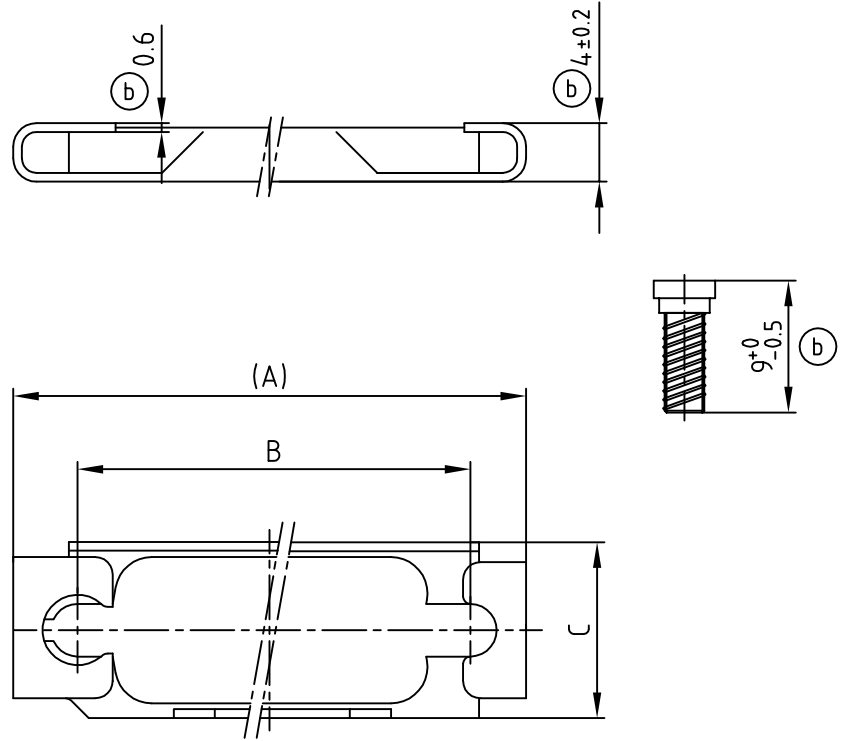


used for: D-SUB



(b) A set consists of:
1 frame
2 screws

(b) Material and plating:
frame - stainless steel
screws; 5-7µ Zn thickfilm passivated

| No. of Pos. | (b) A | (b) B | (b) C | Part No. |
|-------------|-------|-------|-------|------------|
| 9 | 35.0 | 27.4 | 12.0 | 160X10159X |
| 15 | 43.3 | 35.7 | 11.5 | 160X10169X |
| 25 | 57.0 | 49.4 | 12.0 | 160X10179X |
| 37 | 74.4 | 65.9 | 12.0 | 160X10189X |
| 50 | 72.0 | 63.5 | 15.0 | 160X10199X |

Directive 2002/95/EC
„RoHS“
Compliant

THIS DRAWING MAY NOT BE COPIED OR REPRODUCED IN ANY WAY, AND MAY NOT BE PASSED ON TO A THIRD PARTY WITHOUT WRITTEN PERMISSION.
OWNERSHIP AND COPYRIGHT OF CONEC GmbH
DO NOT ALTER CAD DRAWING BY HAND

| | | | | | |
|-----------------------------|-------------|------------|---------|--------------|------|
| tolerance DIN ISO 2768-m | | 2002 | | date | name |
| | | drawn | 12.03. | Schmidt | |
| | | appd. | 12.03. | Mickenbecker | |
| | | norm | | | |
| | | d-old | KAT1X5A | | |
| 8 x b | Ä 3055 | 14.07.2008 | Lehmen. | | |
| a | Origin | | | | |
| rev. | description | date | name | | |



| | | |
|-----------|--|---------|
| scale: | 2:1 | |
| material: | SEE NOTES | |
| title: | Slide-lock Typ 3 with locking bolt 9 - 50 pos. | |
| dwg no: | AutoCAD 2000 | DIN-A |
| | 16K1A602 | 4 |
| part no: | SEE TABLE | |
| | | sh: 1/1 |