

PLEASE CHECK WWW.MOLEX.COM FOR LATEST PART INFORMATION

Part Number: [0398800809](#)
Status: **Active**
Description: 5.08mm (.200") Pitch Beau™ Eurostyle™ Low Profile, Three Level Terminal Block, Modular, 9 Circuits

Documents:

[3D Model](#)
[Drawing \(PDF\)](#)

[RoHS Certificate of Compliance \(PDF\)](#)

Agency Certification

UL E48521

General

Product Family	Terminal Blocks
Series	39880
Application	Wire-to-Board
Component Type	One Piece
Product Literature Order No	USA-263
Product Name	Eurostyle™ Multi-Level
Type	Euro Block

Physical

Circuits (Loaded)	9
Entry Angle	Horizontal
Flammability	94V-0
Lock to Mating Part	None
Number of Rows	3
Orientation	Vertical
PC Tail Length (in)	0.140 In
PC Tail Length (mm)	3.50 mm
PCB Retention	None
PCB Thickness Recommended (in)	0.093 In
PCB Thickness Recommended (mm)	2.40 mm
Panel Mount	No
Pitch - Mating Interface (in)	0.200 In
Pitch - Mating Interface (mm)	5.08 mm
Pitch - Term. Interface (in)	0.200 In
Pitch - Term. Interface (mm)	5.08 mm
Polarized to Mating Part	N/A
Shrouded	Fully
Stackable	Yes
Temperature Range - Operating	110°C
Wire Size AWG	16, 18, 20, 22, 24, 26, 28, 30
Wire Size mm²	0.20 - 1.50

Electrical

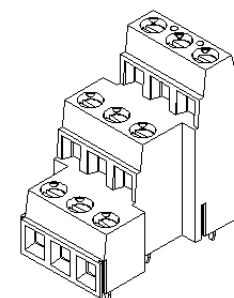
Current - Maximum per Contact	13.5A
Voltage - Maximum	300V

Material Info

Old Part Number	8831-0901-0000
-----------------	----------------

Reference - Drawing Numbers

Sales Drawing	SD-39880-010
---------------	--------------



*Series
image - Reference only*

EU RoHS

**ELV and RoHS
Compliant**
REACH SVHC
 Not Reviewed
**Halogen-Free
Status**
 Not Reviewed

China RoHS



**Need more information on product
environmental compliance?**

Email productcompliance@molex.com
 For a multiple part number RoHS Certificate of
 Compliance, [click here](#)

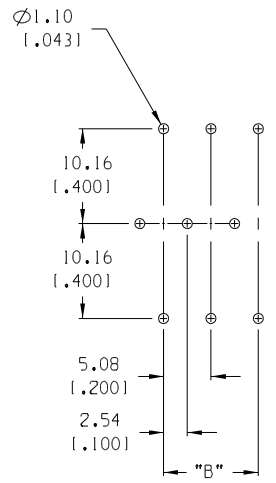
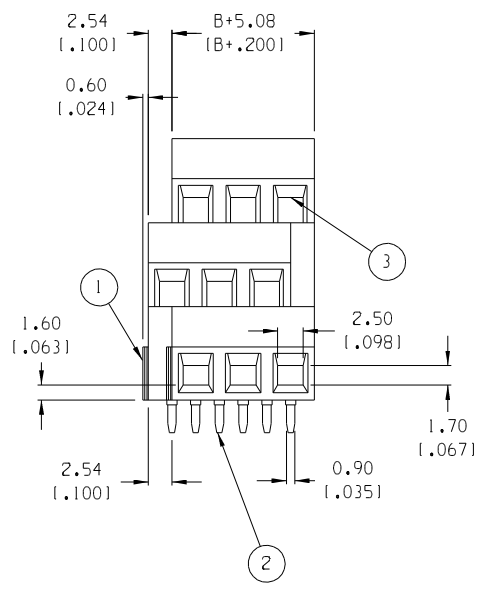
Please visit the [Contact Us](#) section for any
 non-product compliance questions.

Search Parts in this Series

[39880Series](#)

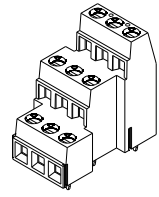
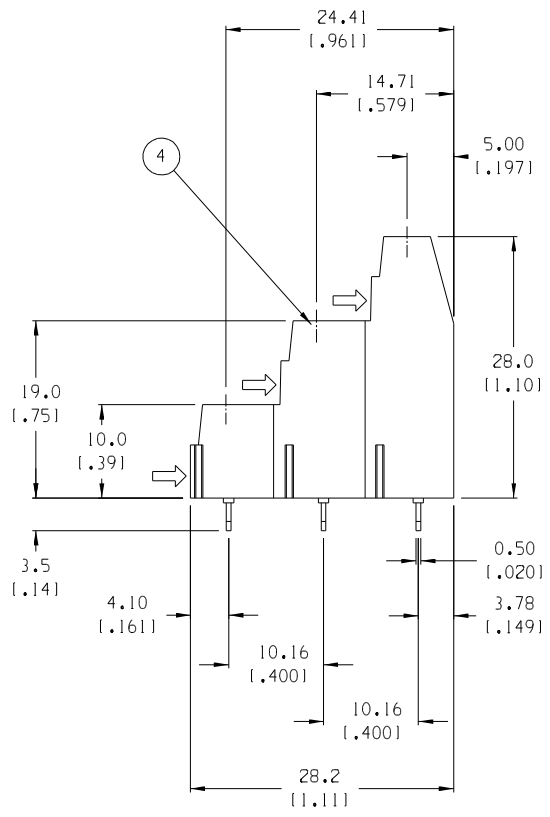
This document was generated on 04/26/2010

PLEASE CHECK WWW.MOLEX.COM FOR LATEST PART INFORMATION



PTH PATTERN

- NOTES:
1. MATERIAL: SEE TABLE
 2. FINISHES: SEE TABLE
 3. PRODUCT SPECIFICATION: NOT REQUIRED
 4. PACKAGING: NOT REQUIRED
 5. MATES WITH: NONE
 6. "XX" REFERS TO THE QUANTITY OF CIRCUITS.



AUX. VIEW
SCALE 1:1
9 CIRCUIT SHOWN

NO. OF CIRCUITS "XX"	DIM. "B"	MATERIAL NO.
06	5.08 (1.200)	39880-0806
09	10.16 (1.400)	39880-0809
12	15.24 (1.600)	39880-0812
15	20.32 (1.800)	39880-0815
18	25.40 (1.000)	39880-0818
21	30.48 (1.200)	39880-0821
24	35.56 (1.400)	39880-0824
27	40.64 (1.600)	39880-0827
30	45.72 (1.800)	39880-0830
33	50.80 (2.000)	39880-0833
36	55.88 (2.200)	39880-0836
39	60.96 (2.400)	39880-0839
42	66.04 (2.600)	39880-0842
45	71.12 (2.800)	39880-0845
48	76.20 (3.000)	39880-0848
51	81.28 (3.200)	39880-0851
54	86.36 (3.400)	39880-0854
57	91.44 (3.600)	39880-0857
60	96.52 (3.800)	39880-0860
63	101.60 (4.000)	39880-0863
66	106.68 (4.200)	39880-0866
69	111.76 (4.400)	39880-0869
72	116.84 (4.600)	39880-0872

ITEM	QTY.	DESCRIPTION	MATERIAL	FINISH
4	XX	SCREW, M3	BRONZE	NICKEL PLATE
3	XX	RIISING CAGE CLAMP	BRASS	NICKEL PLATE
2	XX	TERMINAL	COPPER ALLOY	TIN PLATE
1	1	INSULATOR, THREE LEVEL	POLYAMIDE	BLACK

EC NO. RELEASED DRAWN: CLY CH: K1 APPR:	DESCRIPTION MAJOR CRITICAL SPC S	GENERAL TOLERANCES: (UNLESS SPECIFIED)		SCALE 2:1	DESIGN UNITS <input type="checkbox"/> mm <input checked="" type="checkbox"/> INCH	THIRD ANGLE PROJECTION	PROJECT NO. - DIMENSIONS:	SHT REV
		4 PLACES ±.0015 3 PLACES ±.038 ±.005 2 PLACES ±.13 ±.01 1 PLACE ±.3	mm INCH ±.0015 ±.005 ±.13 ±.01 ±.3	DRAWN BY & DATE C. YORK 11-29-04	CHECKED BY & DATE	APPROVED BY & DATE	TITLE: 5.08mm (.200") LOW PROFILE, THREE LEVEL TERM. BLOCK	MOLEX INCORPORATED
A	REV	ANGULAR: ±2°	DRAFT WHERE APPLICABLE MUST REMAIN WITHIN DIMENSIONS	CAD FILENAME 8831XX	THIS DRAWING CONTAINS INFORMATION THAT IS PROPRIETARY TO MOLEX INCORPORATED AND SHOULD NOT BE USED WITHOUT WRITTEN PERMISSION.	SHEET NO. 1 OF 1	SIZE B	