

规格书编号

SPEC NO :

产品规格书

SPECIFICATION

CUSTOMER 客户: _____

PRODUCT 产品: V.C.O

MODEL NO 型号: HDM7100

PREPARED 编制: Zhouping CHECKED 审核: Duchuangang

APPROVED 批准: CHARLES DATE 日期: 2008-08-25

客户确认 CUSTOMER RECEIVED:		
审核 CHECKED	批准 APPROVED	日期 DATE

无锡市好达电子有限公司
Shoulder Electronics Limited

1.Features

Low Noise,

High Frequency stability

Low operating supply voltage: +5V

Operating temperature rang: -40°C~85°C

Small Size

2.Applications

Frequency Modulation

Frequency Synthesizer

Phase-locked Loop

TV tuner

Spectrum Analyzer

Radar

Broadcasting Station

BaseStation

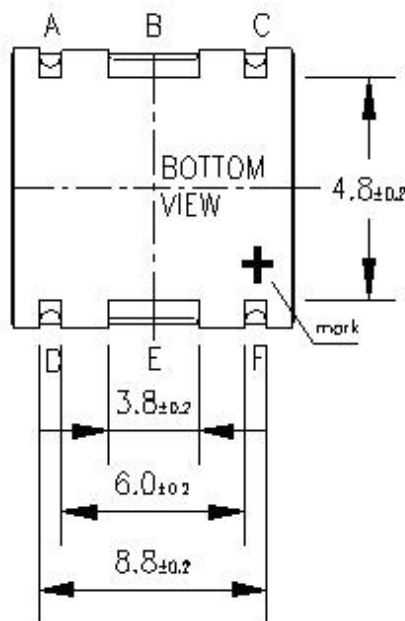
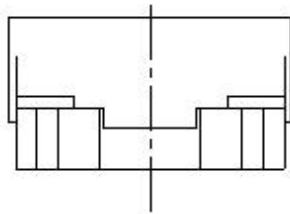
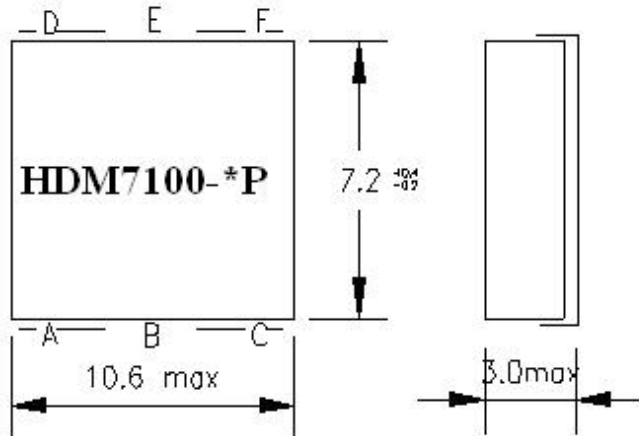
Repeater

3. Electrical Specification

Electrical Characteristics

Parameter	Min	Typ	Max	Units	Remarks
Operating Voltage (Vcc)	4.75	5.0	5.25	Vdc	
Output Level	-3	0	3	dBm	Vcc = 5.0V, Vt = 2.5V
Current Consumption (Icc)			20	mA	Vcc = 5.0V, Vt = 2.5V
Tuning Sensitivity(avg.)	24			MHz/V	Vt = 0.5 ~ 4.5V
Tuning Voltage (Vt)	0.5		4.5	Vdc	
Oscillation Frequency			1685	MHz	Vcc = 5.0V, Vt = 0.5V
	1805			MHz	Vcc = 5.0V, Vt = 4.5V
C/N (@ 1 KHz offset)		-75	-70	dBc / Hz	
C/N (@10 KHz offset)		-99	-95		Vcc = 5.0V, Vt = 2.5V
C/N (@ 100 KHz offset)		-120	-115		
C/N (@ 1 MHz offset)		-140	-130		
Pushing Figure			±1500	kHz	Vcc = 5.0V, Vt = 2.5V
2'nd Harmonic		-25	-15	dBc	Vcc = 5.0V, Vt = 2.5V
Load Impedance		50		Ω	
Operating Temperature	-30		+80	℃	

4. Outline Drawing



TITLE OF TERMINAL

- A : CONTROL VOLTAGE
- B,E : GROUND
- C : POWER SUPPLY
- D : AUDIO MODULATION (OR N.C)
- F : OUTPUT POWER
- * UNIT : mm
- CASE t : 0.2mm

Recommended Board Pattern

