

# Customer Information Sheet

DRAWING No.: M80-4C1XXXXSI, M80-4C1XXXXSI-00-000-00-000

SHT 2 OF 2

IF IN DOUBT - ASK

©

NOT TO SCALE

THIRD ANGLE PROJECTION

ALL DIMENSIONS IN mm

**SPECIFICATIONS:**

**MATERIAL:**  
 MOULDING = GLASS-FILLED PPS, UL94V-0, BLACK  
 CONTACT CLIP = BERYLLIUM COPPER  
 CONTACT SHELL = BRASS  
 BACKSHELL = ALUMINIUM ALLOY  
 BANDIT TIE & J/SCREW = STAINLESS STEEL

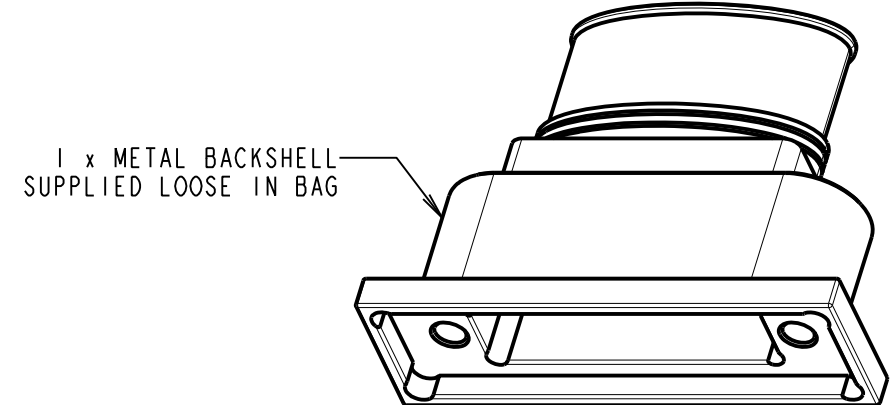
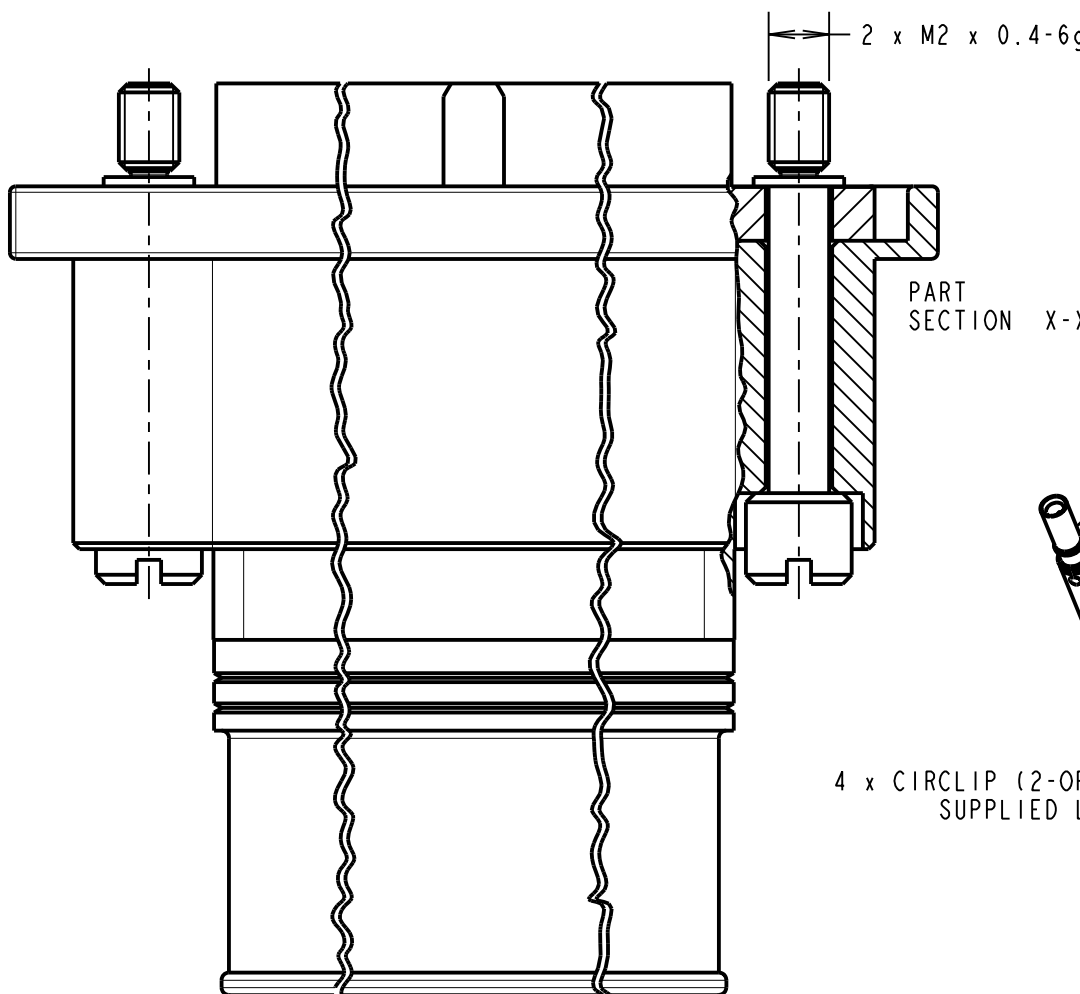
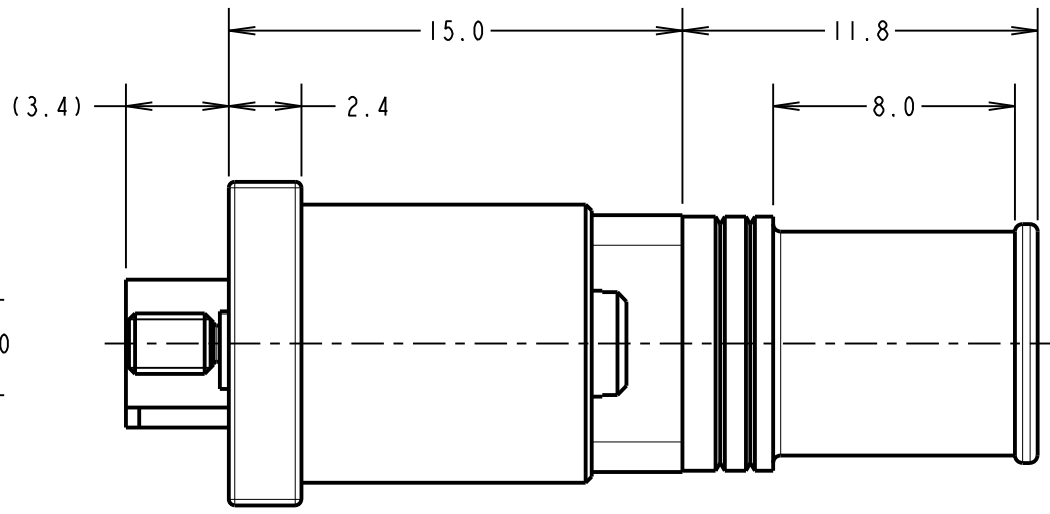
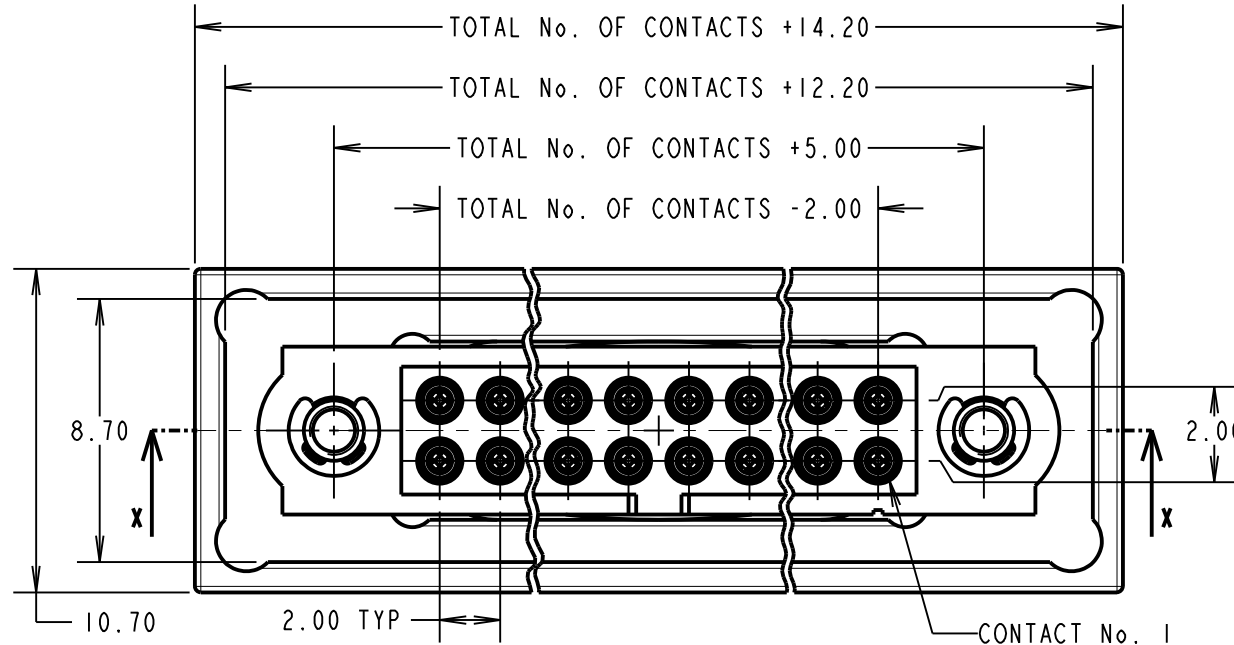
**FINISH:**  
 CONTACTS  
 05 = 0.3µ GOLD CLIP, 0.25-0.3µ GOLD SHELL  
 42 = 0.3µ GOLD CLIP, 3.5-5.0µ 100% TIN SHELL OVER NICKEL  
 BACKSHELL = NICKEL

**ELECTRICAL:**  
 RF ATTENUATION = 10kHz TO 400MHz @ >30dBs  
 IN GENERAL ACCORDANCE WITH MIL STD 1377 (1971)  
 CURRENT RATING AT 25°C = 3.0A MAX  
 CURRENT RATING AT 85°C = 2.2A MAX  
 WORKING VOLTAGE = 120V AC/DC  
 VOLTAGE PROOF = 360V AC/DC  
 CONTACT RESISTANCE = 25 mΩ MAX  
 INSULATION RESISTANCE = 100 MΩ MIN

**MECHANICAL:**  
 INSERTION FORCE (∅0.5mm GAUGE) = 2.8N MAX  
 WITHDRAWAL FORCE (∅0.5mm GAUGE) = 0.2N MIN

**ENVIRONMENTAL:**  
 TEMPERATURE RANGE = -55°C TO +121°C

**PACKING:**  
 SEE NOTES  
 FOR COMPLETE SPECIFICATION, SEE COMPONENT SPECIFICATION C005XX (LATEST ISSUE) AND C042XX (LATEST ISSUE)



CONTACTS = M80-01300XX (QTY = TOTAL No. OF CONTACTS)  
 05 = FINISH CODE '05'  
 01 = FINISH CODE '42'

4 x CIRCLIP (2-OFF REQUIRED) SUPPLIED LOOSE IN BAG SEE NOTE 6  
 2 x M2 SLOTTED JACKSCREWS SUPPLIED LOOSE IN BAG

- NOTES:**
- CONNECTOR IS SUPPLIED AS A KIT OF PARTS IN A BAG. BAGS WILL BE BULK PACKED INTO BOXES.
  - FOR EXTRA CONTACTS, USE PART No.'s.  
 M80-0130001 FOR M80-4C1XX42SI-00-000-00-000  
 M80-0130005 FOR M80-4C1XX05SI-00-000-00-000
  - FOR M80-4C1XXXXSI-00-000-00-000 THE RECOMMENDED WIRE TYPE = BS 3G 210 TYPE A, PTFE INSULATED 24-28 AWG, MAX INSULATION DIAMETER = ∅1.10mm, STRIP WIRE BY 2.00mm.
  - RECOMMENDED HAND CRIMP TOOL FOR ALL CONTACTS = M22520/2-01 WITH POSITIONER T5747.
  - CONTACT INSERTION & EXTRACTION TOOL = Z80-280.
  - TO APPLY CIRCLIPS USE HARWIN TOOL = Z80-300.
  - SEE TOOLING INSTRUCTION SHEET IS-32 FOR ASSEMBLY DETAILS AVAILABLE AT:  
<http://www.harwin.com/downloads/instructions/>
  - ALL PART LABELLING TO BE AS ORDER CODE, EITHER WITH TRAILING ZEROS OR LEFT BLANK AS PER ORDER CODE EXAMPLES 1 AND 2.
  - 1 BANDIT TIE SUPPLIED PER KIT

ORDER CODE: **M80-4C1XXXXSI-XX-XXX-XX-XXX**

TOTAL No. OF CONTACTS \_\_\_\_\_  
 06, 10, 14, 20, 26

FINISH CODE \_\_\_\_\_  
 05 - GOLD CLIP, GOLD SHELL  
 42 - GOLD CLIP, 100% TIN OVER NICKEL SHELL

NUMBER OF SPECIAL CONTACTS \_\_\_\_\_  
 X's CAN BE DISPLAYED AS TRAILING ZEROS OR LEFT BLANK  
 SEE EXAMPLE ORDER CODES FOR EXPLANATION.

EXAMPLE ORDER CODE 1: CONNECTOR WITH 20 SMALL BORE SIGNAL CONTACTS, GOLD CLIP AND GOLD SHELL  
**M80-4C12005SI-00-000-00-000**

EXAMPLE ORDER CODE 2: CONNECTOR WITH 20 LARGE BORE SIGNAL CONTACTS, GOLD CLIP AND 100% TIN SHELL  
**M80-4C12042SI**

SF	3	31.01.11	11110
NAME	ISS.	DATE	C/NOTE
APPROVED: S.FLOWER			
CHECKED: R.ADDE			
DRAWN: S.FLOWER			
CUSTOMER REF.:			
ASSEMBLY DRG:			

<b>HARWIN</b>			THIS DRAWING AND ANY INFORMATION OR DESCRIPTIVE MATTER SET OUT HEREON ARE CONFIDENTIAL AND COPYRIGHT PROPERTY OF THE HARWIN GROUP AND MUST NOT BE DISCLOSED, LOANED, COPIED OR USED FOR MANUFACTURING, TENDERING OR FOR ANY OTHER PURPOSE WITHOUT THEIR WRITTEN PERMISSION.	TOLERANCES X. = ±1mm X.X = ±0.25mm X.XX = ±0.10mm X.XXX = ±0.01mm  ANGLES = ±5° UNLESS STATED	MATERIAL: SEE ABOVE  FINISH: SEE ABOVE S/AREA: mm <sup>2</sup>	TITLE: DATAMATE J-TEK FEMALE CRIMP (SMALL BORE) ASSY WITH METAL BACKSHELL  DRAWING NUMBER: <b>M80-4C1XXXXSI, M80-4C1XXXXSI-00-000-00-000</b>
HARWIN USA TEL: 603 893 5376 FAX: 603 893 5396 mis@harwin.com	HARWIN Europe (UK) TEL: 023 9231 4545 FAX: 023 9231 4590 mis@harwin.co.uk	HARWIN Asia TEL: +65 6 779 4909 FAX: +65 6 779 3868 mis@harwin.com.sg		SHT 2 OF 2		