



DESCRIPTION

PT6398 is an automotive digital clock CMOS LSI. It drives fluorescent indicator panel directly. It can be driven by a 4.194304MHz crystal oscillator or an external clock signal (1024Hz). It has 4-ways display brightness control function and its display format is 12 hours.

FEATURES

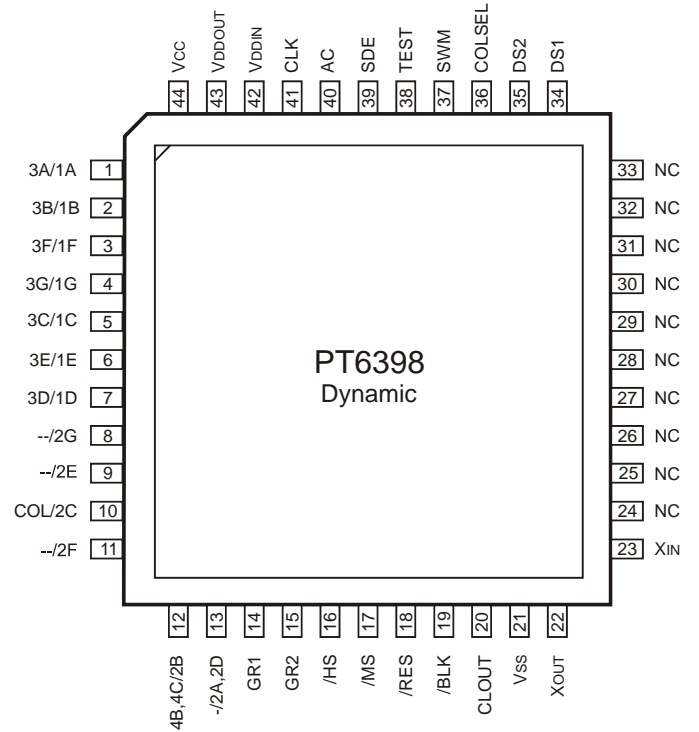
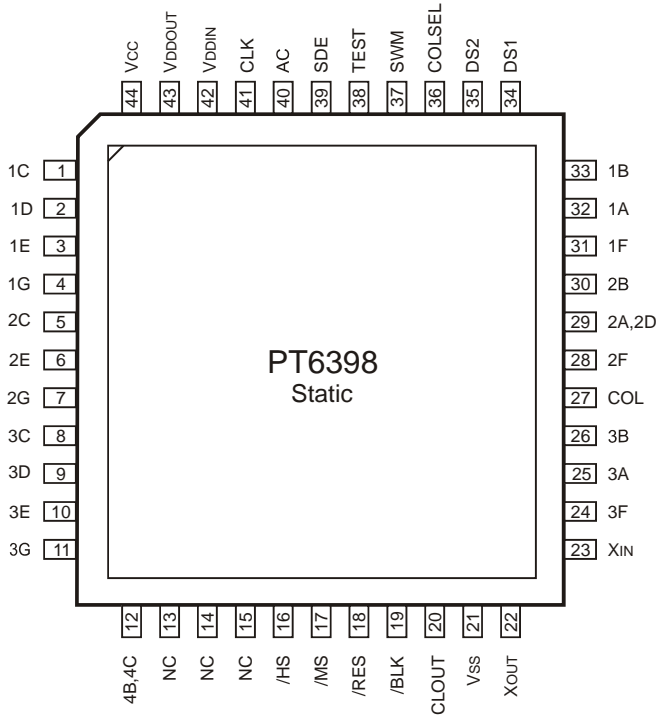
- 4.194304MHz crystal oscillator
- 4-ways display brightness control
(Segment duty for Static: 1, 1/4, 1/8, 1/16; Grid duty for dynamic: 6.25%, 12.5%, 25%, 50%)
- Hour and Minutes setting
- ± 30 Minutes auto correction
- 1024Hz signal output
- Segment output: CMOS output
- Internal POR (Power on Reset Circuit)
- 44 pin LQFP
- Static and dynamic driving selected



Automotive Digital Clock

PT6398

PIN CONFIGURATION

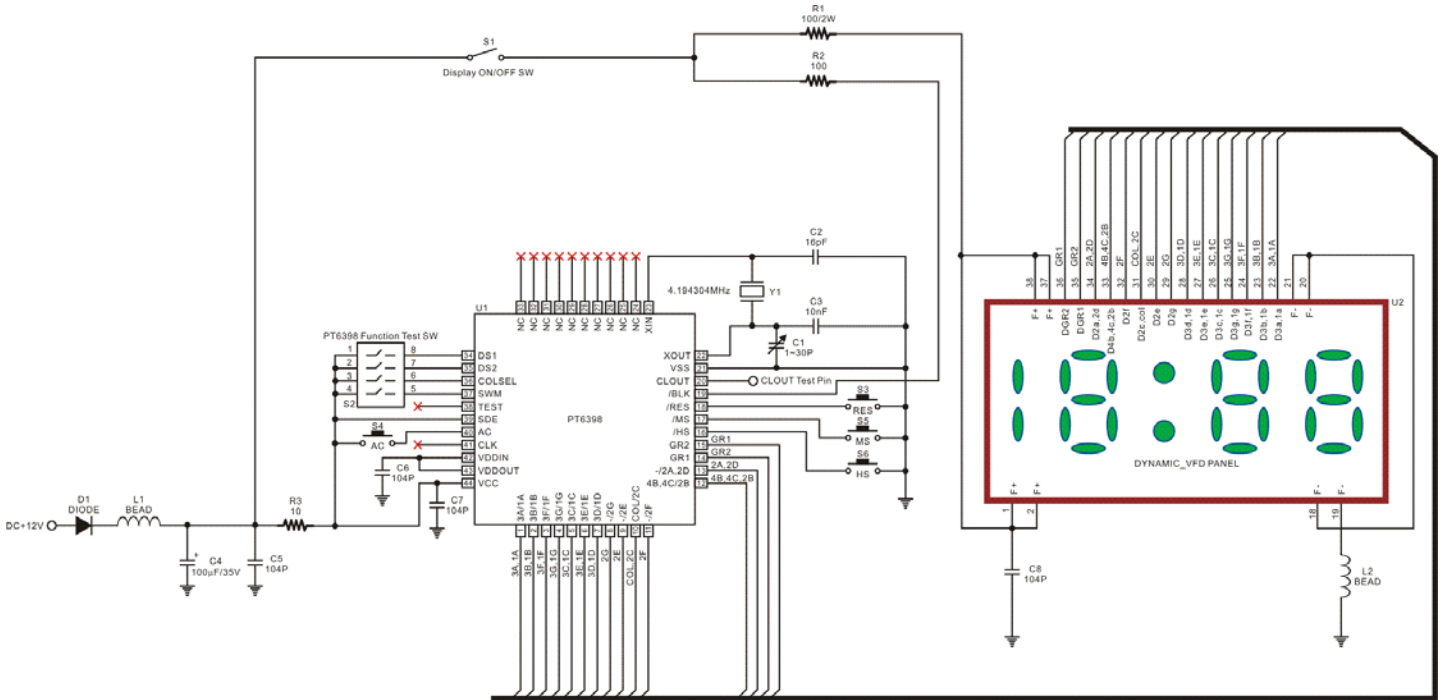




Automotive Digital Clock

PT6398

APPLICATION CIRCUIT 1
DYNAMIC MODE

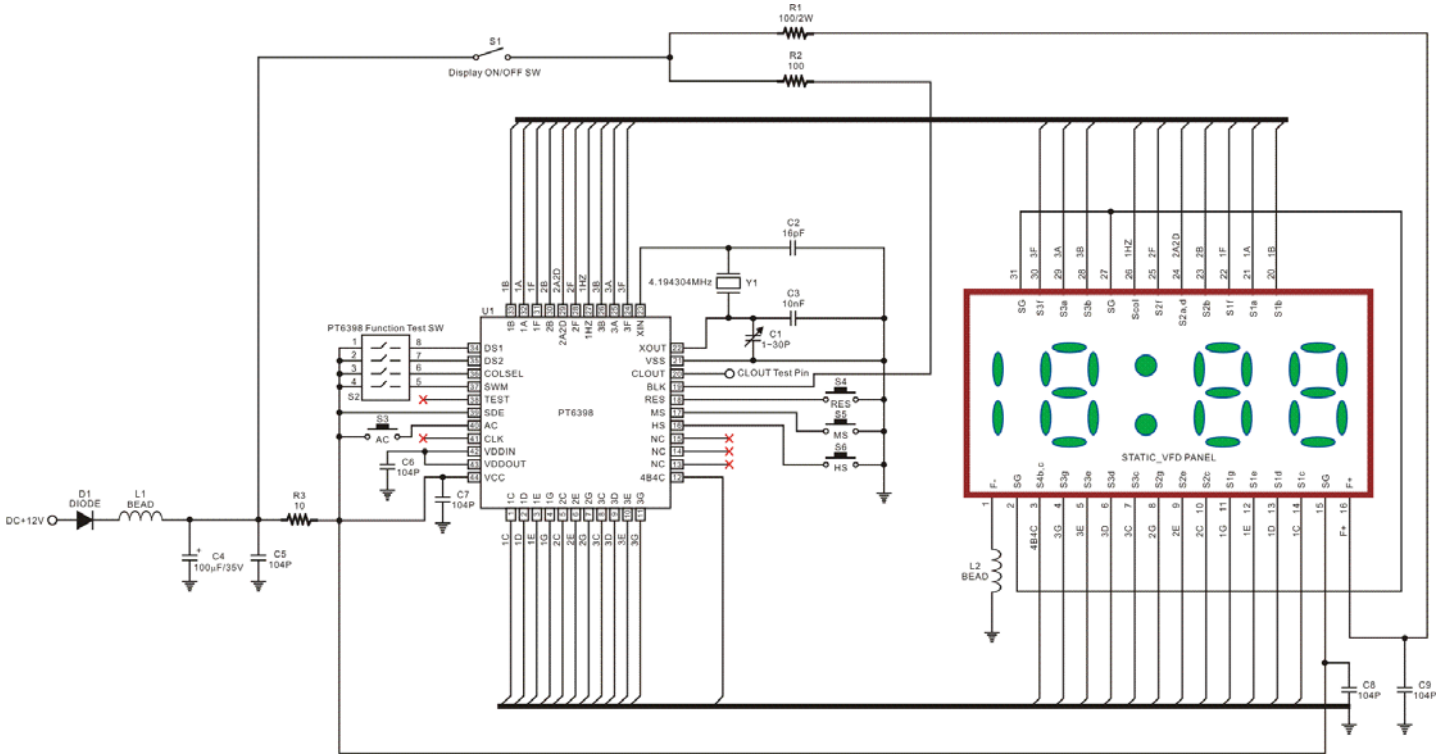




Automotive Digital Clock

PT6398

APPLICATION CIRCUIT 2
STATIC MODE





ORDER INFORMATION

Valid Part Number	Package Type	Top Code
PT6398-LQ	44 Pins, LQFP	PT6398-LQ