



TAI-SAW TECHNOLOGY CO., LTD.

No. 3, Industrial 2nd Rd., Ping-Chen Industrial District,
Taoyuan, 324, Taiwan, R.O.C.

TEL: 886-3-4690038 FAX: 886-3-4697532

E-mail: tstsales@mail.taisaw.com Web: www.taisaw.com

Approval Sheet For Product Specification

Issued Date:

Product Name: SAW Filter 611MHz

TST Parts No.: TA0753A

Customer Parts No.: _____

Company: _____
Division: _____
Approved by : _____
Date: _____

Checked by: _____ Asin Lin

Approval by: _____ Francis Chen

Date: _____ 2007/11/05



TAI-SAW TECHNOLOGY CO., LTD.

No. 3, Industrial 2nd Rd., Ping-Chen Industrial District,
Taoyuan, 324, Taiwan, R.O.C.

TEL: 886-3-4690038 FAX: 886-3-4697532

E-mail: tstsales@mail.taisaw.com Web: www.taisaw.com

SAW Filter 611 MHz

MODEL NO.: TA0753A

REV.NO.:1

A. MAXIMUM RATING:

1. Input Power Level: 10 dB_m
2. DC voltage: 3 V
3. Operating Temperature: -20°C to +70°C
4. Storage Temperature: -40°C to +85°C

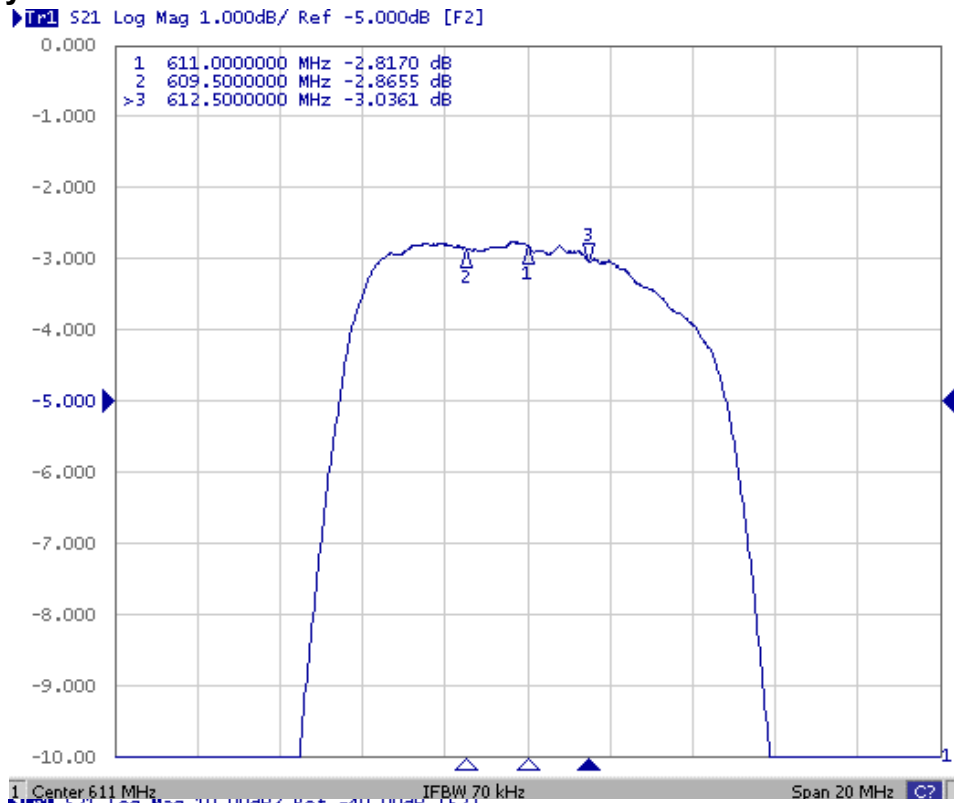
RoHS Compliant
Lead free
Lead-free soldering

B. ELECTRICAL CHARACTERISTICS:

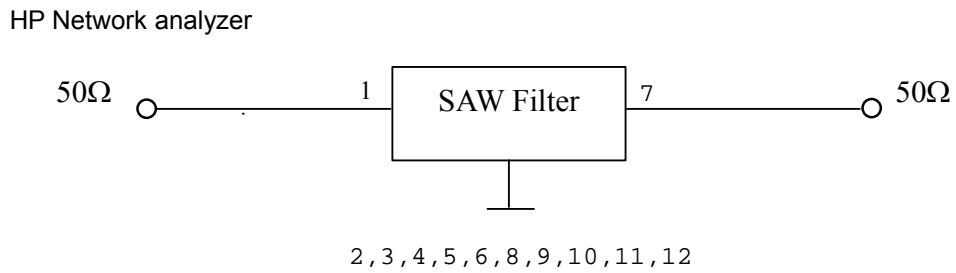
Item	Unit	Min.	Type.	Max.
Center frequency F _c	MHz	-	611	-
Insertion Loss I _{Lmin} (reference level)	dB	-	2.95	4.5
3dB Bandwidth BW _{-3dB}	MHz	7	9.9	-
40dB Bandwidth BW _{-40dB}		-	20.4	24
Amplitude Ripple 609.5~ 612.5 MHz	dB	-	0.4	1.3
Rejection:(Reference level from 0dB)				
520 to 560 MHz	dB	38	43	-
660 to 700 MHz	dB	38	45	-
Source impedance Z _s	Ω	-	50	-
Load impedance Z _L	Ω	-	50	-

Note: I_{Lmin} is the minimum of the pass band attenuation. The center frequency F_c is the mean value of the upper and lower frequencies at the 3dB filter attenuation level relative to the I_{Lmin}.

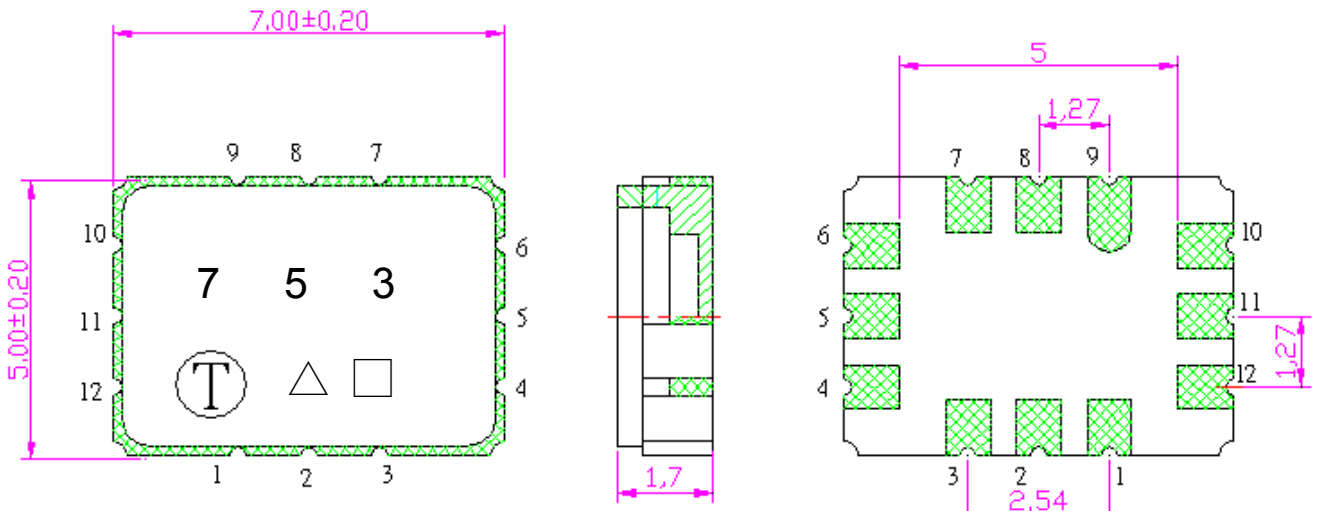
C. Frequency Characteristics :



D. MEASUREMENT CIRCUIT:



E. OUTLINE DRAWING:



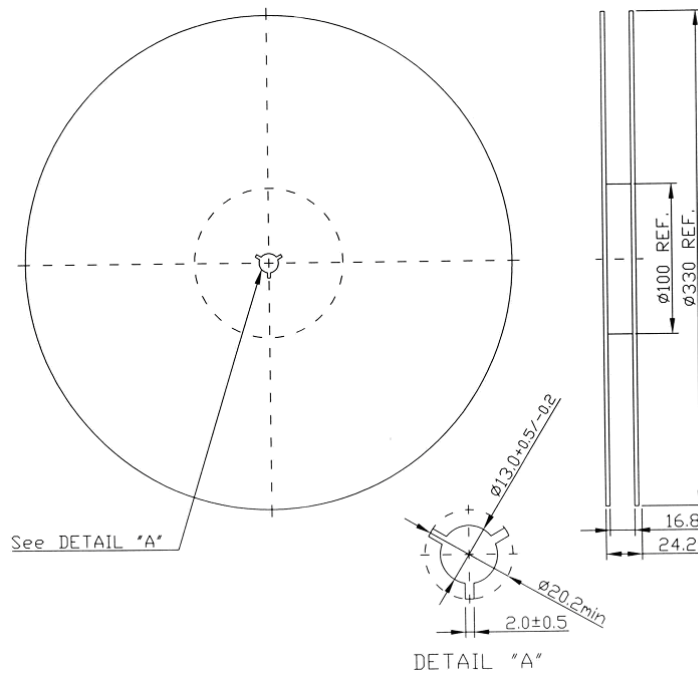
- #1: Input
- #7: Output
- #2,3,4,5,6,8,9,10,11,12: Ground
- △ : Year Code
- : Date Code
- Unit: mm

△ Product Year Code

Year	2005	2006	2007	2008
	2009	2010	2011	2012
Product Code	A	a	<u>A</u>	<u>a</u>

F. PACKING:

1. REEL DIMENSION



2. TAPE DIMENSION

