

PLEASE CHECK WWW.MOLEX.COM FOR LATEST PART INFORMATION

Part Number: [0351980801](#)
Status: **Active**
Description: 1.27mm (.050") Tab Multiple Wire-to-Board Female Housing, 2.50mm (.098") Pitch, 8 Circuits

Documents:

[Drawing \(PDF\)](#) [Product Specification PS-35519-001 \(PDF\)](#)
[Product Specification PS-35339-001 \(PDF\)](#) [RoHS Certificate of Compliance \(PDF\)](#)

General

Product Family Crimp Housings
 Series [35198](#)
 Product Name N/A

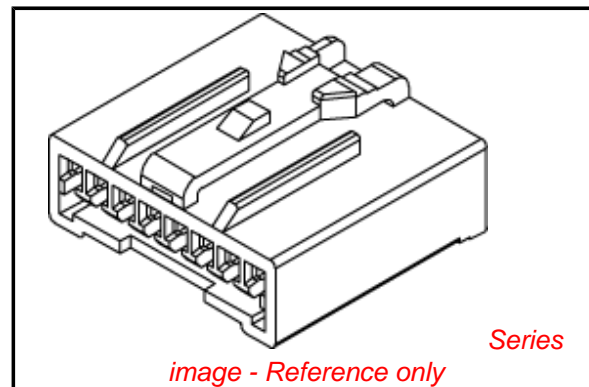
Physical

Circuits (maximum) 8
 Color - Resin Black
 Gender Female
 Glow-Wire Compliant No
 Material - Resin Polyester
 Number of Rows 1
 Packaging Type Bag
 Panel Mount No
 Pitch - Mating Interface (in) 0.098 In
 Pitch - Mating Interface (mm) 2.50 mm
 Temperature Range - Operating -40°C to +120°C

Material Info

Reference - Drawing Numbers

Product Specification PS-35339-001, PS-35519-001
 Sales Drawing SD-35198-001



EU RoHS

ELV and RoHS Compliant
REACH SVHC
 Not Reviewed
Halogen-Free Status

China RoHS



Need more information on product environmental compliance?

Email productcompliance@molex.com
 For a multiple part number RoHS Certificate of Compliance, [click here](#)

Please visit the [Contact Us](#) section for any non-product compliance questions.

Search Parts in this Series

[35198Series](#)

Mates With

[35339](#)

Use With

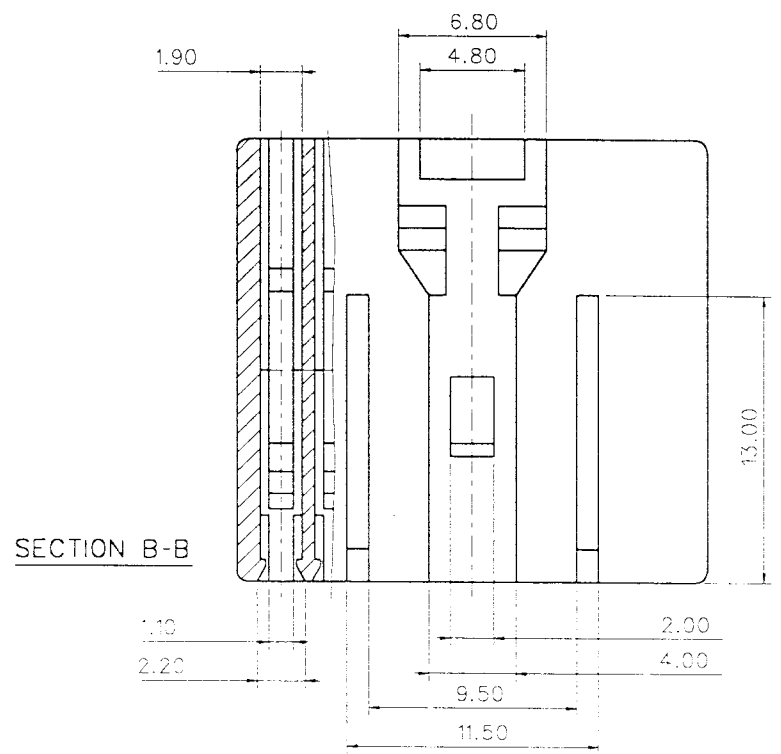
[50418](#)

ENG. NO. SD35198-0801

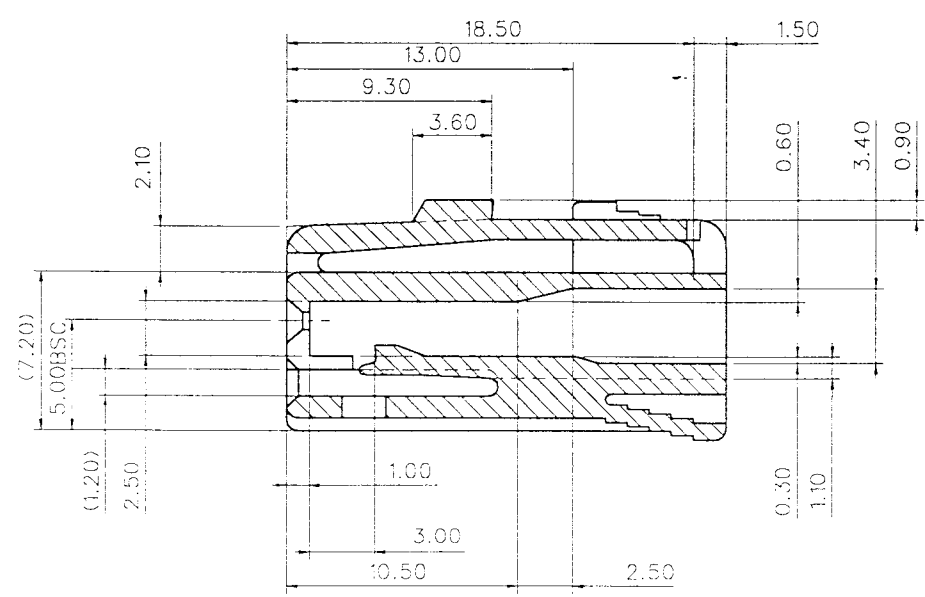
EDP NO.

SIMILAR ITEM

PROJECT NO.

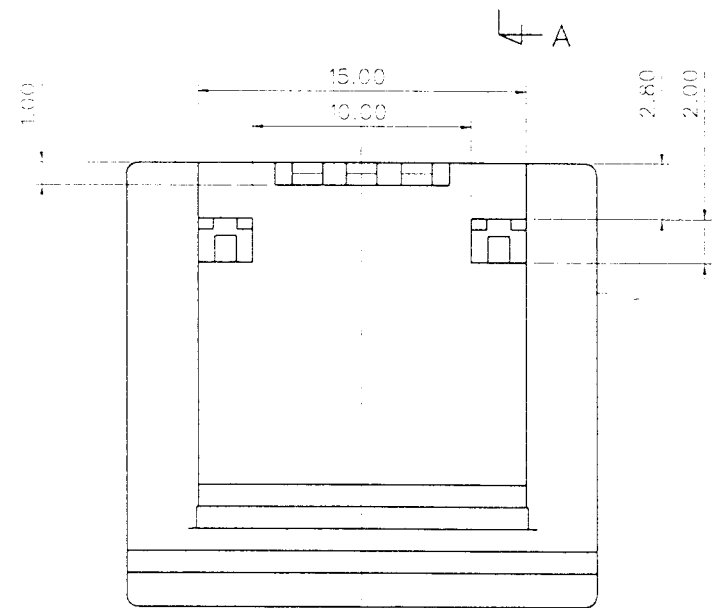
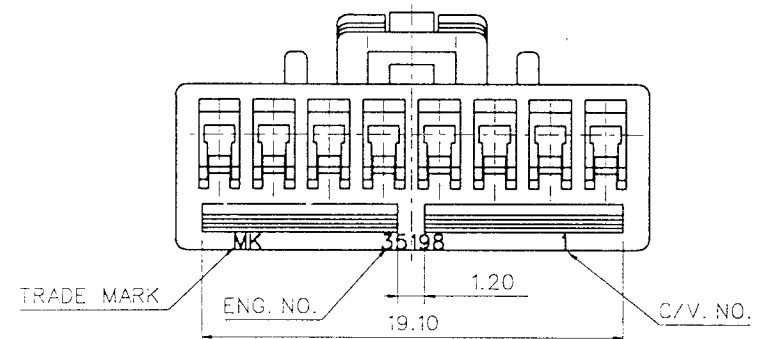
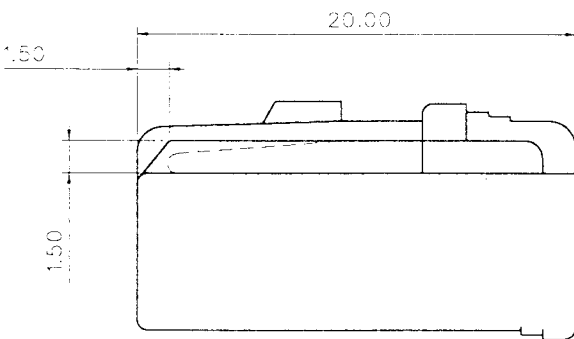
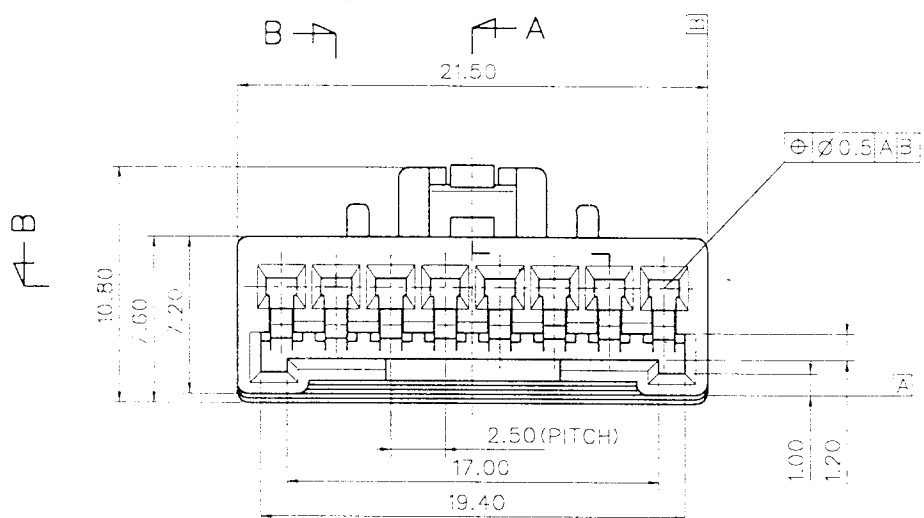


SECTION A-A



NOTE

- 1. MATERIAL: PBT
- COLOR: BLACK
- 4. APPLICABLE TERMINAL: 50418-8*00



MATERIAL		SEE NOTE	MOLEX MOLEX-KOREA CO.,LTD.	
GENERAL TOLERANCE		DIMENSION: ± 0.30	DRAWN BY	CHK'D BY
ANGLE			RHO.195.10.31	B. K. Choi
DIMENSION CLASSIFICATION		APPD BY	SCALE	
▽ CRITICAL ▼ MAJOR			3/1	
NEW RELEASE	98-119 198.10.25	REFERENCE	TITLE	SHEET
ASSY PART		DESCRIPTION: ENG. NO.	050 W/B FEMALE HS'G 8P	1 OF 1
REVISION RECORD		DATE	ENG. NO.	REV
REVISION RECORD		DATE	SD35198-0801	A