

PLEASE CHECK WWW.MOLEX.COM FOR LATEST PART INFORMATION

Part Number: [0684210044](#)
Status: **Active**
Description: Sleeve for Crimp Housing, Blue

Documents:

[Drawing \(PDF\)](#) [RoHS Certificate of Compliance \(PDF\)](#)
[Product Specification PS-68421-001 \(PDF\)](#)

General

Product Family	Accessories
Series	68421
Comments	Y Axis Stopper
Component Type	Boot
Product Name	N/A

Physical

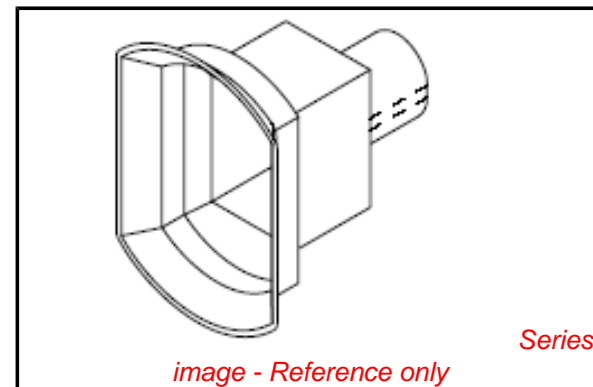
Circuits (Loaded)	N/A
Circuits (maximum)	0
Gender	N/A
Lock to Mating Part	No
Number of Rows	0
Packaging Type	Bag
Polarized to Mating Part	N/A
Temperature Range - Operating	105°C

Material Info

Old Part Number	68421-0030
-----------------	------------

Reference - Drawing Numbers

Product Specification	PS-68421-001
Sales Drawing	SD-68421-001



EU RoHS

**ELV and RoHS
Compliant**
REACH SVHC
 Not Reviewed
**Halogen-Free
Status**
 Not Reviewed

China RoHS



**Need more information on product
environmental compliance?**

Email productcompliance@molex.com
 For a multiple part number RoHS Certificate of
 Compliance, [click here](#)

Please visit the [Contact Us](#) section for any
 non-product compliance questions.

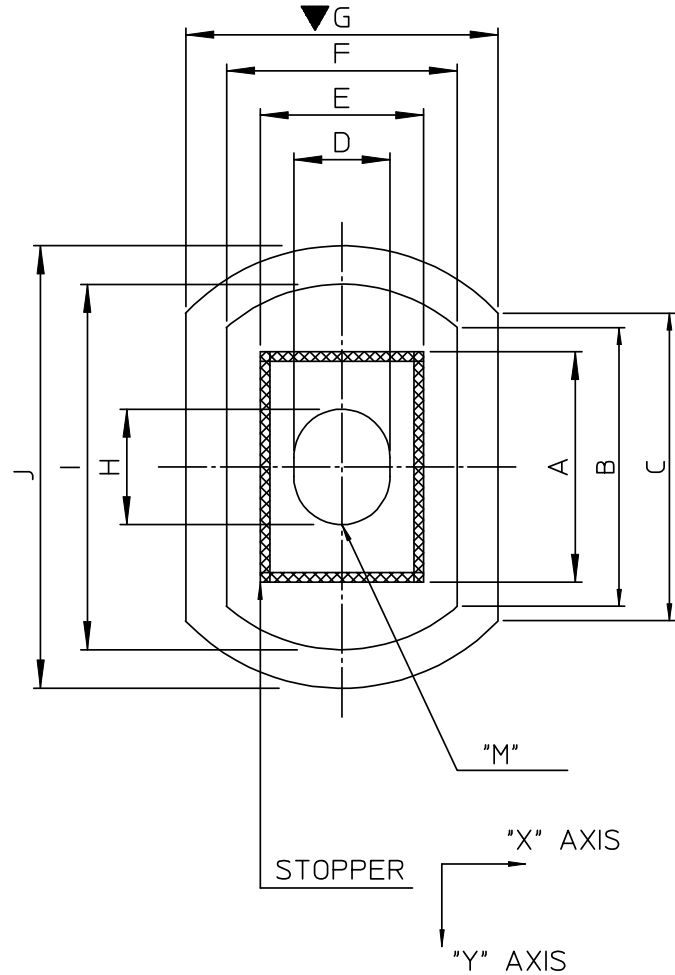
Search Parts in this Series

[68421Series](#)

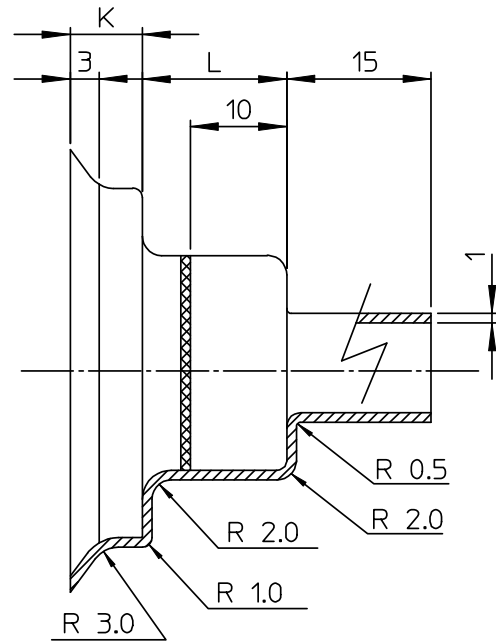
Use With

[35150](#) Wire-to-Wire VersaBlade™ Hybrid
 Plug Housing

MATERIAL NO.	ENG NO.	A	B	C	D	E	F	G	H	I	J	K	L	"M"	STOPPER	APPLICABLE HSG	COLOR
684210030	68421-0030	13.0	16.0	20.0	6.5	8.0	14.0	22.5	6.5	21.5	30.0	6.5	13.5	6.5 HOLE	Y AXIS	35150-0210	TRANSPARENCY
684210040	68421-0040	16.0	17.0	23.5	9.0	17.0	24.0	31.5	9.0	29.5	39.5	7.5	14.5	9.0 HOLE	Y AXIS	35180-0400	TRANSPARENCY
684210050	68421-0050	24.0	29.0	33.0	10.0	17.0	25.5	36.0	10.0	38.0	49.0	7.5	15.0	10.0 HOLE	Y AXIS	35180-0600	TRANSPARENCY
684210034	68421-0034	17.5	18.0	24.5	10.0	13.5	20.5	31.0	10.0	27.7	40.0	9.0	13.5	10.0 HOLE	X AXIS	35150-0410	BLUE
684210044	68421-0044	22.8	22.7	26.7	10.5	18.0	22.0	31.5	10.5	31.5	40.5	8.7	12.5	10.5 HOLE	Y AXIS	35150-0610	BLUE



NOTES
1. MATERIAL : SF-PVC (UL 105)



REVISED EC NO: KOR2008-0170 DRWN: JHPARK01 CHKD: W. YANG APPR: YUNS IKK IM	2008/04/21 2008/04/21 2008/04/22	DESCRIPTION QUALITY SYMBOLS ▽=0 ◻=0	GENERAL TOLERANCES (UNLESS SPECIFIED)		DIMENSION STYLE MM ONLY		SCALE 2:1	DESIGN UNITS METRIC	THIRD ANGLE PROJECTION			
			4 PLACES	± ---	± ---	DRAWN BY JB. JIN	DATE 2002/05/03	TITLE SLEEVE FOR HOUSING (35150,35180)				
			3 PLACES	± ---	± ---	CHECKED BY WY. YANG	DATE 2002/05/03					
			2 PLACES	± 0.25	± ---	APPROVED BY CW. LEE	DATE 2002/05/03	MOLEX INCORPORATED DOCUMENT NO. SD-68421-001 SHEET NO. 1 OF 01				
1 PLACE	± 0.20	± ---	MATERIAL NO. SEE TABLE									
DRAFT WHERE APPLICABLE MUST REMAIN WITHIN DIMENSIONS			ANGULAR ± 1 °		SIZE A3		THIS DRAWING CONTAINS INFORMATION THAT IS PROPRIETARY TO MOLEX INCORPORATED AND SHOULD NOT BE USED WITHOUT WRITTEN PERMISSION					