

PLEASE CHECK WWW.MOLEX.COM FOR LATEST PART INFORMATION

Part Number: [0549270320](#)
Status: **Active**
Description: 5.00mm (.197") Pitch MTC™ Spring Type Receptacle, Lead-free, 3 Circuits Version, White Color

Documents:

[Drawing \(PDF\)](#) [RoHS Certificate of Compliance \(PDF\)](#)
[Product Specification PS-51240-005 \(PDF\)](#)

Agency Certification

CSA LR19980
 UL E29179

General

Product Family Terminal Blocks
 Series [54927](#)
 Application Wire-to-Board
 Component Type Plug
 Product Name MTC™
 Type Euro Block

Physical

Circuits (Loaded) 3
 Circuits (maximum) 3
 Entry Angle Vertical
 Flammability 94V-0
 Lock to Mating Part Yes
 Number of Rows 1
 Orientation Vertical
 Panel Mount No
 Pitch - Mating Interface (in) 0.197 In
 Pitch - Mating Interface (mm) 5.00 mm
 Pitch - Term. Interface (in) 0.197 In
 Pitch - Term. Interface (mm) 5.00 mm
 Polarized to Mating Part Yes
 Shrouded Fully
 Stackable No
 Temperature Range - Operating -30°C to +85°C
 Wire Size AWG 14, 16, 18, 20, 22, 24, 26

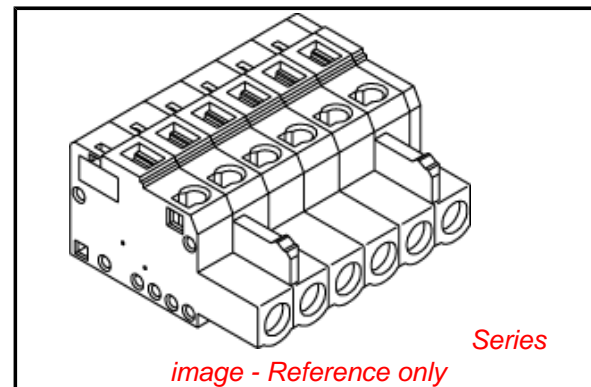
Electrical

Current - Maximum per Contact 16A
 Voltage - Maximum 250V

Material Info

Reference - Drawing Numbers

Product Specification PS-51240-005, RPS-51240-006
 Sales Drawing SD-54927-004



EU RoHS

ELV and RoHS Compliant
REACH SVHC
 Not Reviewed
Halogen-Free Status
Not Reviewed

China RoHS



Need more information on product environmental compliance?

Email productcompliance@molex.com
 For a multiple part number RoHS Certificate of Compliance, [click here](#)

Please visit the [Contact Us](#) section for any non-product compliance questions.

Search Parts in this Series

[54927Series](#)

Mates With

[55757](#)

注記
NOTES:

1. 材質

MATERIAL

- ハウジング、ハウジングカバー

HOUSING, HOUSING COVER

ガラス無しポリブチレンテレフタレート、UL94V-0
POLYBUTYLENE TEREPHTHALATE, GLASS NON FILLED, UL94V-0

色：表参照
COLOR : REFER TO THE CHART

- ターミナル

TERMINAL

銅合金
COPPER ALLOY

- スプリング

SPRING

ステンレス
STAINLESS STEEL

2. メッキ仕様

PLATING

錫メッキ：1.0μm MIN.

TIN PLATING : 1.0 MICROMETER MINIMUM

ニッケルメッキ：1.0μm MIN. (下地メッキ)

NICKEL PLATING : 1.0 MICROMETER MINIMUM (UNDER PLATING)

3. 適用電線範囲：AWG#14～#26

APPLICABLE WIRE : AWG#14～#26

4. 被覆外径：φ3.8 MAX.

INS. DIA. : φ3.8 MAX.

5. 適合レバー：54932-****

APPLIED LEVER : 54932-****

6. 製品番号

MATERIAL NO.

54927-**2*

極数 CIRCUIT SIZE

色 COLOR

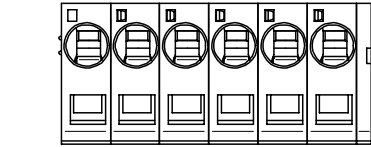
| | |
|----------------|---|
| アイボリー IVORY | 0 |
| 黒 BLACK | 1 |
| 灰 GRAY | 5 |

7. 被覆剥き長さ：8～9mm

INSULATION STRIPPING LENGTH : 8～9mm

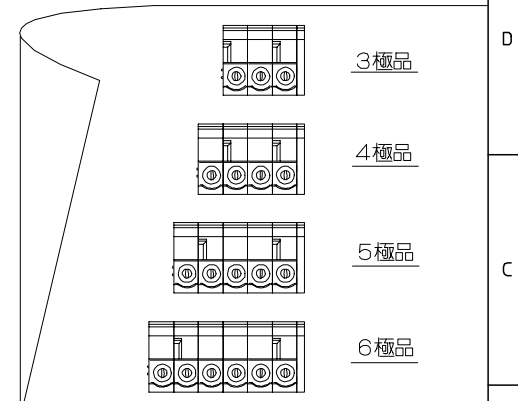
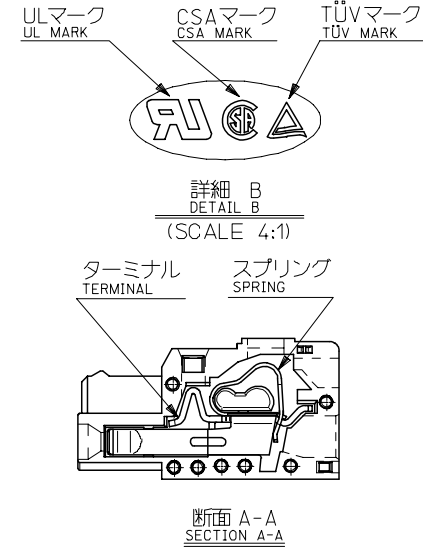
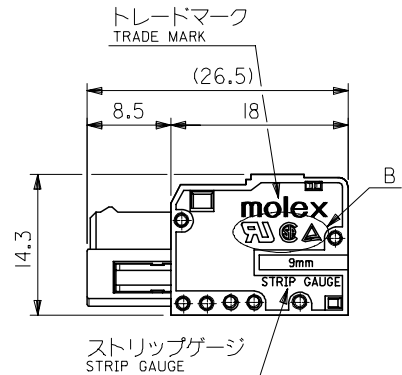
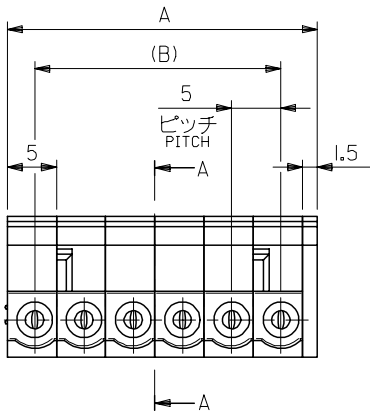
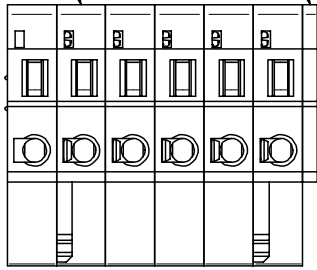
8. 本製品は 54927-**1* の鉛フリー品である。

THIS PRODUCT IS LEAD FREE OF 54927-**1*.



ハウジング
HOUSING

ハウジングカバー
HOUSING COVER

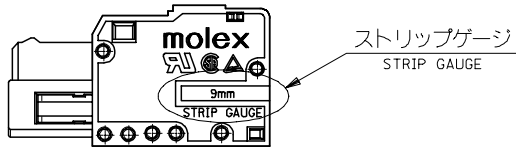


| | | | |
|----|------|----------------------|----------------|
| 25 | 31.5 | 54927-062* | 6 |
| 20 | 26.5 | 54927-052* | 5 |
| 15 | 21.5 | 54927-042* | 4 |
| 10 | 16.5 | 54927-032* | 3 |
| B | A | 製品番号 MATERIAL NO. | 極数 CIRCUITS |

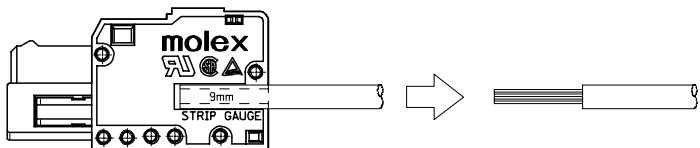
| | | | | | | | |
|--|--|-------|----------------------------|-------------------|---|------------------------|---------------------------|
| RELEASED EC NO: J2006-0310 DRWN: M.NABE1 2005/08/02 CHKD: K.TOYODA 2005/08/02 APPR: N.UKITA 2005/08/09 | GENERAL TOLERANCES (UNLESS SPECIFIED) | | DIMENSION STYLE MM ONLY | | SCALE 2:1 | DESIGN UNITS METRIC | THIRD ANGLE PROJECTION |
| | 10 UNDER | ±0.2 | DRAWN BY M.NABE1 | DATE '05/07/27 | | | |
| | 10 OVER 30 UNDER | ±0.25 | CHECKED BY K.TOYODA | DATE '05/07/27 | | | |
| | 30 OVER | ±0.3 | APPROVED BY N.UKITA | DATE '05/07/27 | | | |
| | ANGULAR | ±3 ° | MATERIAL NO. SEE CHART | | DOCUMENT NO. SD-54927-004 | SHEET NO. 1 OF 2 | |
| 0 | DRAFT WHERE APPLICABLE MUST REMAIN WITHIN DIMENSIONS | | SIZE A3 | | THIS DRAWING CONTAINS INFORMATION THAT IS PROPRIETARY TO MOLEX INCORPORATED AND SHOULD NOT BE USED WITHOUT WRITTEN PERMISSION | | |

ストリップゲージの使用法
USE OF STRIP GAUGE

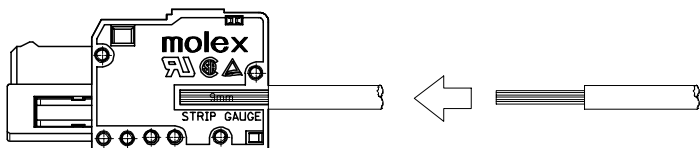
ハウジングカバーに付いているストリップゲージは、以下のご使用下さい。
PLEASE USE THE STRIP GAUGE WHICH HAS ADHERED TO THE HOUSING COVER AS SHOWN
IN THE FIGURE BELOW.



1. 電線をストリップゲージに合わせ被覆を剥く。
THE ELECTRIC WIRE IS MATCHED TO THE STRIP GAUGE, AND STRIPPING INSULATION.



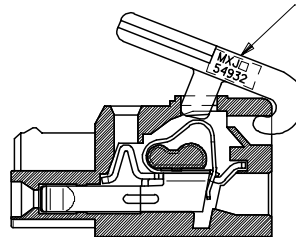
2. 既に被覆を剥いた電線をストリップゲージに合わせ被覆剥き長さを確認する。
THE ELECTRIC WIRE WHICH HAS ALREADY PEELLED OFF INSULATION IS MATCHED TO THE
STRIP GAUGE, AND THE STRIPPING LENGTH IS CONFIRMED.



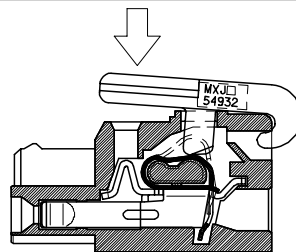
※ 被覆剥き長さ：8～9mm
STRIPPING LENGTH : 8~9mm

結線方法
METHOD OF CONNECTING WIRES

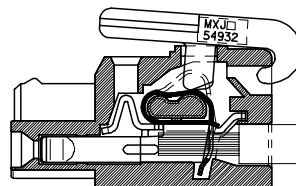
結線レバー
LEVER
54932-****



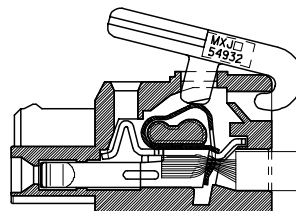
1. 結線レバーをハウジングに装着する。(脱着自在)
THE LEVER OF CONNECTING WIRES IS INSTALLED IN THE HOUSING.
(DETACHING IS FREE)



2. 結線レバーを矢印方向に押す。
THE LEVER OF CONNECTING WIRES IS PUSHED IN THE DIRECTION
OF THE ARROW.



3. 結線レバーを押しのまま電線を矢印方向に挿入する。
THE ELECTRIC WIRE IS INSERTED IN THE DIRECTION OF THE ARROW
WITH THE LEVER OF CONNECTING WIRES PUSHED.



4. 結線レバーを放す。
THE LEVER OF CONNECTING WIRES IS RELEASED.

| | | | | | | |
|---|--|--|----------------------------|------------------------------|--|---------------------------|
| RELEASED EC NO: J2006-0310 DRWN: NABEI CHKD: K. TOYODA APPR: NUKITA 2005/08/02 2005/08/02 2005/08/09 | GENERAL TOLERANCES (UNLESS SPECIFIED) | | DIMENSION STYLE MM ONLY | SCALE 2:1 | DESIGN UNITS METRIC | THIRD ANGLE PROJECTION |
| | 10 UNDER | ± 0.2 | DRAWN BY M. NABEI | DATE '05/07/27 | TITLE MTC (MULTI TERM CONN) 5MM REC HSG ASSY -LEAD FREE- | |
| | 10 OVER 30 UNDER | ± 0.25 | CHECKED BY K. TOYODA | DATE '05/07/27 | | |
| | 30 OVER | ± 0.3 | APPROVED BY N. UKITA | DATE '05/07/27 | MOLEX INCORPORATED | |
| | ANGULAR | ± 3 ° | MATERIAL NO. | DOCUMENT NO. SD-54927-004 | | |
| 0 | REV | DRAFT WHERE APPLICABLE MUST REMAIN WITHIN DIMENSIONS | | SIZE A3 | THIS DRAWING CONTAINS INFORMATION THAT IS PROPRIETARY TO MOLEX INCORPORATED AND SHOULD NOT BE USED WITHOUT WRITTEN PERMISSION | |