

PLEASE CHECK WWW.MOLEX.COM FOR LATEST PART INFORMATION

Part Number: [0016021114](#)
Status: **Active**
Overview: [cgrid_sl_products](#)
Description: SL™ Crimp Terminal, Series 71851, Female, with Tin (Sn) Plated Contact, 22-24 AWG, Bag

Documents:

[Drawing \(PDF\)](#) [Product Specification PS-71851 \(PDF\)](#)
[Product Specification PS-70400 \(PDF\)](#) [RoHS Certificate of Compliance \(PDF\)](#)

General

Product Family Crimp Terminals
 Series [71851](#)
 Crimp Quality Equipment Yes
 Overview [cgrid_sl_products](#)
 Product Name SL™

Physical

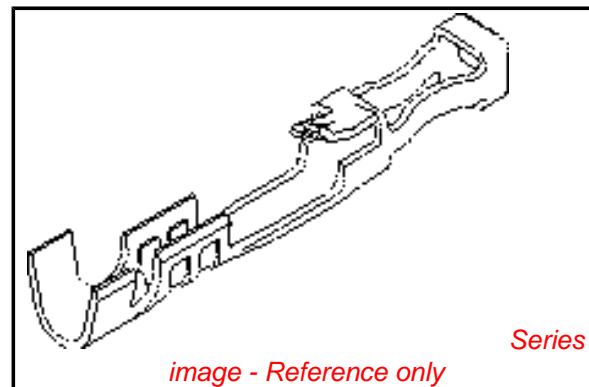
Gender Female
 Material - Metal Phosphor Bronze
 Material - Plating Mating Tin
 Material - Plating Termination Tin
 Packaging Type Bag
 Plating min: Mating (µin) 150
 Plating min: Mating (µm) 3.75
 Plating min: Termination (µin) 75
 Plating min: Termination (µm) 1.88
 Termination Interface: Style Crimp or Compression
 Wire Insulation Diameter 1.63mm (.064") max.
 Wire Size AWG 22, 24
 Wire Size mm² N/A

Material Info

Old Part Number 71851-0222

Reference - Drawing Numbers

Packaging Specification PK-70873-0822
 Product Specification PS-70400, PS-71851
 Sales Drawing SD-71851-0222



EU RoHS

**ELV and RoHS
 Compliant**
**REACH SVHC
 Contains SVHC: No**
**Halogen-Free
 Status**

China RoHS



**Need more information on product
 environmental compliance?**

Email productcompliance@molex.com
 For a multiple part number RoHS Certificate of Compliance, [click here](#)

Please visit the [Contact Us](#) section for any non-product compliance questions.

Search Parts in this Series

[71851Series](#)

Application Tooling | [FAQ](#)

Tooling specifications and manuals are found by selecting the products below. Crimp Height Specifications are then contained in the Application Tooling Specification document.

Global

Description	Product #
Hand Crimp Tool	0638118700
Insertion Tool	0011020022

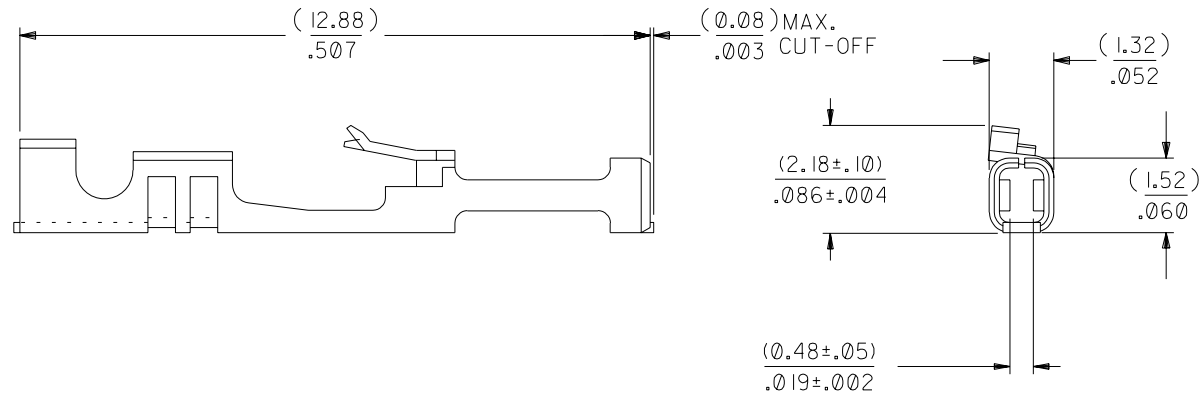
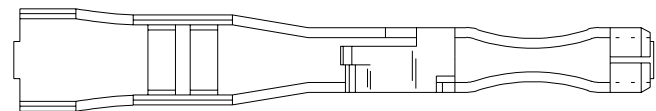
NOTES:

1. TERMINAL TO BE USED IN HOUSINGS 70066-**** AND 70450-****
2. REFER TO PRODUCT SPECIFICATION PS-71851
3. REFER TO MOLEX OPERATIONS AND SERVICE MANUAL FOR CRIMP DETAILS
4. TERMINAL TO BE USED WITH (0.64)/.025 SQUARE PINS
5. TERMINAL TO BE USED WITH 22-24 AWG STRANDED WIRE WITH (1.63)/.064 MAX. DIA. INSULATION
6. TERMINALS SUPPLIED LOOSE PER DRAWING PK-70873-0822

PLATING:

.000150 MINIMUM TIN PLATE
OVER NICKEL PLATE.

*THE PRIMARY SHIPPING CARTON WILL BE LABELED "COMPLIANT TO RoHS DIRECTIVE 2002/95/EC AND ELV ANNEX II OF DIRECTIVE 2000/53/EC". CARTONS WITHOUT THIS LABEL MAY CONTAIN PRODUCT WITH LEAD.



		C1	REVISED PER ECR #U70928 MCGRATH 97/06/26
C	LEAD FREE UCP2004-1769 RWHITE 04/03/24	C	164 PLATING WAS 102 PER ECR # U31149 08/17/93 REED
C2	REVISED ECR #U80270 MCGRATH 97/07/31	B	REVISE PER ECR #U80064 3/25/88 MJM
LTR.	REVISIONS	LTR.	REVISIONS

DIMENSIONS SHOWN (METRIC) INCH	
UNLESS OTHERWISE SPECIFIED TOLERANCES: ANGULAR ± 1/2°	
3 PLACE	± .010 ---
2 PLACE	± .014 ± 0.25
1 PLACE	--- ± 0.35
DRAFT WHERE APPLICABLE MUST REMAIN WITHIN DIMENSIONS	
DRWG. BY: MJM	CHK'D. BY: MJM
APP'D. BY: WAZ	SCALE: 10:1

▽ = 0 ▼ = 0		REVISE ONLY ON CAD SYSTEM	
TITLE: TERMINAL-BOX/CRIMP HIGH FORCE CONTACT			
MOLEX INCORPORATED LISLE, ILL. 60532 U.S.A.		SHEET NO. 1	DATE 03/25/88
PART NO. 016-02-1114		DRWG. NO. SD-71851-0222	
FILE NAME: S71851X4	THIS DRAWING CONTAINS INFORMATION THAT IS PROPRIETARY TO MOLEX INC. AND SHOULD NOT BE USED WITHOUT WRITTEN PERMISSION.		DIV. DA SIZE B