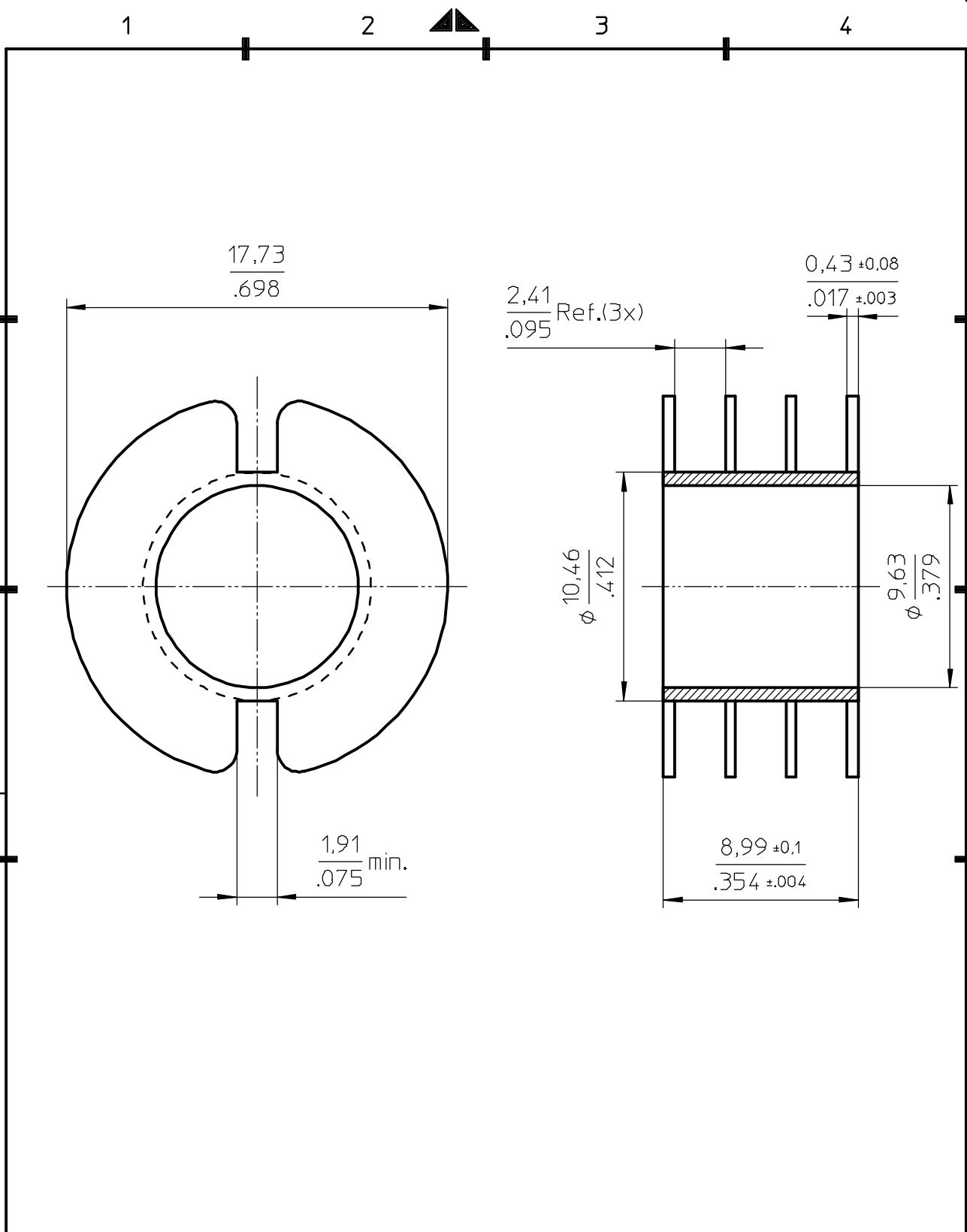
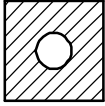


FERROXCUBE



Coil former material: Delrin 500 (POM).
 UL file number: E66288 - UL94HB.
 max. operating temp: 130°C

CP-P22/13-3S-A		4335 000 26121		01-06-01
				02-11-04
NAME NAAM	JON	SUPERS. VERV	1 SH BL	SH BL
MPA	CHECK CONTR.	DAT.	Property of Eigendom van	© FERROXCUBE 2002
			112 - 001	A4